



# SERVICE PARTS LIST

**BULLETIN NO.**  
**54-06-0451**

SPECIFY CATALOG NO. AND SERIAL NO. WHEN ORDERING PARTS		REVISED BULLETIN	DATE
D.I. 1/2" ANGLE DRILL		54-06-0450	Apr.'93
CATALOG NO.	0379-1	WIRING INSTRUCTION	
STARTING SERIAL NO.	761A	58-01-0372	

**EXAMPLE:**  
Component Parts ( Small #)  
Are Included When Ordering  
The Assembly (Large #).

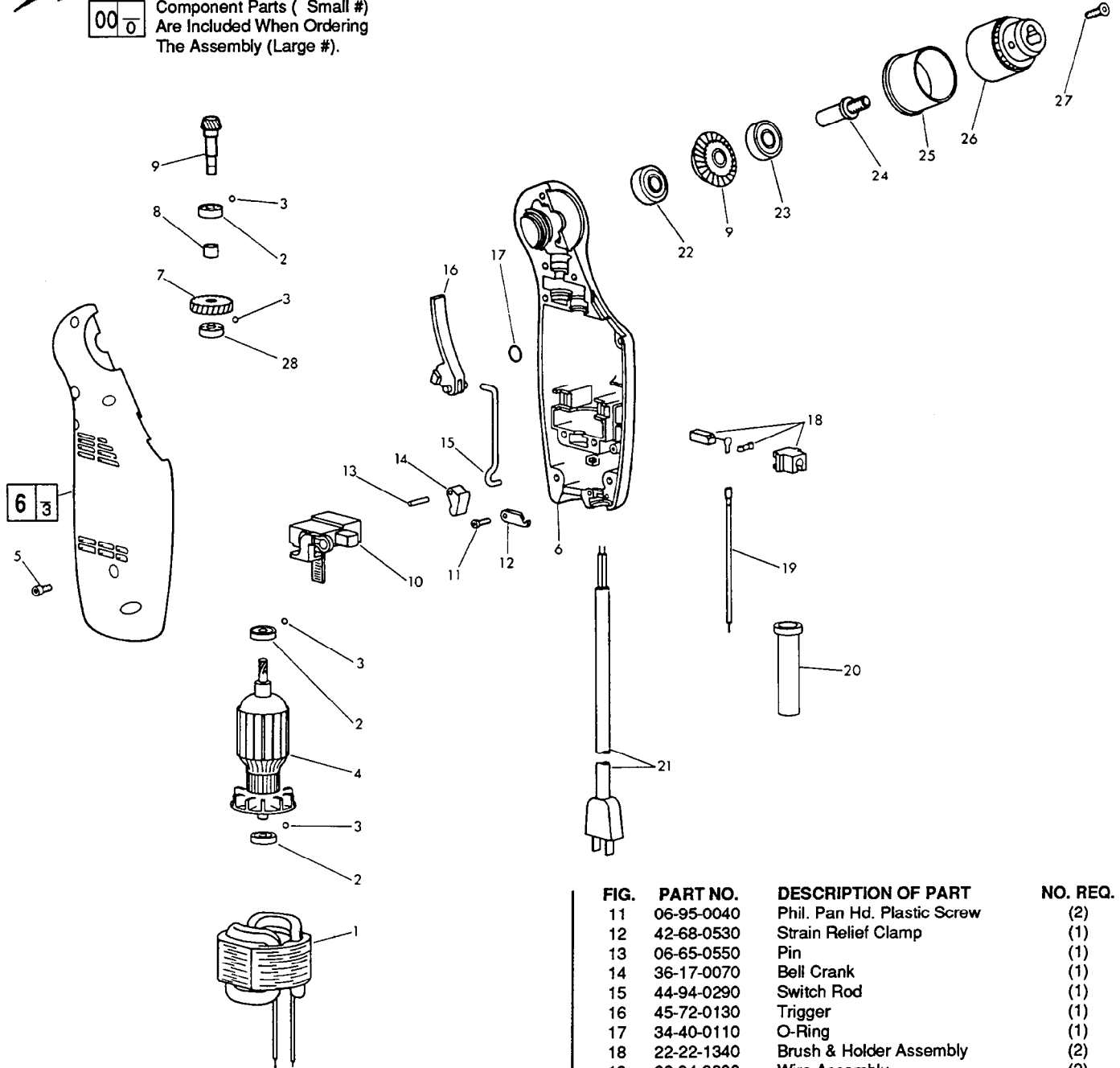


FIG.	PART NO.	DESCRIPTION OF PART	NO. REQ.
1	18-10-0110	115 V. Field	(1)
	02-04-0300	Ball Bearing	(3)
	02-02-1500	1/8" Rubber Ball	(4)
	16-10-0640	115 V. Armature	(1)
	05-74-0400	M4 x .7 x 10 Socket Hd. Cap Screw	(8)
6	31-50-0456	Housing Assy.	(1)
★ 7	32-42-1151	Helical Gear	(1)
8	45-36-1230	Spacer	(1)
9	32-60-2390	Gear & Pinion Assembly	(1)
10	23-66-1375	Switch	(1)

FIG.	PART NO.	DESCRIPTION OF PART	NO. REQ.
	11	06-95-0040 Phil. Pan Hd. Plastic Screw	(2)
	12	42-68-0530 Strain Relief Clamp	(1)
	13	06-65-0550 Pin	(1)
	14	36-17-0070 Bell Crank	(1)
	15	44-94-0290 Switch Rod	(1)
	16	45-72-0130 Trigger	(1)
	17	34-40-0110 O-Ring	(1)
	18	22-22-1340 Brush & Holder Assembly	(2)
	19	23-94-9800 Wire Assembly	(2)
	20	44-76-0160 Cord Protector	(1)
	21	22-64-0830 Cord Set	(1)
★	22	02-04-0911 Ball Bearing	(1)
	23	02-04-1000 Ball Bearing	(1)
	24	38-50-5521 Output Shaft	(1)
	25	43-54-0670 Chuck Shroud	(1)
	26	48-66-2100 1/2" Chuck	(1)
	27	05-74-0514 M5 x .8x 20 L.H. Chuck Screw	(1)
	28	02-04-0450 Ball Bearing	(1)
		48-66-3480 Chuck Key	(1)
★		12-20-0320 Service Nameplate Kit	(1)
★		10-15-0260 Fwd./Rev. Label	(1)

**MILWAUKEE ELECTRIC TOOL CORPORATION**  
13135 W. LISBON RD., BROOKFIELD, WI 53005