



# SERVICE PARTS LIST

**BULLETIN NO.**  
**54-06-0581**

SPECIFY CATALOG NO. AND SERIAL NO. WHEN ORDERING PARTS		REVISED BULLETIN 54-06-0580	DATE Feb. '87
<b>D.I. 3/8" ANGLE DRILL</b>		WIRING INSTRUCTION 58-01-0372	
CATALOG NO. 0375-1	STARTING SERIAL NO. 611-30000		

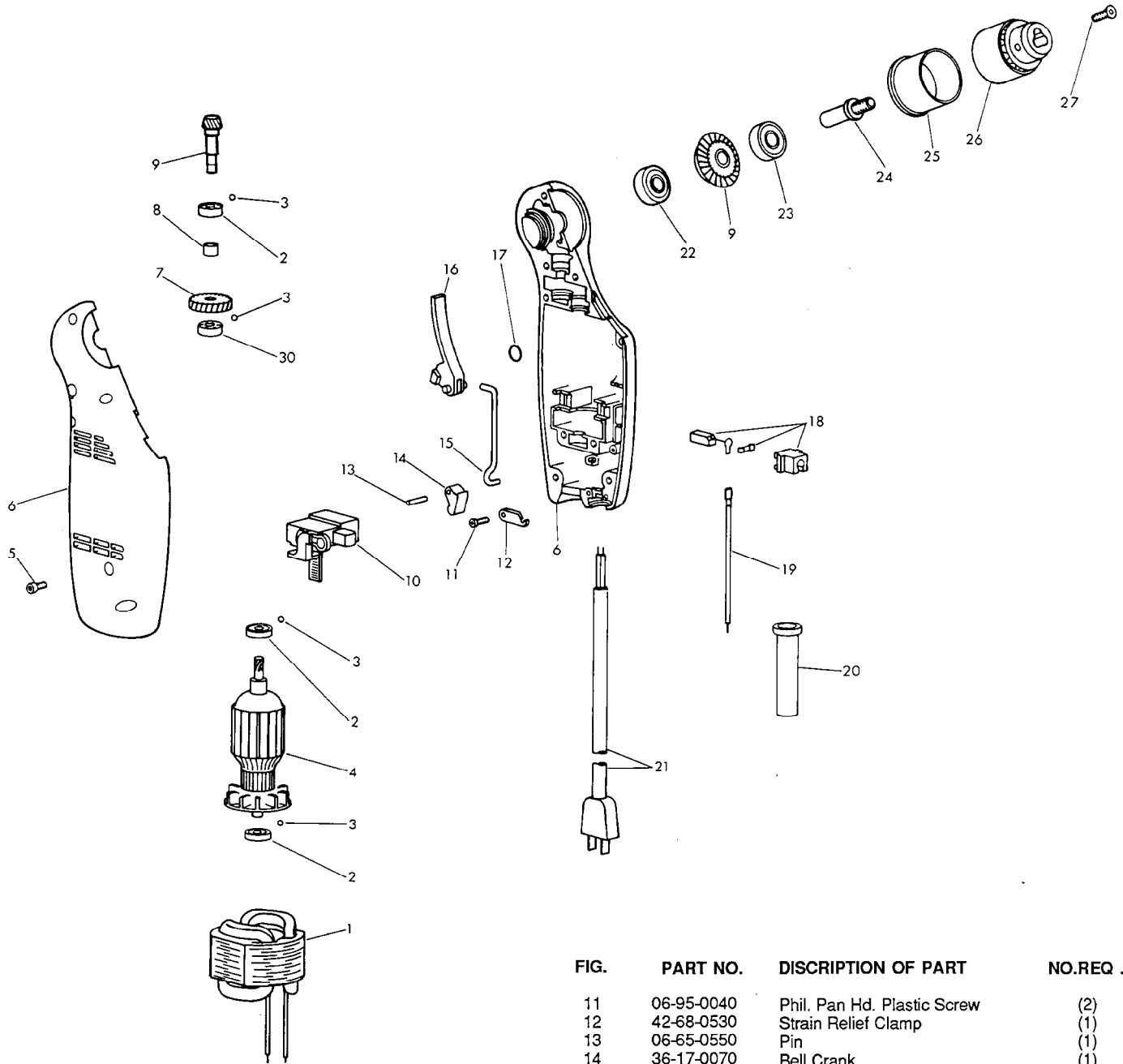


FIG.	PART NO.	DISCRIPTION OF PART	NO.REQ .
1	18-10-0110	115 V. Field	(1)
2	02-04-0300	Ball Bearing	(3)
3	02-02-1500	1/8" Rubber Ball	(4)
4	16-10-0330	115 V. Armature	(1)
5	05-74-0400	M4 x .7 x10 Socket Hd. Cap Screw	(8)
★6	31-50-0456	Housing Assy. (L.H. & R.H. Halves & Fig. No. 3)	(1)
★7	32-42-1151	Helical Gear	(1)
8	45-36-1230	Spacer	(1)
★9	32-60-2171	Gear & Pinion Assembly	(1)
10	23-66-1375	Switch	(1)

FIG.	PART NO.	DISCRIPTION OF PART	NO.REQ .
11	06-95-0040	Phil. Pan Hd. Plastic Screw	(2)
12	42-68-0530	Strain Relief Clamp	(1)
13	06-65-0550	Pin	(1)
14	36-17-0070	Bell Crank	(1)
15	44-94-0290	Switch Rod	(1)
16	45-72-0130	Trigger	(1)
17	34-40-0110	O-Ring	(1)
18	22-22-1340	Brush & Holder Assembly	(2)
19	23-94-9800	Wire Assembly	(2)
20	44-76-0160	Cord Protector	(1)
21	22-64-0830	Cord Set	(1)
★22	02-04-0912	Ball Bearing	(1)
★23	02-04-1000	Ball Bearing	(1)
★24	38-50-5521	Output Shaft	(1)
25	43-54-0525	Chuck Schroud	(1)
26	48-66-0795	3/8" Chuck	(1)
27	05-74-0514	M5 x .8 x20 L.H. Chuck Screw	(1)
28	48-66-3240	Chuck Key (Not Shown)	(1)
29	12-15-1631	Service Nameplate (Not Shown)	(1)
★30	02-04-0450	Ball Bearing	(1)

**MILWAUKEE ELECTRIC TOOL CORPORATION**  
13135 W. LISBON RD., BROOKFIELD, WIS. 53005