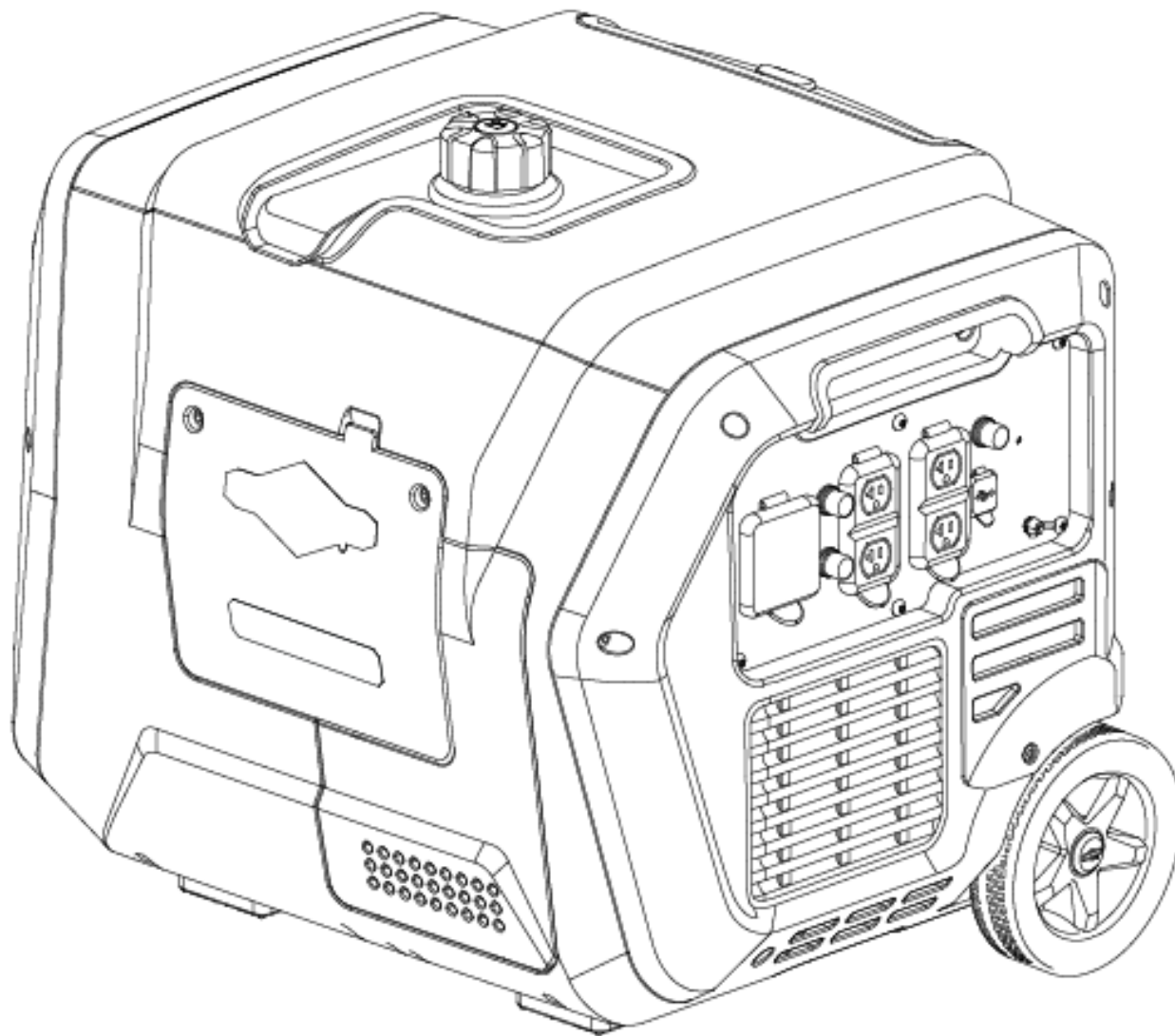




Parts Manual

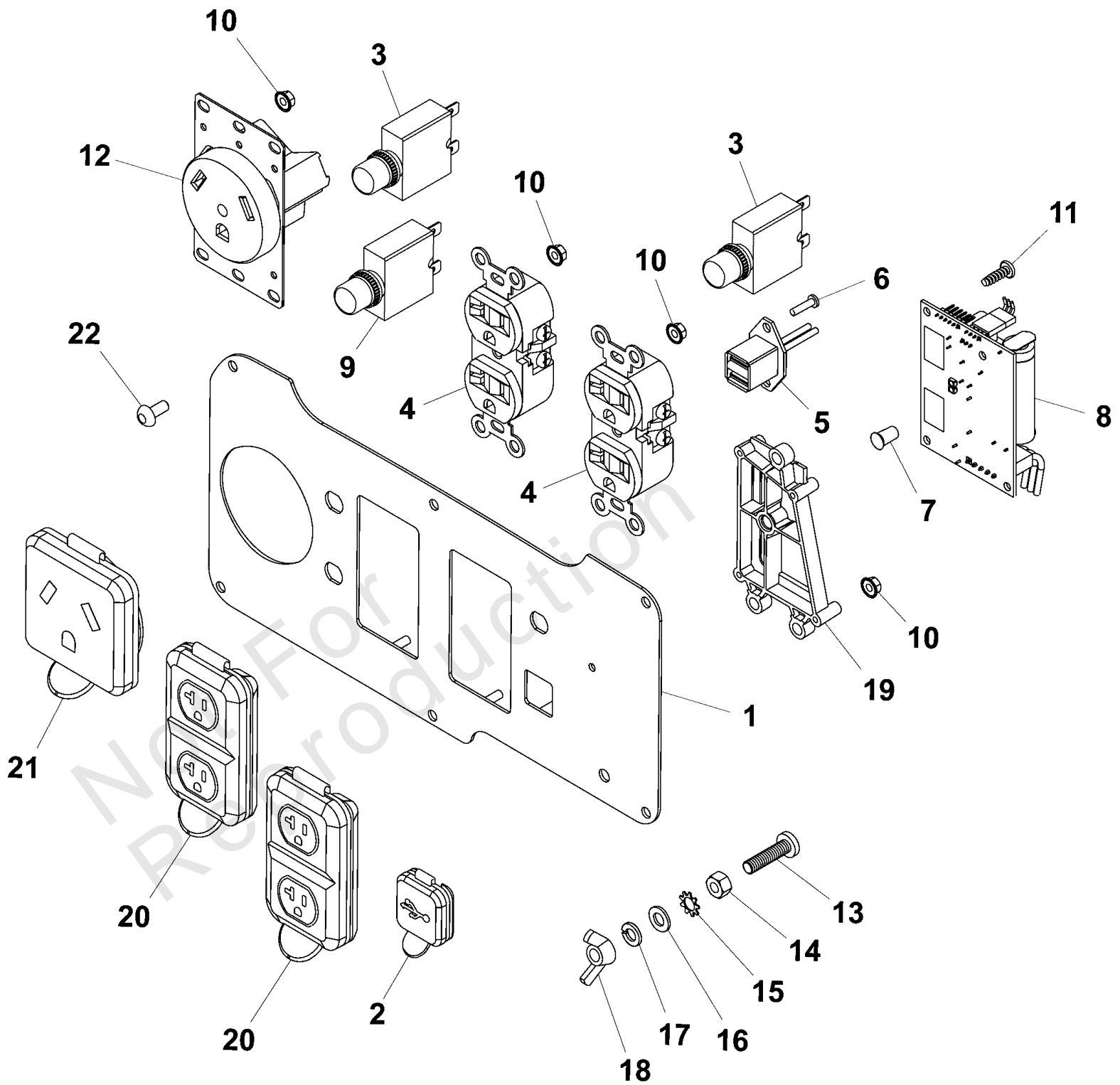
Mfg. No: 030814-00
4,500 Watt Briggs & Stratton Portable
Generator Inverter, 50 State



Control Panel

Note: Unless noted otherwise, use the standard torque specifications

Mfg. No: 030814-00



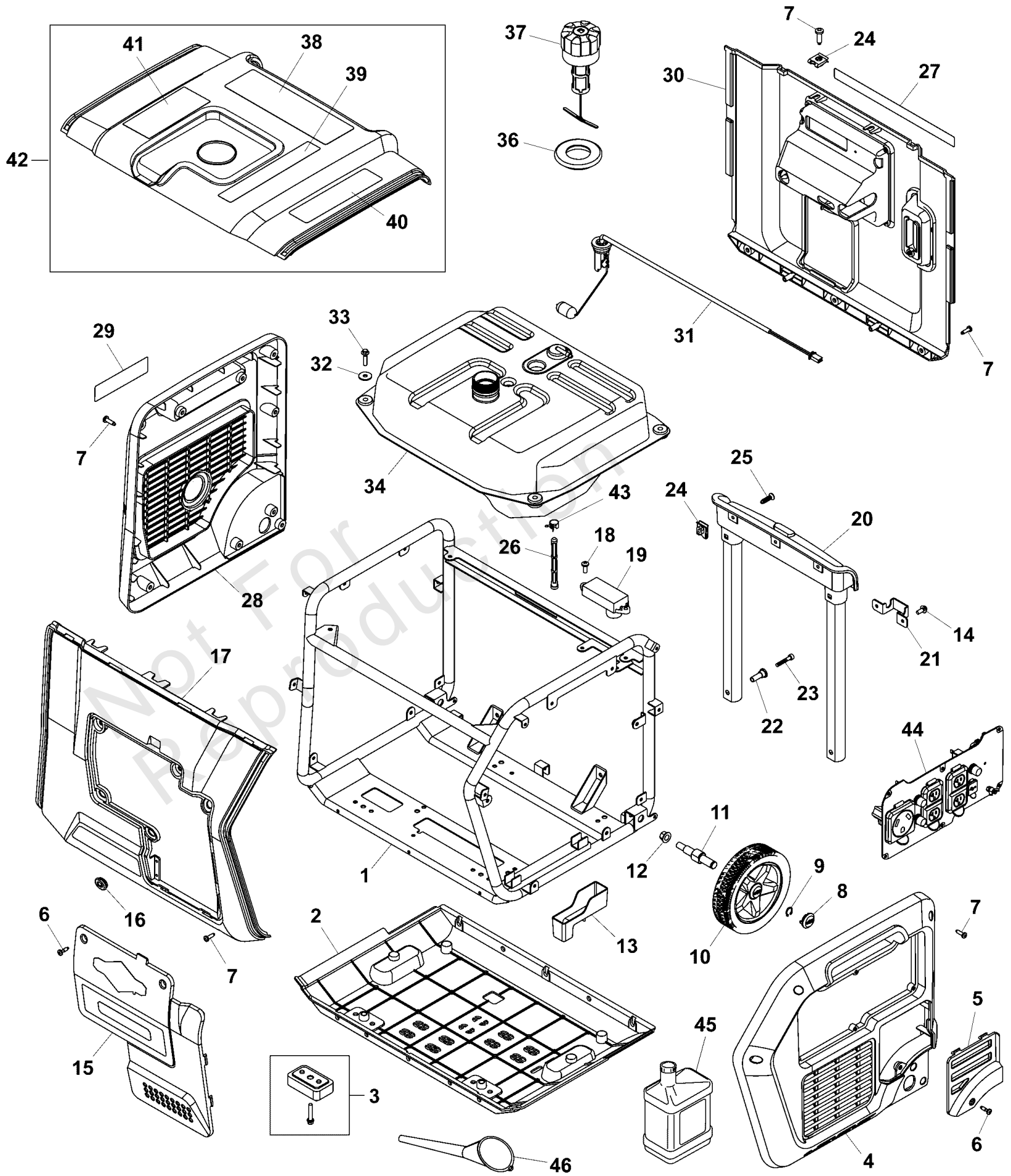
Control Panel

REF NO	PART NO	QTY	DESCRIPTION
1	84005458	1	PANEL-CONTROL
2	84002981	1	COVER-USB
3	84005455	2	BREAKER-CIRCUIT, 20A
4	68759GS	2	OUTLET, 120V, 20Amp, Duplex
5	84003013	1	PORT-USB
6	75475GS	2	SCREW
7	772217	1	LIGHT-PIPE
8	84004007	1	MODULE-CO
9	84005457	1	BREAKER-CIRCUIT, 30A
10	795016	11	NUT
11	84001081	4	SCREW
12	318065GS	1	OUTLET-RV
13	84003035	1	SCREW
14	84003038	1	NUT
15	84003039	1	WASHER-SERRATED
16	84003037	1	WASHER-FLAT
17	84003036	1	WASHER-LOCK
18	84002979	1	WING NUT
19	84002980	1	BRACKET-CO
20	84002978	2	COVER-OUTLET
21	84002977	1	COVER-OUTLET
22	84003033	6	SCREW

Main Unit P1

Note: Unless noted otherwise, use the standard torque specifications

Mfg. No: 030814-00



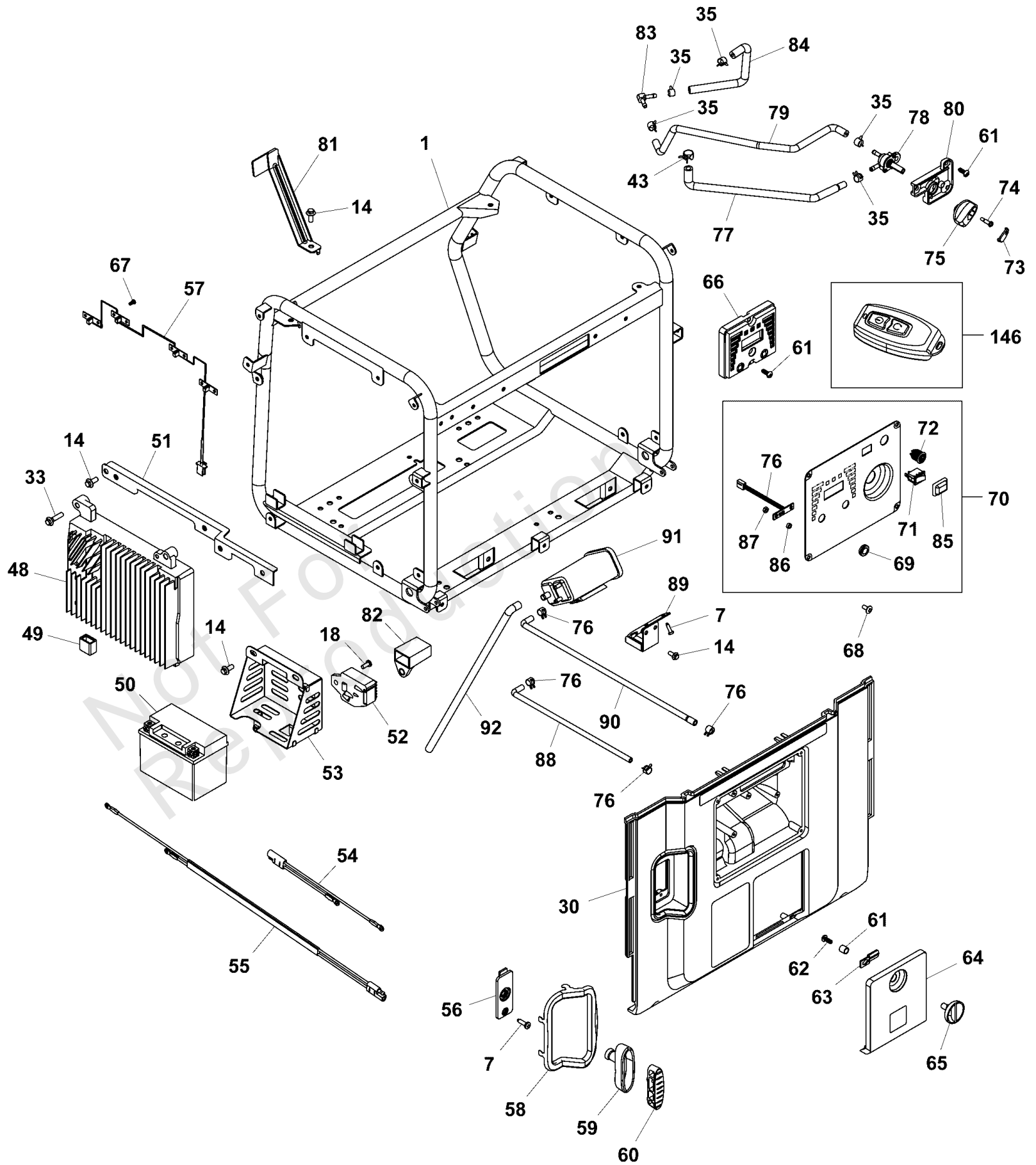
Main Unit P1

REF NO	PART NO	QTY	DESCRIPTION
1	84005416	1	CRADLE
2	84002938	1	PANEL-BOTTOM
3	84002939	1	FOOT-RUBBER
4	84002911	1	PANEL-SIDE
5	84002974	1	PANEL-BATTERY
6	84002976	2	SCREW
7	84002910	5	SCREW
8	706065	2	HUBCAP
9	771593	2	E-RING
10	319940GS	2	WHEEL -(Includes Item 8)
11	84002909	2	AXLE
12	709938	2	NUT-M10 FLANGE LOCK
13	84002954	1	TRAP-DRAIN
14	706865	4	SCREW, M6 x 18
15	84002912	1	PANEL-ACCESS
16	84002917	5	GROMMET
17	84002916	1	PANEL-BACK
18	91526GS	2	MACHINE SCREW, Phillips Pn Hd
19	84002951	1	CONTROLLER-IGNITION
20	84002960	1	ASSY-HANDLE
21	84002968	2	BRACKET
22	84002969	2	BUSHING
23	191364GS	2	SCREW
24	84002982	2	NUT-SPECIAL
25	84002961	3	SCREW
26	707168	1	FILTER-FUEL TANK
27	84005439	1	DECAL
28	84002920	1	PANEL-MUFFLER -(Includes Item 29)
29	84002468	1	DECAL
30	84005449		PANEL-FRONT -(Includes Item 27)
31	84002946	1	GAUGE-FUEL
32	316506GS	4	WASHER-FLAT
33	706866	4	SCREW
34	84002947	1	TANK-FUEL -(Includes Item 26 & 31)
36	84002943	1	GROMMET-FUEL
37	84002942	1	CAP-FUEL
38	84001051	1	DECAL
39	772237	1	DECAL
40	84005448	1	DECAL
41	84001068	1	DECAL
42	84005450	1	PANEL-TOP
43	84002949	2	CLAMP
44	84005562	1	ASSY-CONTROL PANEL
45	100005	1	OIL-4 CYCLE 30W 18OZ.
46	706357	1	FUNNEL

Main Unit P2

Note: Unless noted otherwise, use the standard torque specifications

Mfg. No: 030814-00



Main Unit P2

REF NO	PART NO	QTY	DESCRIPTION
1	84005416	1	CRADLE
7	84002910	1	SCREW
14	706865	1	SCREW, M6 x 18
18	91526GS	2	MACHINE SCREW, Philips Pn Hd
30	84005418	1	PANEL-FRONT
33	706866	2	SCREW
35	48031GGS	5	Clamp, Hose band
43	84002949	1	CLAMP
48	84002918	1	CONTROLLER
49	84002919	2	FOOT-RUBBER
50	----	1	BATTERY- LEOCH EBZ4.53 (4AH)
51	84002937	1	BRACKET-CONTROLLER
52	84005421	1	RECTIFIER
53	84002936	1	BRACKET-BATTERY
54	84002934	1	HARNESS-BATTERY
55	84002935	1	HARNESS-BATTERY
56	84002973	1	PANEL-RECOIL
57	84002921	1	ASSY-LED
58	84002972	1	COVER-ROPE
59	84002971	1	GRIP-RECOIL
60	311414GS	1	INSERT, Grip
61	84002962	2	SCREW
62	84002927	1	SLEEVE
63	84002928	1	LATCH-HOOK
64	84002929	1	COVER-OIL
65	84002930	1	KNOB
66	84005420	1	ASSY-GAUGE DISPLAY
67	197958GS	8	SCREW, Tapping, 3 x 6
68	84002923	4	SCREW
69	84002955	3	RUBBER-BUTTON
70	84005426	1	ASSY-PANEL DISPLAY
71	87799GS	1	SWITCH, Rocker On/Off
72	84002990	1	METAL-BUTTON
73	311377GS	1	COVER, Knob
74	84002926	1	SCREW
75	84002925	1	KNOB-FUEL VALVE
76	84005154	1	ASSY-LED
77	84002950	1	HOSE-FUEL
78	84002959	1	VALVE-FUEL
79	84002967	1	HOSE-FUEL
80	84002964	1	BRACKET
81	84002953	1	BRACKET-SUPPORT
82	84005262	1	RECTIFIER
83	84003045	1	CONNECTOR
84	84005425	1	HOSE-FUEL
85	84005434	1	COVER-RUBBER
86	84005438	1	SPACER
87	84005436	1	NUT
88	84005454	1	HOSE-VAPOR
89	84005424	1	BRACKET
90	84005453	1	HOSE-VAPOR

Main Unit P2

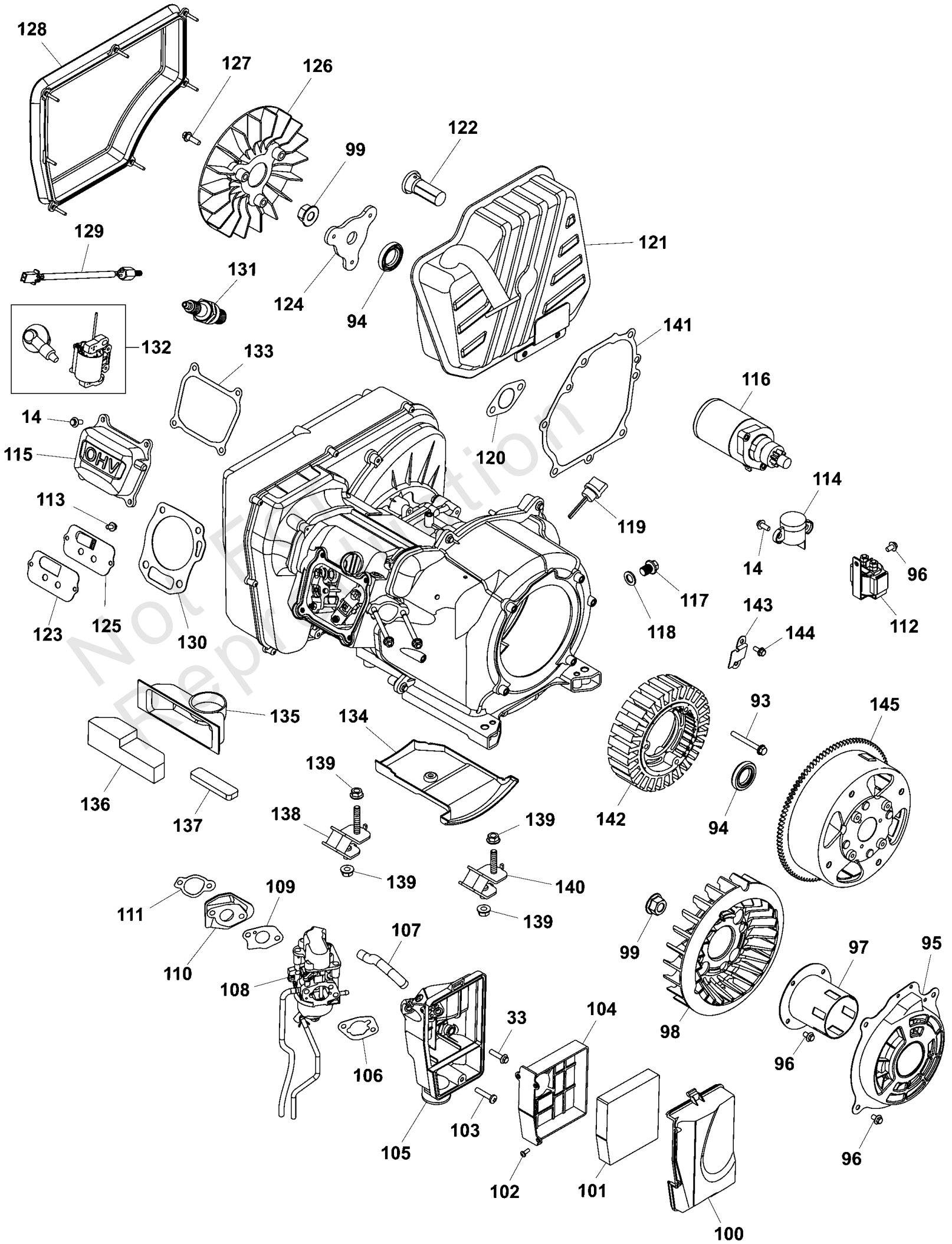
REF NO	PART NO	QTY	DESCRIPTION
91	84005423	1	CANISTER-CARB
92	84005452	1	HOSE-VAPOR
146	84006175	1	FOB-KEY

Not For Reproduction

Main Unit P3 Engine

Note: Unless noted otherwise, use the standard torque specifications

Mfg. No: 030814-00



Main Unit P3 Engine

REF NO	PART NO	QTY	DESCRIPTION
14	706865	4	SCREW, M6 x 18
33	706866	2	SCREW
93	84002506	4	BOLT
94	84002505	1	SEAL
95	84002488	1	RECOIL
96	771769	4	SCREW
97	84002495	1	CUP-RECOIL
98	84002479	1	FAN-COOLING
99	84002502	4	NUT
100	84002510	1	COVER-AIR CLEANER
101	84001978	1	ELEMENT
102	75475GS	3	SCREW
103	21496GS	1	PPHMS, M6-1.0 X 30, ZP
104	84002511	1	FRAME-ELEMENT
105	84002509	1	BASE-AIR CLEANER
106	84002486	1	GASKET
107	84002493	1	HOSE-BREATHER
108	84002500	1	CARBURETOR
109	84002485	1	GASKET
110	84002480	1	INSULATOR
111	84002481	1	GASKET
112	84002499	1	RELAY
113	84002508	2	BOLT
114	84002492	1	SENSOR-LOW OIL
115	84002498	1	COVER-CYLINDER HEAD
116	84002489	1	STARTER MOTOR
117	84002504	1	BOLT-OIL DRAIN
118	84002503	1	WASHER
119	84002491	1	DIPSTICK-OIL
120	84002484	1	GASKET-EXHAUST
121	84002517	1	MUFFLER -(Includes Item 122)
122	703189	1	ARRESTOR-SPARK
123	84002515	1	GASKET
124	84002482	1	BRACKET
125	84002516	1	PLATE-VALVE
126	84002483	1	FAN-COOLING
127	84002514	3	BOLT
128	84002501	1	HOUSING
129	84002513	1	SENSOR-TEMPERATURE
130	84002507	1	GASKET-CYLINDER HEAD
131	84001980	1	SPARKPLUG
132	84002490	1	ASSY, COIL IGNITION
133	84002496	1	GASKET
134	84002487	1	COVER-SEAL BASE
135	84002914	1	BASE-AIR CLEANER
136	84001981	1	AIR FILTER
137	84002915	1	SPONGE-RETENTION
138	84002932	2	MOUNT-VIBRATION
139	67989GS	8	NUT, M8 Flange Serrated
140	84002931	2	MOUNT-VIBRATION

Main Unit P3 Engine

REF NO	PART NO	QTY	DESCRIPTION
141	84002476	1	GASKET
142	84002477	1	STATOR
143	84002924	1	PLATE-PROTECTOR
144	207824GS	2	BOLT, M5 - 6 x 12
145	84002478	1	ROTOR

Not For Reproduction

