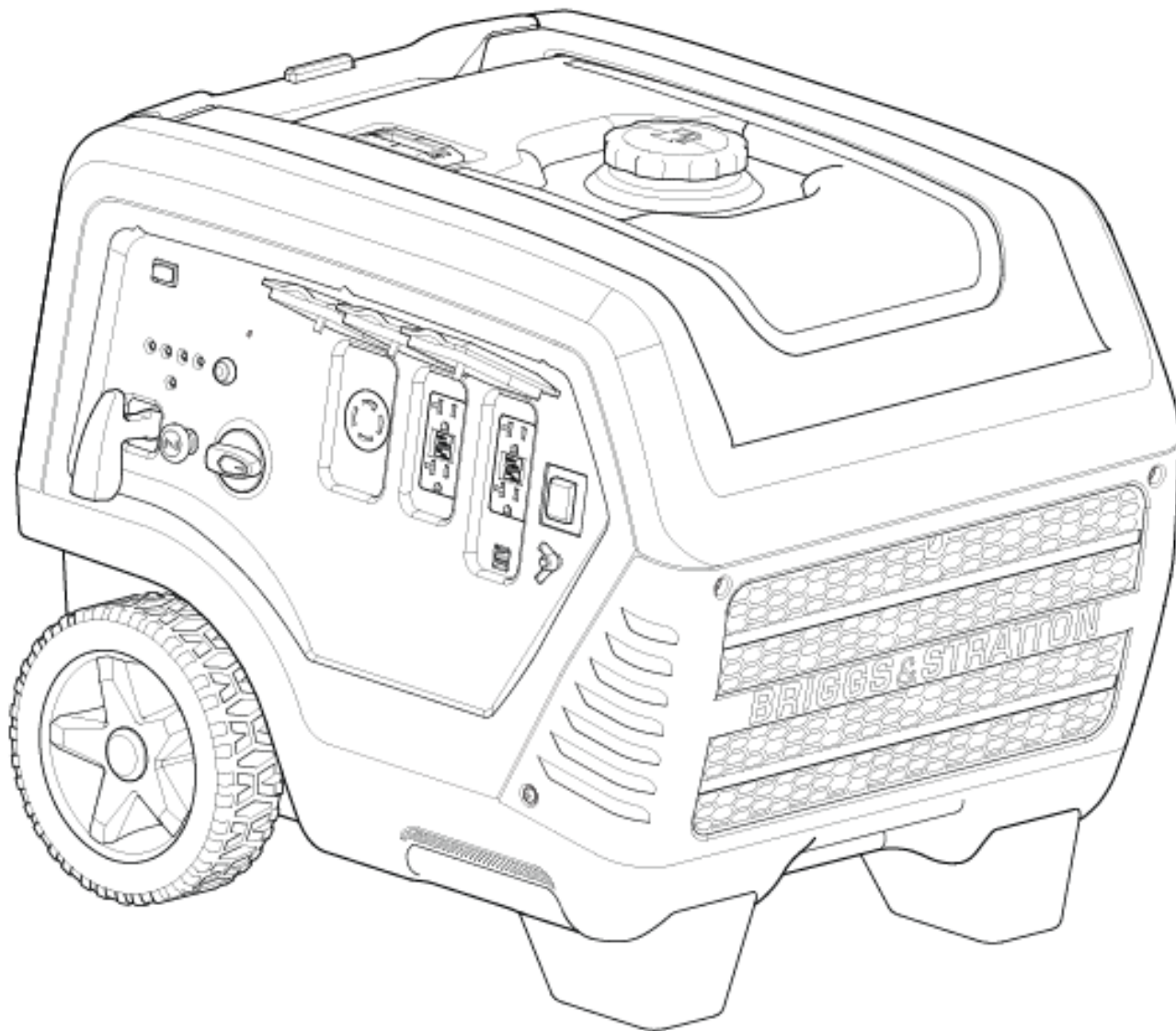




# Parts Manual

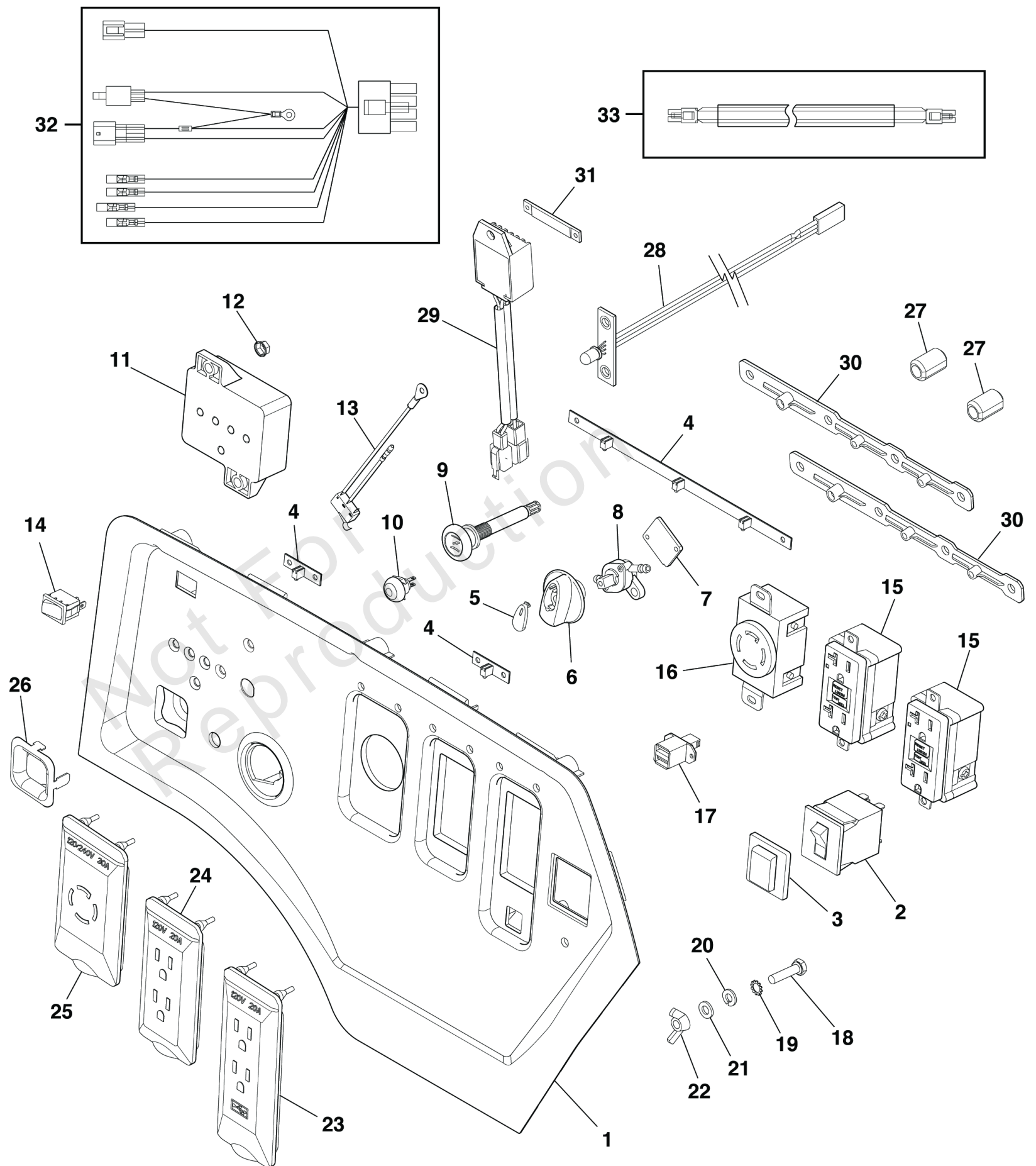
Mfg. No: 030761-03  
6,500 Watt Briggs & Stratton Inverter  
Generator 49 State



# Control Panel

Note: Unless noted otherwise, use the standard torque specifications

Mfg. No: 030761-03



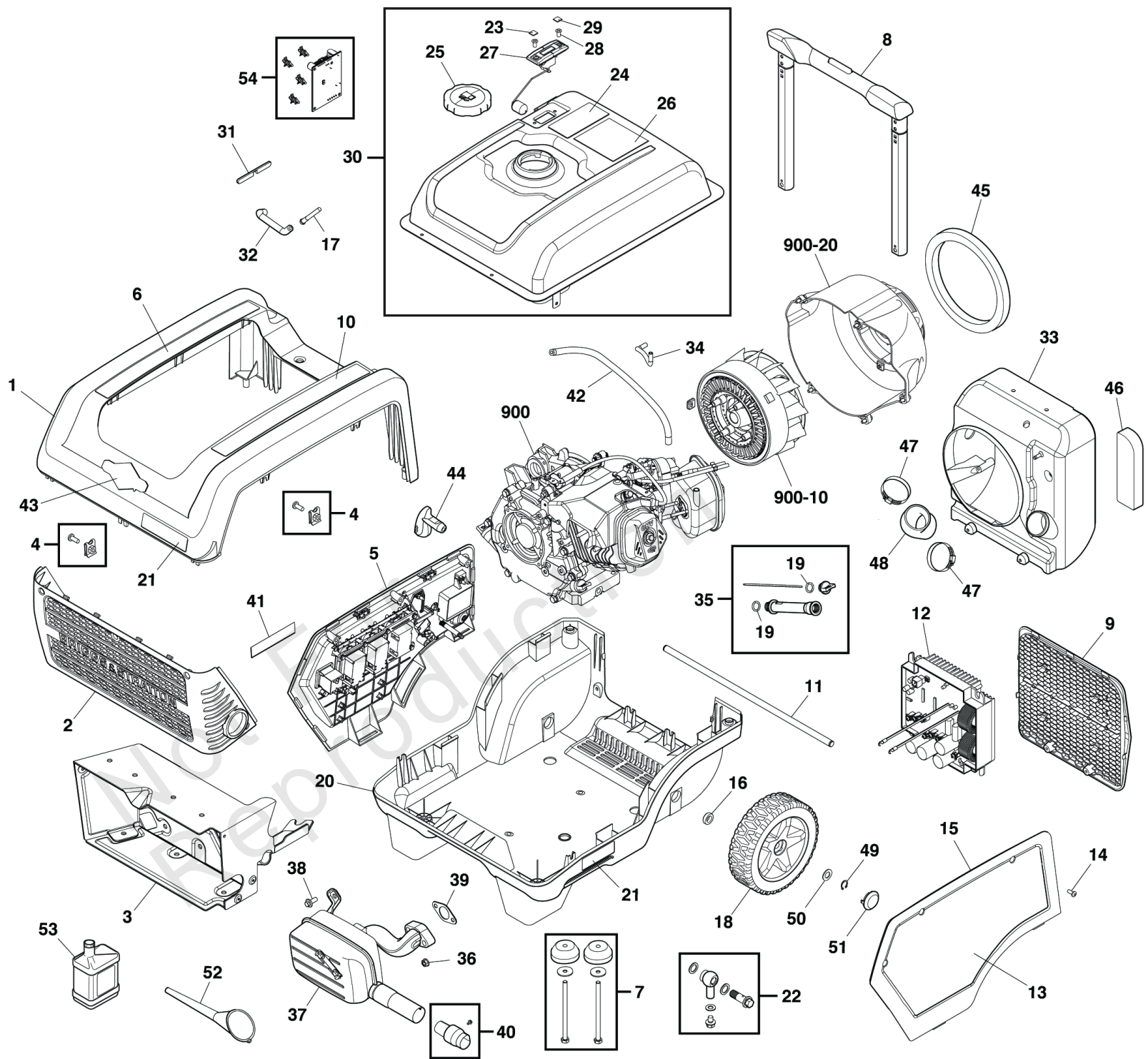
## Control Panel

REF NO	PART NO	QTY	DESCRIPTION
1	84004066	1	PANEL-CONTROL
2	209675GS	1	BREAKER-CIRCUIT
3	191481GS	1	BOOT, Breaker Circuit
4	84003978	1	ASSY_LED
5	311377GS	1	COVER, Knob
6	707223	1	KNOB
7	706790	1	COVER
8	311384GS	1	VALVE, Fuel
9	707303	1	CHOKE
10	706558	1	SWITCH-PUSHBUTTON
11	771819	1	MODULE
12	771823	2	PUSHNUT
13	707309	1	SWITCH-MICRO
14	311442GS	1	SWITCH
15	709526	2	OUTLET-GFCI
16	312689GS	1	OUTLET, 120/240V TL30A
17	706438	1	PORT-USB
18	189156GS	1	HHCS, M6-1.0 x 25
19	26850GS	1	WASHER, Ext. M6 - 1/4" Shakeproof
20	70005GS	1	WSHR, M6, SS, LOCK
21	70007GS	1	WASHER
22	87680GS	1	NUT, M6 - 1.0 Wing
23	706582	1	COVER-OUTLET
24	706822	1	COVER-OUTLET
25	706897	1	COVER-OUTLET
26	707225	1	COVER-ROPE
27	84003980	2	FERRITE
28	84004001	1	LED-REMOTE
29	84003982	1	RECTIFIER
30	771829	2	PLATE
31	771830	1	BRACKET
32	707238	1	WIRE-HARNESS,CPNL
33	707245	1	WIRE-HARNESS, DATA

# Main Unit

Note: Unless noted otherwise, use the standard torque specifications

Mfg. No: 030761-03



## Main Unit

REF NO	PART NO	QTY	DESCRIPTION
1	84004058	1	HOUSING-TOP -(Includes Items 6, 10, 21 & 43)
2	706032	1	GRILLE
3	706053	1	HEAT SHIELD
4	705995	1	KIT-NUT
5	-----	0	Non-Service Part -(See Control Panel View)
6	84004062	1	DECAL
7	772189	1	MOUNT-VIBRATION
8	706268	1	HANDLE
9	706138	1	GRILL-REAR
10	84004063	1	DECAL
11	706282	1	AXLE -(Includes Item 49)
12	84003985	1	MODULE-CONTROL
13	84004057	1	DECAL
14	772185	1	SCREW
15	771822	1	COVER-SIDE -(Includes Item 13)
16	705994	2	SPACER
17	707462	1	FILTER
18	706319	2	WHEEL -(Includes Item 51)
19	797327	1	SEAL, O-Ring
20	84004065	1	HOUSING-BOTTOM -(Includes Item 21)
21	84002468	1	DECAL
22	707460	1	OIL DRAIN
23	313461GS	1	DECAL
24	84004055	1	DECAL
25	319587GS	1	CAP-FUEL
26	84004059	1	DECAL
27	705996	1	GAUGE-FUEL
28	314440GS	2	SCREW
29	313462GS	1	DECAL
30	84004060	1	TANK-FUEL
31	707435	1	SEAL
32	707436	1	HOSE-FUEL
33	706540	1	HOLDER-INVERTER
34	707456	1	HOSE-VAPOR
35	707461	1	ASSY-OIL FILL
36	590965	2	NUT
37	706317	1	MUFFLER
38	707459	1	BOLT
39	797770	1	GASKET, Exhaust
40	790153	1	ARRESTOR, Spark
41	707458	1	DECAL
42	707457	1	HOSE-FUEL
43	707463	1	DECAL

### Footnotes:

(Note: Not Serviced Separately.)

(Note: To verify your specific engine model, please reference the ID Tag located on your engine.) (Refer to your local Briggs & Stratton distributor for parts and service.)

## Main Unit

REF NO	PART NO	QTY	DESCRIPTION
44	707586	1	HANDLE-STARTER
45	707640	1	SEAL-FOAM
46	596106	1	AIR FILTER
47	771591	2	CLAMP
48	596700	2	TUBE-AIR INTAKE
49	771593	2	E-RING
50	771592	2	WASHER
51	771637	2	HUBCAP
52	707650	1	FUNNEL
53	100005	1	OIL-4 CYCLE 30W 18OZ.
54	84004007	1	MODULE-CO
900	19N236-0001-G1	1	** ENGINE -(*Includes items 900, 900-10 and 900-20) (Refer to ENGINE Documentation for Alternator Service Information.)
900-10	-----	0	**ALTERNATOR - (Refer to ENGINE Documentation for Alternator Service Information.)
900-20	-----	0	**COVER - (Refer to ENGINE Documentation for Alternator Service Information.)

Not For  
Reproduction

---

### Footnotes:

(Note: Not Serviced Separately.)

(Note: To verify your specific engine model, please reference the ID Tag located on your engine.) (Refer to your local Briggs & Stratton distributor for parts and service.)

