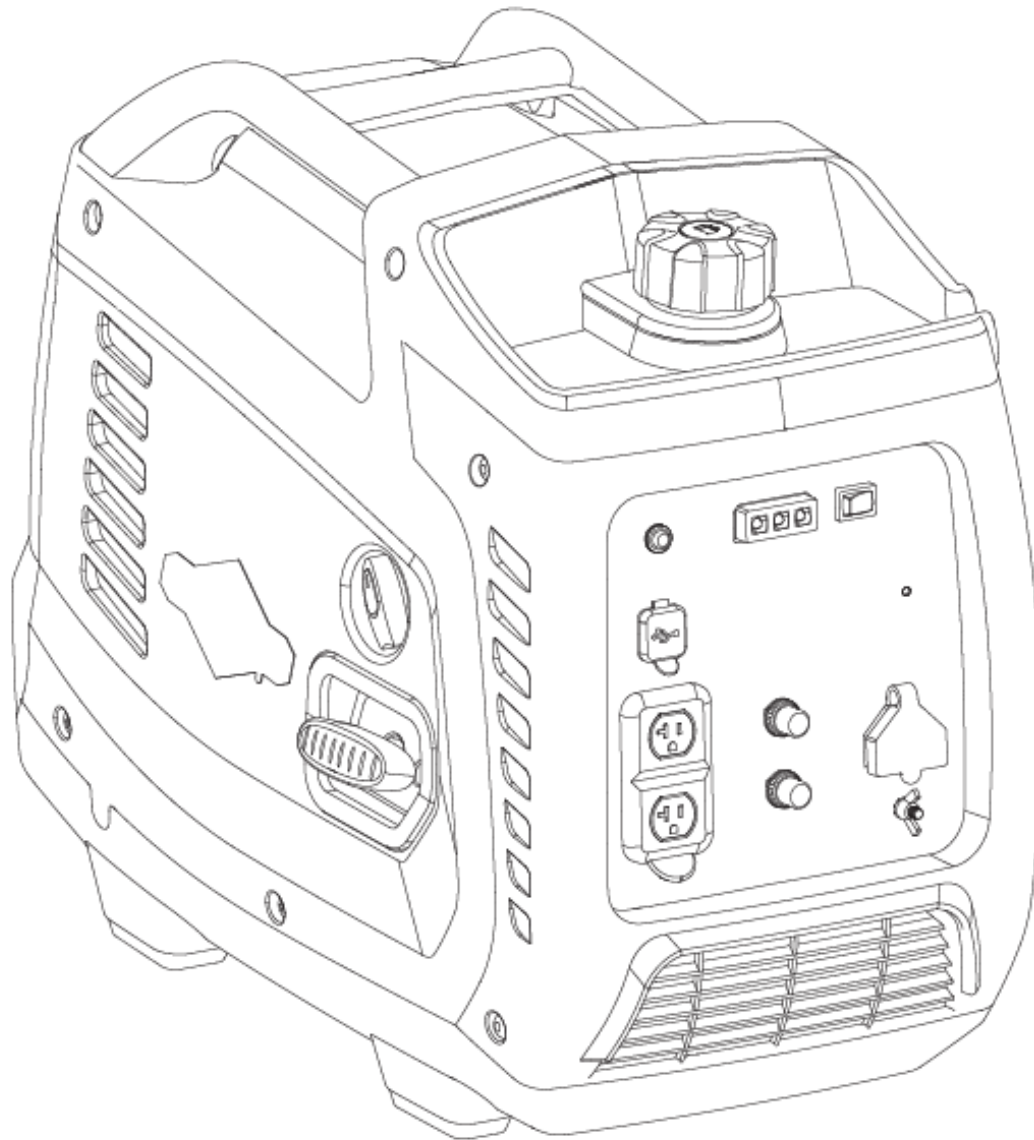


Parts Manual

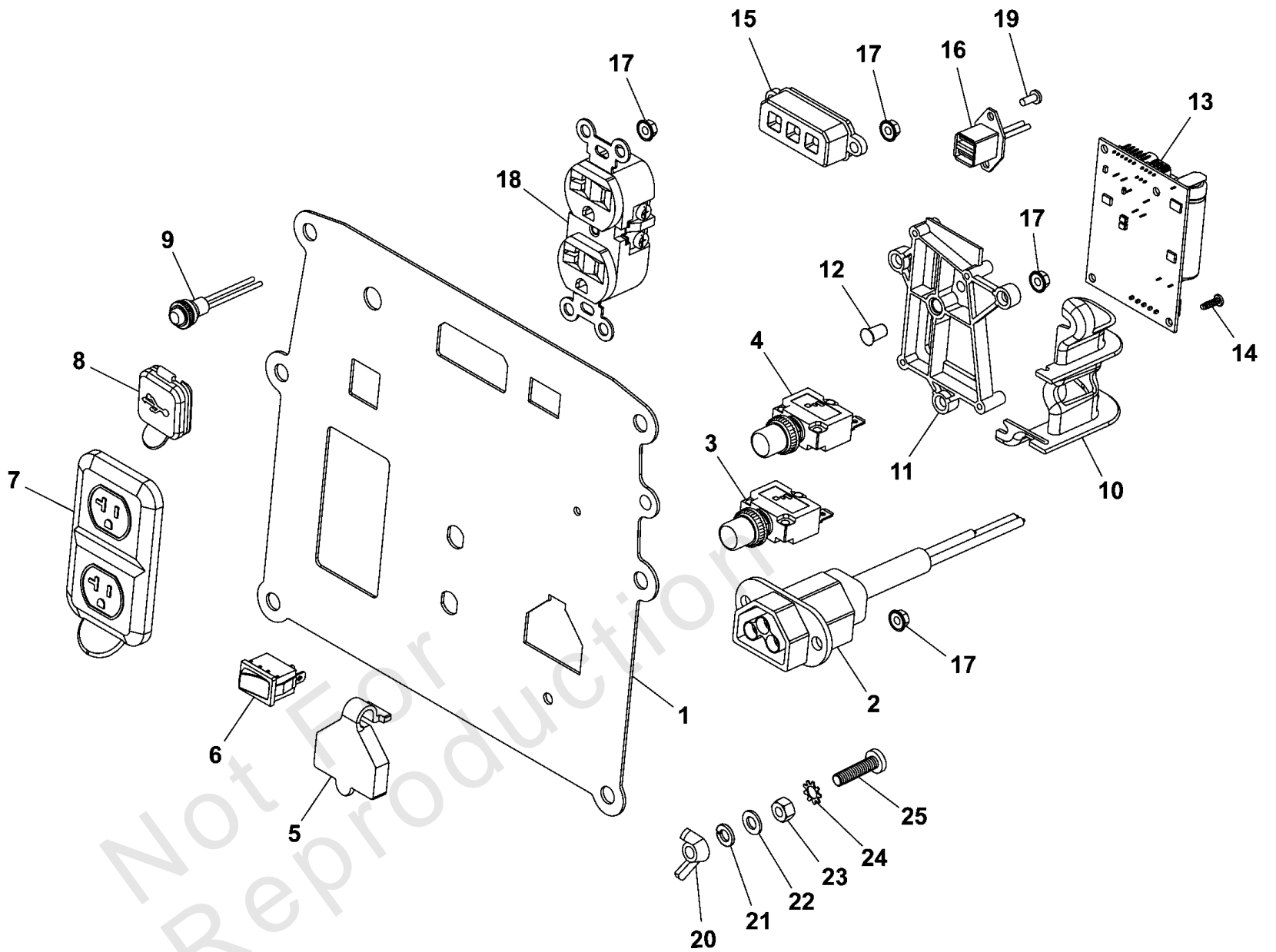
Mfg. No: 030758-00
2,400 Watt Briggs & Stratton Inverter
Generator 50 State



Control Panel

Note: Unless noted otherwise, use the standard torque specifications

Mfg. No: 030758-00



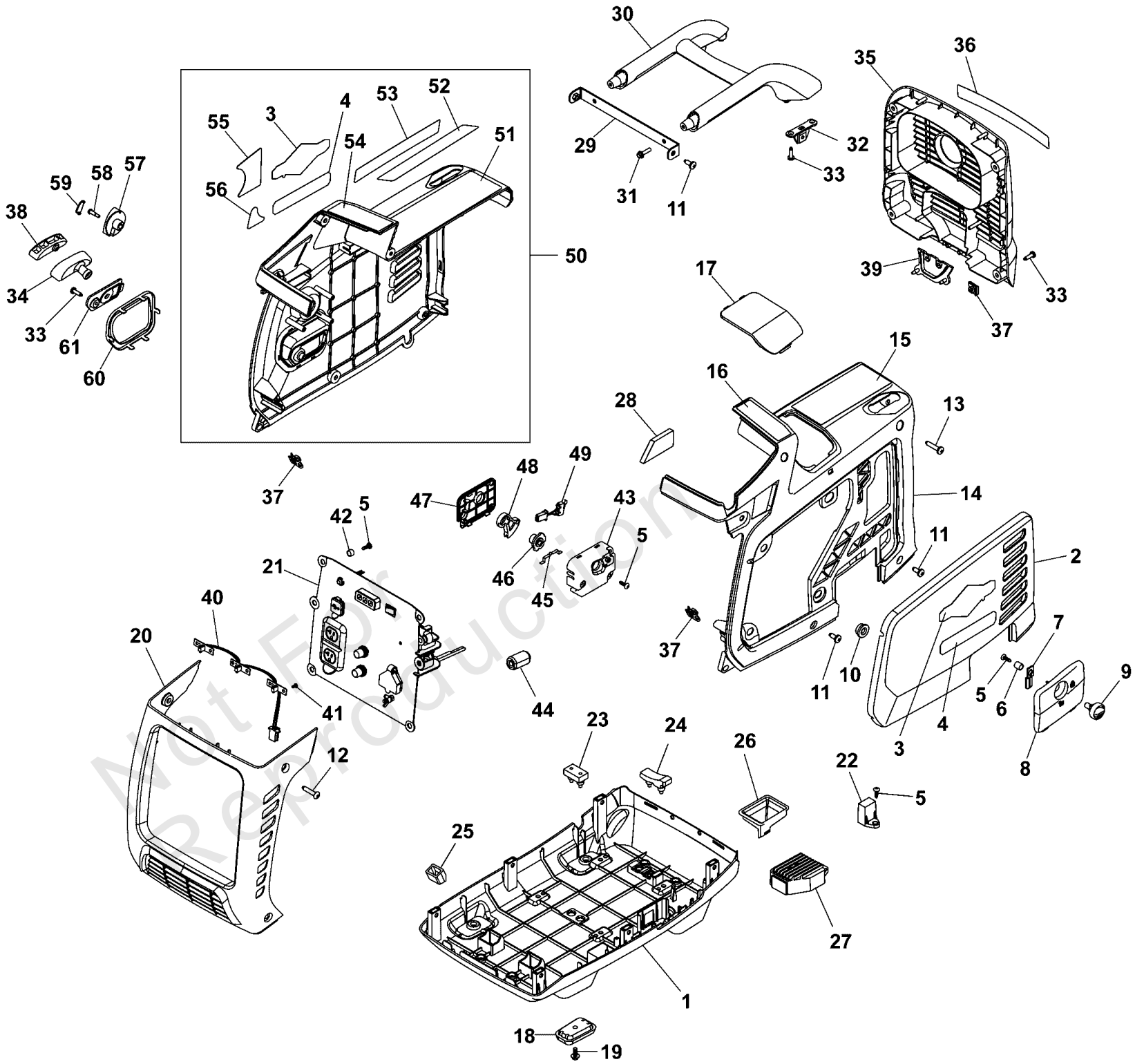
Control Panel

REF NO	PART NO	QTY	DESCRIPTION
1	84005237	1	PANEL-CONTROL
2	705488	1	PORT-PARALLEL
3	84005051	1	BREAKER-CIRCUIT
4	84005045	1	BREAKER-CIRCUIT
5	705478	1	COVER-PORT
6	311442GS	1	SWITCH
7	84005030	1	COVER-RUBBER
8	84005027	1	COVER-USB
9	319463GS	1	BUTTON-SELECT
10	84005025	1	SHIELD
11	772213	1	BRACKET-MODULE
12	772217	1	LIGHT-PIPE
13	84004007	1	MODULE-CO
14	84001081	4	SCREW
15	84005026	1	LED- INDICATOR
16	84003013	1	PORT-USB
17	795016	9	NUT
18	68759GS	1	OUTLET, 120V, 20Amp, Duplex
19	75475GS	2	SCREW
20	84002979	1	WING NUT
21	84003036	1	WASHER-LOCK
22	84003037	1	WASHER-FLAT
23	84003038	1	NUT
24	84003039	1	WASHER-SERRATED
25	84003035	1	SCREW

Main Unit P1

Note: Unless noted otherwise, use the standard torque specifications

Mfg. No: 030758-00



Main Unit P1

REF NO	PART NO	QTY	DESCRIPTION
1	84004872	1	COVER-BASE
2	84004977	1	PANEL-SIDE -(Includes Items 3 & 4)
3	84004981	1	DECAL
4	84004982	1	DECAL
5	84002962	8	SCREW
6	84002927	2	SLEEVE
7	84002928	1	LATCH-HOOK
8	84004870	1	DOOR-ACCESS
9	84004957	1	KNOB
10	84004959	1	GROMMET
11	84005245	4	SCREW
12	84005247	1	SCREW
13	84005246	1	SCREW
14	84004988	1	PANEL-SIDE -(Includes Items 15 & 16)
15	84001068	1	DECAL
16	84004992	1	DECAL
17	84004869	1	DOOR-ACCESS
18	84004949	4	MOUNT-VIBRATION
19	706865	4	SCREW, M6 x 18
20	84004971	1	PANEL-FRONT
21	84005966	1	ASSY-CONTROL PANEL
22	84005262	1	RECTIFIER
23	84005257	2	SHOCK-PAD
24	84005255	2	SHOCK- PAD
25	84004961	4	MOUNT-RUBBER
26	84004884	1	TRAP-DRAIN
27	84004964	1	RECTIFIER
28	84004968	1	FOAM
29	84004956	1	BRACKET
30	84004970	1	HANDLE
31	-----	2	* BOLT, M5 x 20
32	84004965	1	LINK
33	84002910	2	SCREW
34	84002971	1	GRIP-RECOIL
35	84004983	1	COVER-EXHAUST -(Includes Item 36)
36	84005013	1	DECAL
37	84002982	6	NUT-SPECIAL
38	311414GS	1	INSERT, Grip
39	84004950	1	BRACKET-SEALING
40	84004871	1	LAMP-LED
41	197958GS	3	SCREW, Tapping, 3 x 6
42	84005263	4	SPACER
43	84004882	1	BODY, Fuel Selector
44	84005258	1	FERRITE
45	84004881	1	SPRING
46	84004880	1	WHEEL-FUEL SELECTOR
47	84004878	1	COVER
48	84004883	1	ROCKER ARM-FUEL SELECTOR
49	84004879	1	SWITCH

Main Unit P1

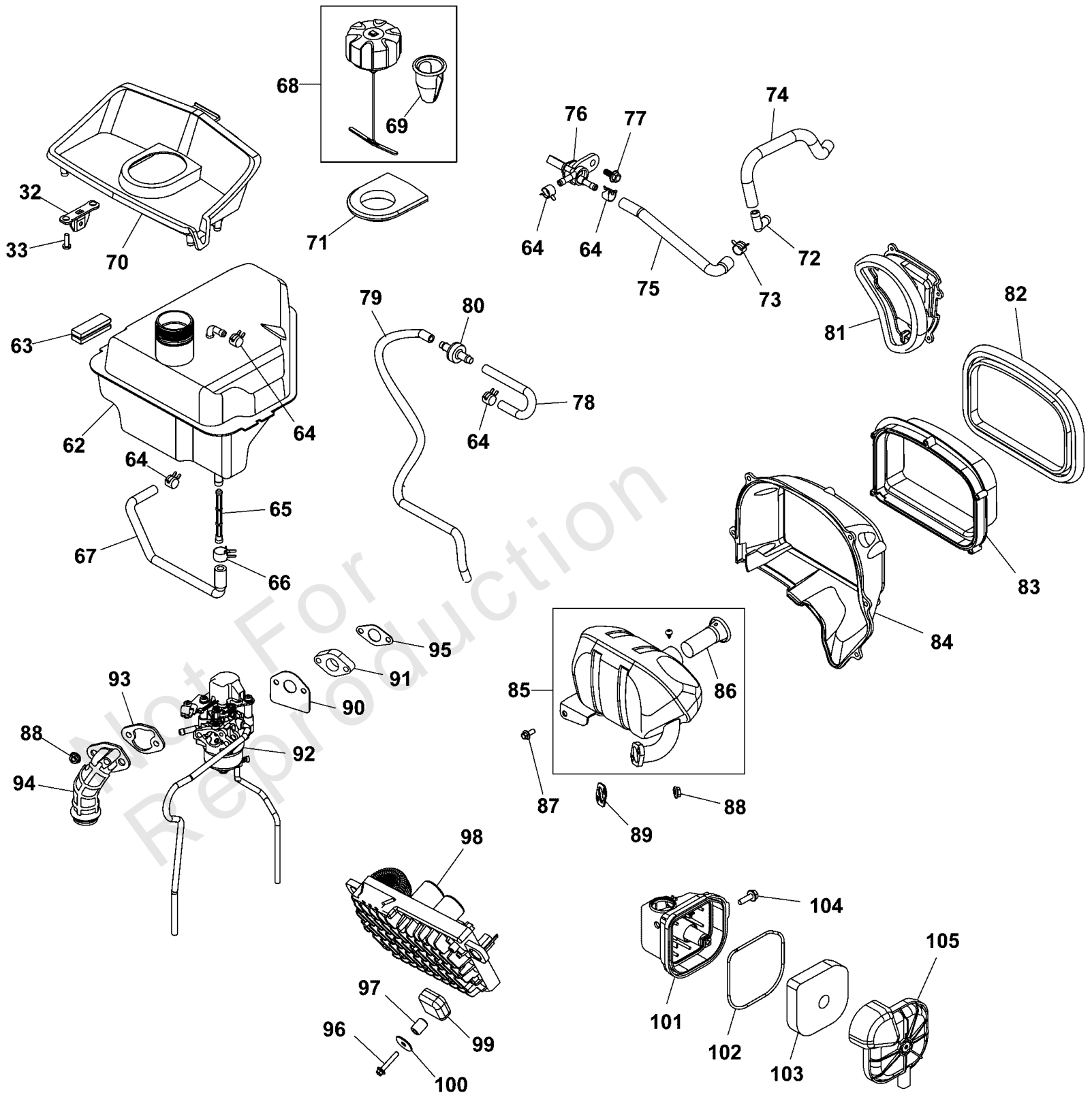
REF NO	PART NO	QTY	DESCRIPTION
50	84004986	1	COVER-SIDE
51	84001051	1	DECAL
52	84001093	1	DECAL
53	84004991	1	DECAL
54	84004996	1	DECAL
55	84005014	1	DECAL
56	84005252	1	DECAL
57	84004863	1	KNOB
58	84002926	1	SCREW
59	311377GS	1	COVER, Knob
60	84004877	1	COVER-ROPE RECOIL
61	84004875	1	PANEL-RECOIL

Not For Reproduction

Main Unit P2

Note: Unless noted otherwise, use the standard torque specifications

Mfg. No: 030758-00



Main Unit P2

REF NO	PART NO	QTY	DESCRIPTION
1	84002941	1	CRADLE
32	84004965	1	LINK
33	84002910	2	SCREW
62	84004866	1	TANK-FUEL
63	319941GS	4	MOUNT-VIBRATION
64	48031GGS	5	Clamp, Hose band
65	707168	1	FILTER-FUEL TANK
66	84002949	1	CLAMP
67	84004954	1	HOSE
68	84005967	1	CAP-FUEL
69	84004862	1	LEVEL-FUEL
70	84004867	1	TRAY-FUEL
71	84004955	1	GROMMET
72	84004808	1	PIPE
73	84005275	1	CLAMP
74	84004812	1	HOSE-BREATHER
75	84004953	1	HOSE-FUEL
76	84002959	1	VALVE-FUEL
77	-----	1	BOLT, M5 x 12
78	317447GS	1	HOSE
79	84004967	1	HOSE
80	317108GS	1	CHECK VALVE
81	84004951	1	COVER-INLET
82	84004952	1	SEAL
83	84004818	1	COVER-MUFFLER
84	84004817	1	COVER-MUFFLER
85	84004816	1	MUFFLER
86	703189	1	ARRESTOR-SPARK
87	-----	1	BOLT, M6 x 12
88	-----	1	NUT, Hex Flange, M6
89	84004815	1	GASKET
90	84004805	1	GASKET
91	84004804	1	INSULATOR
92	84004806	1	CARBURETOR
93	84004821	1	GASKET
94	84004807	1	PIPE-AIR CLEANER
95	84004803	1	GASKET
96	-----	4	BOLT, M5 x 30
97	84005277	4	SPACER
98	84004969	1	INVERTER
99	84004962	4	PAD-RUBBER
100	84005278	4	WASHER
101	84004865	1	COVER-AIR BOX
102	84004860	1	SEAL
103	84003886	1	FILTER-AIR
104	-----	2	BOLT, M6 x 20
105	84004864	1	COVER-AIR BOX

Main Unit P3 Engine

REF NO	PART NO	QTY	DESCRIPTION
87	-----	4	BOLT, M6 x 12
96	-----	1	BOLT, M5 x 30
104	-----	3	BOLT, M6 x 20
106	84004801	1	COVER-FAN
107	84004800	1	FLYWHEEL
108	84005290	2	MOUNT-VIBRATION
109	84004814	1	COIL-IGNITION
110	84004799	1	ASSY-COIL
111	84004820	1	NUT
112	84004798	1	GASKET
113	84004797	1	GAUGE-OIL
114	-----	1	CLAMP
115	-----	1	COVER, Crankcase
116	84004819	1	CAP-OIL
117	84004795	1	FAN
118	84004794	1	ROTOR
119	-----	4	BOLT, M6 x 30
120	84004802	1	RECOIL
121	84004793	1	STATOR
122	84004792	1	COVER-END
123	84004791	1	SEAL
124	84004809	1	GASKET
125	-----	4	BOLT, M6 x 16
126	84004813	1	COVER
127	84004811	1	GASKET
128	84005289	2	SCREW
129	84004810	1	VALVE-BREATHER
130	84003884	1	PLUG-SPARK