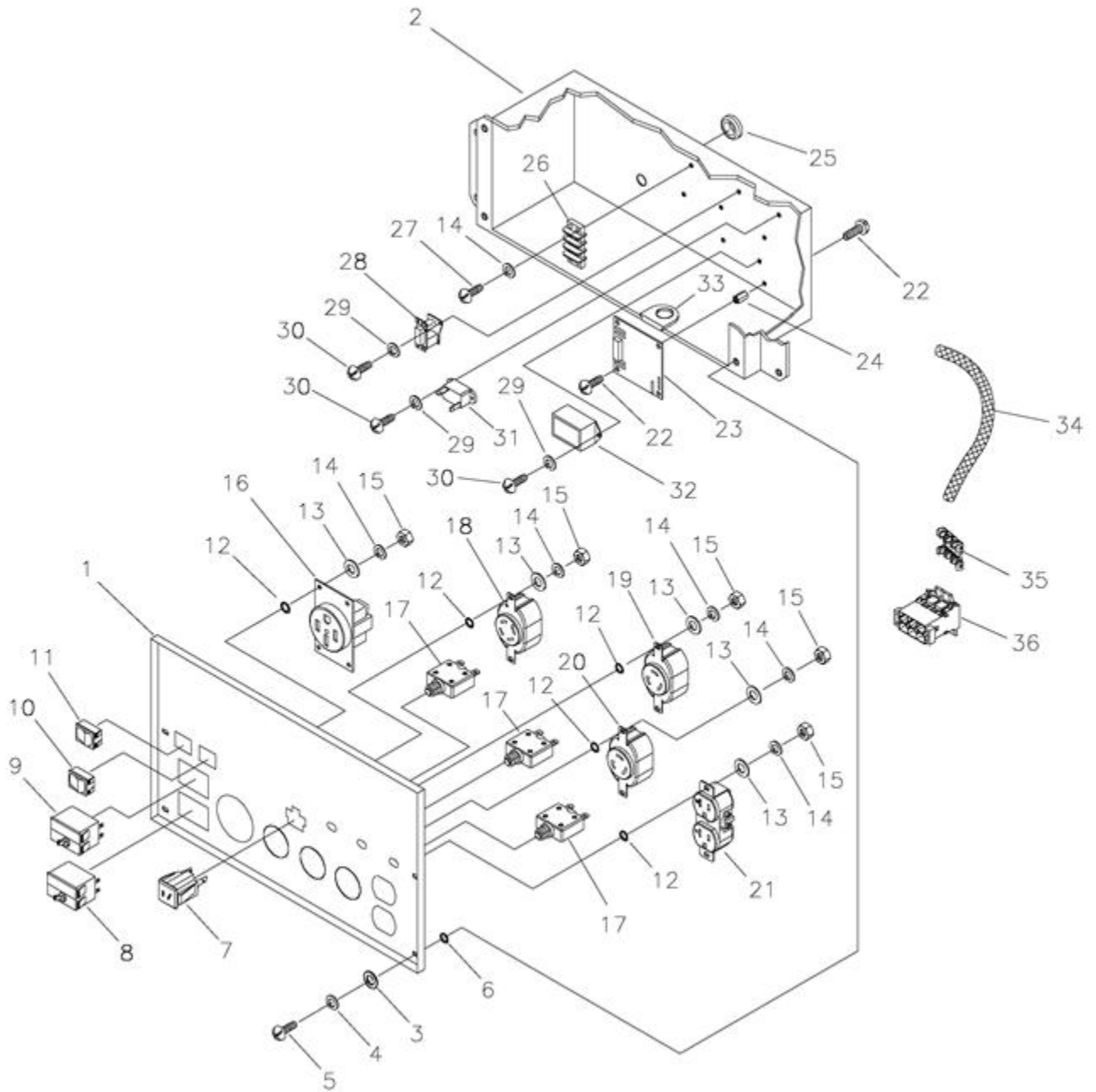
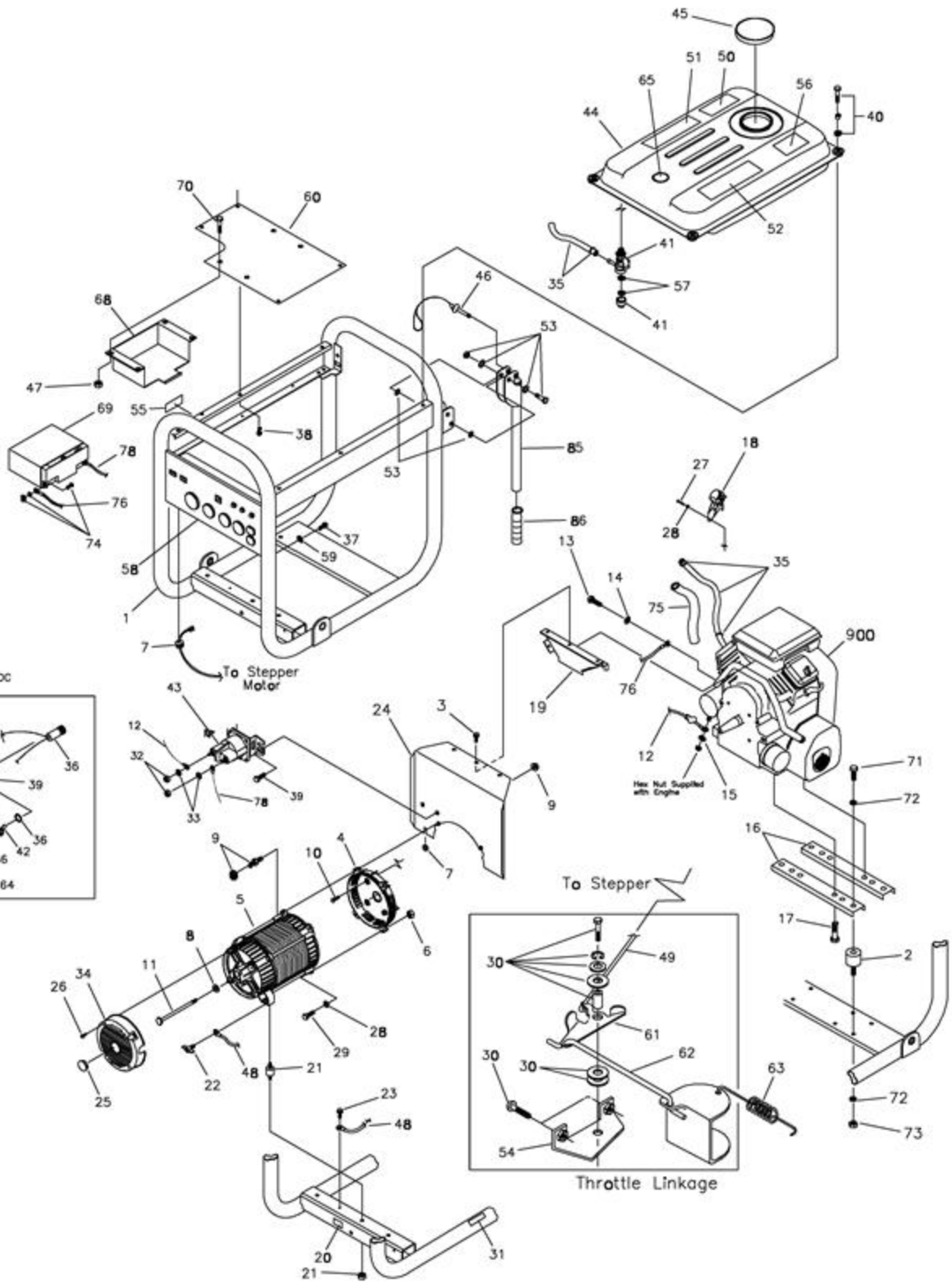
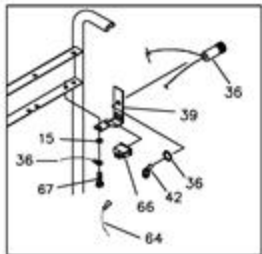


Ref #	Part #	Description	Qty	Context Note	Foot Note
1	186059GS	Adapter, Mounting, Alternator			
2	191952GS	Assy, Rotor		Includes Item 11	
3	191953GS	Stator			
4	193336GS	RBC,		With O-Ring P/N 189197GS	
5	-----	Washer, 1/4-M6 Lock		(Purchase locally)	
6	66449KGS	Bolt, M6 - 1.0 x 200			
7	66849GS	Taptite, M5 - 0.8 x 16			
8	66386GS	Assy, Holder, Brush			
9	202165GS	Kit, AVR & Boost			
10	81917GS	Pin, Roll, 4mm x 10			
11	65791GS	Bearing			



Ref #	Part #	Description	Qty	Context Note	Foot Note
1	M199022GS	Panel, Control			
2	201864GS	Box, Control Panel			
3	-----	Washer, Flat, #10 - M5		(Purchase locally)	
4	-----	Lockwasher, M5		(Purchase locally)	
5	-----	PPHMS, M5 - 0.8 x 12		(Purchase locally)	
6	-----	Washer, M6 - 1/4, Int. Shakeproof		(Purchase locally)	
7	90418GS	Outlet, 12V DC Snap			
8	191480BGS	Breaker, Circuit, 40A, 2P			
9	191480AGS	Breaker, Circuit, 30A, 2P			
10	82538GS	Switch, Rocker			
11	78653GS	Switch, Eng, Run-Stop			
12	-----	Washer, Shakeproof, Int. #8		(Purchase locally)	
13	-----	Washer, Flat, M4		(Purchase locally)	
14	-----	Lockwasher, M4		(Purchase locally)	
15	-----	Nut, M4 - 0.7		(Purchase locally)	
16	B4262GS	Recepticle			
17	75207GS	Breaker, Circuit, 20A W/Hardware			
18	43437GS	Outlet, 120/240V, 30A			
19	68868GS	Outlet, 120V, 30A			
20	74190GS	Outlet, 120V, 20A			
21	68759GS	Outlet, 120V, 20A, Duplex			
22	-----	PHTS, 6 - 32 x 3/8"		(Purchase locally)	
23	195406GS	Assy, PCB, Control, Stepper Motor			
24	64525GS	Standoff, Hex, 3/4"			
25	62265GS	Grommet			
26	92953GS	Terminal, Block			
27	-----	PPHMS, M4 - 0.7 x 20		(Purchase locally)	
28	84028GS	Transformer, Idle Control			
29	-----	Lockwasher, M3		(Purchase locally)	
30	-----	PHMS, M3 - 0.5 x 10		(Purchase locally)	
31	87962GS	Breaker, Circuit, 10A, 12V			
32	77314GS	Thermal, Relay			
33	188632GS	Boot, Rubber Wire Outlet			
34	194273GS	Tubing			
35	199532GS	Strip, Dual Row, TPA, 6 Circuit			
36	199528GS	Plug, Dual Row, Housing, 6 Circuit			

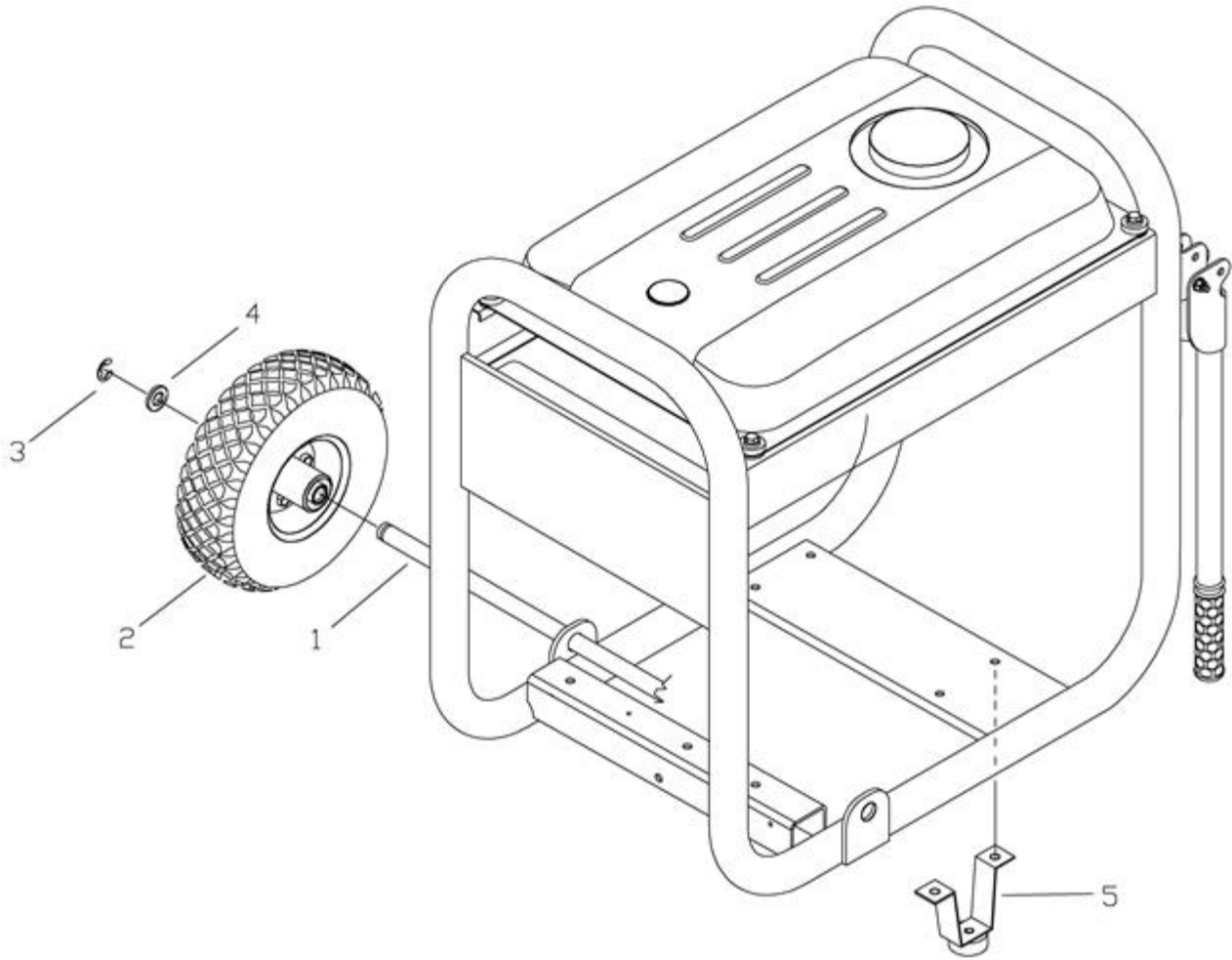
DETAIL OF JACK
ASSEMBLY COAXIAL DC



Ref #	Part #	Description	Qty	Context Note	Foot Note
1	M200968GS	Kit, Cradle		Includes Items 20, 31 & 55	
2	38353GS	Mount, Vibration			
3	56893GS	Crimptite, 10-24 x 1/2			
4	190220GS	Adapter, Engine			
5	NSP	Assy., Alternator		Alternator	
6	-----	Nut, Hex, M8 - 1.25		(Purchase locally)	
7	62265GS	Grommet			
8	96796GS	Washer, 8.4 x 22.2 x 3			
9	194208GS	Kit, Alt To Heat Shield Hardware			
10	190274BGS	SBHCS, 3/8-16 x 1"			
11	187365DGS	HHCS 5/16-24 x 10.28			
12	189302SGS	Asm Wire, #16, Red			
13	-----	HHCS, M8 - 1.25 x 16		(Purchase locally)	
14	-----	Washer, Shakeproof, Ext. 5/16		(Purchase locally)	
15	-----	Washer, Shakeproof, Ext. M6		(Purchase locally)	
16	M77304GS	Support, Engine			
17	75246GS	Taptite, 3/8 - 16 x 1-1/4			
18	195404GS	Assy, Stepper Motor			
19	J93074GS	Support, Heatshield			
20	B4986GS	Decal, Ground			
21	194155GS	Kit, Vibration Mount			
22	86494GS	Screw, Wing M6 - 1.0 x 16			
23	86292GS	Screw, 10 - 16 x 3/4, Self Drill			
24	194951GS	Assy., Heat Shield			
25	191190GS	Cap			
26	74908GS	Taptite, M5 - 0.8 x 10			
27	-----	HHCS, M8 - 1.25 x 20		(Purchase locally)	
28	-----	Washer, 5/16 M8 Lock		(Purchase locally)	
29	-----	HHCS, M8-1.25 x 25		(Purchase locally)	
30	194543GS	Kit, Throttle Linkage Hardware			
31	200310GS	Decal, Exhaust Warning			
32	-----	Nut, 1/4 - 20		(Purchase locally)	
33	-----	Washer, 1/4 Lock		(Purchase locally)	
34	195422GS	Cover, RBC Plastic w/ Cap			
35	791745	Kit, Hose, Fuel			
36	201348GS	Assy, Jack Coaxial			
37	B2153GS	Screw, Self Driller, 12-14 x 7/8			

Ref #	Part #	Description	Qty	Context Note	Foot Note
38	192376GS	Screw, 12 - 24 x 1/2 Thread Forming			
39	B4300GS	HHS, Trilobular, 1/4 - 20 x 1/2			
40	198221GS	Kit, Fuel Tank Hardware		Includes Qty 4	
41	193272GS	Valve, Fuel			
42	192351GS	Lug, 1/4			
43	691656	Solenoid			
44	202954GS	Assy., Tank Fuel		Includes Items 41, 50, 51, 52, 56 & 65	
45	189135GS	Cap, Tank Fuel			
46	B4135GS	Pin, Handle Release			
47	77395GS	Locknut, M6			
48	195373GS	Wire, Ground			
49	95920GS	Linkage, Stepper Motor To Bell Crank			
50	188333GS	Decal, Instruction, Fuel			
51	194984GS	Decal, Warning			
52	94480GS	Decal, Operating Instructions			
53	194034GS	Kit, Folddown Handle Hardware			
54	95349GS	Plate, Adjust			
55	197797GS	Decal, Fuel Shutoff			
56	202997GS	Decal, Warning, CO			
57	189759GS	Kit, Fuel Valve Repair			
58	200326GS	Assy. Control Panel			
59	-----	Washer, Ext #10, Shakeproof		(Purchase locally)	
60	193512GS	Support, Tray Battery			
61	95348GS	Bracket, Bell Crank			
62	95921GS	Linkage, Bell Crank To Throttle			
63	96717GS	Spring			
64	198871HGS	Asm Wire, #13, Red			
65	192724GS	Gauge, Gas			
66	87799GS	Switch, Rocker			
67	90388GS	Screw, M6-1 x 12, Taptite			
68	195680GS	Tray, Battery			
69	193043GS	Battery			
70	-----	HHCS, M6 -1.0 x 12		(Purchase locally)	
71	-----	HHCS, 3/8 - 16 x 3/4		(Purchase locally)	
72	-----	Washer, 3/8, Lock		(Purchase locally)	

Ref #	Part #	Description	Qty	Context Note	Foot Note
73	----	Nut, 3/8 - 16		(Purchase locally)	
74	193347GS	Kit, Hardware Battery			
75	280623	Tubing, Fuel Line			
76	185939TGS	Asm Wire, #55 Black			
78	189302RGS	Asm Wire, #13 Red			
85	B193200GS	Assy., Fold Down Handle			
86	198669GS	Grip, Handle			
900	----	Engine		Contact Engine Manufacturer	
--	200079GS	Manual, Operator`s		Parts Not Illustrated	
--	BB3061GS	Bottle, Oil		Parts Not Illustrated	
--	BB3061BGS	Bottle, Oil		Parts Not Illustrated	
--	B4177GS	Charger, Battery		Parts Not Illustrated	
--	B4767GS	Cover, Storage		Parts Not Illustrated	
--	202179GS	Decal, Family, CA EVP		Parts Not Illustrated	
--	202950GS	Kit, Decal Service		Parts Not Illustrated	
--	43438GS	Plug, 120/240V, 30A 4P		Parts Not Illustrated	
--	100523GS	Plug, 125V, 30A 3P		Parts Not Illustrated	
--	93568GS	Plug, 125V, 20A		Parts Not Illustrated	
--	65787GS	Cable, Battery Charge		Parts Not Illustrated	
--	690661	Screw, Tapping Hex		Parts Not Illustrated	
--	392390	Arrester, Spark		Parts Not Illustrated	
--	692099	Assy., Muffler		Parts Not Illustrated	
--	691513	Bracket, Muffler		Parts Not Illustrated	
--	692056	Screw		Parts Not Illustrated	
--	690898	Clamp, Muffler		Parts Not Illustrated	
--	692539	Screw		Parts Not Illustrated	



Ref #	Part #	Description	Qty	Context Note	Foot Note
1	191267JGS	Axle, 5/8" x 25.59"			
2	B4966GS	Wheel			
3	191265GS	E-Ring, 5/8			
4		Washer, 5/8		(Purchase locally)	
5	200914GS	Assy, Leg, Support w/Vib Mount			
	200913GS	Kit, Hardware, Wheel		Parts Not Illustrated	