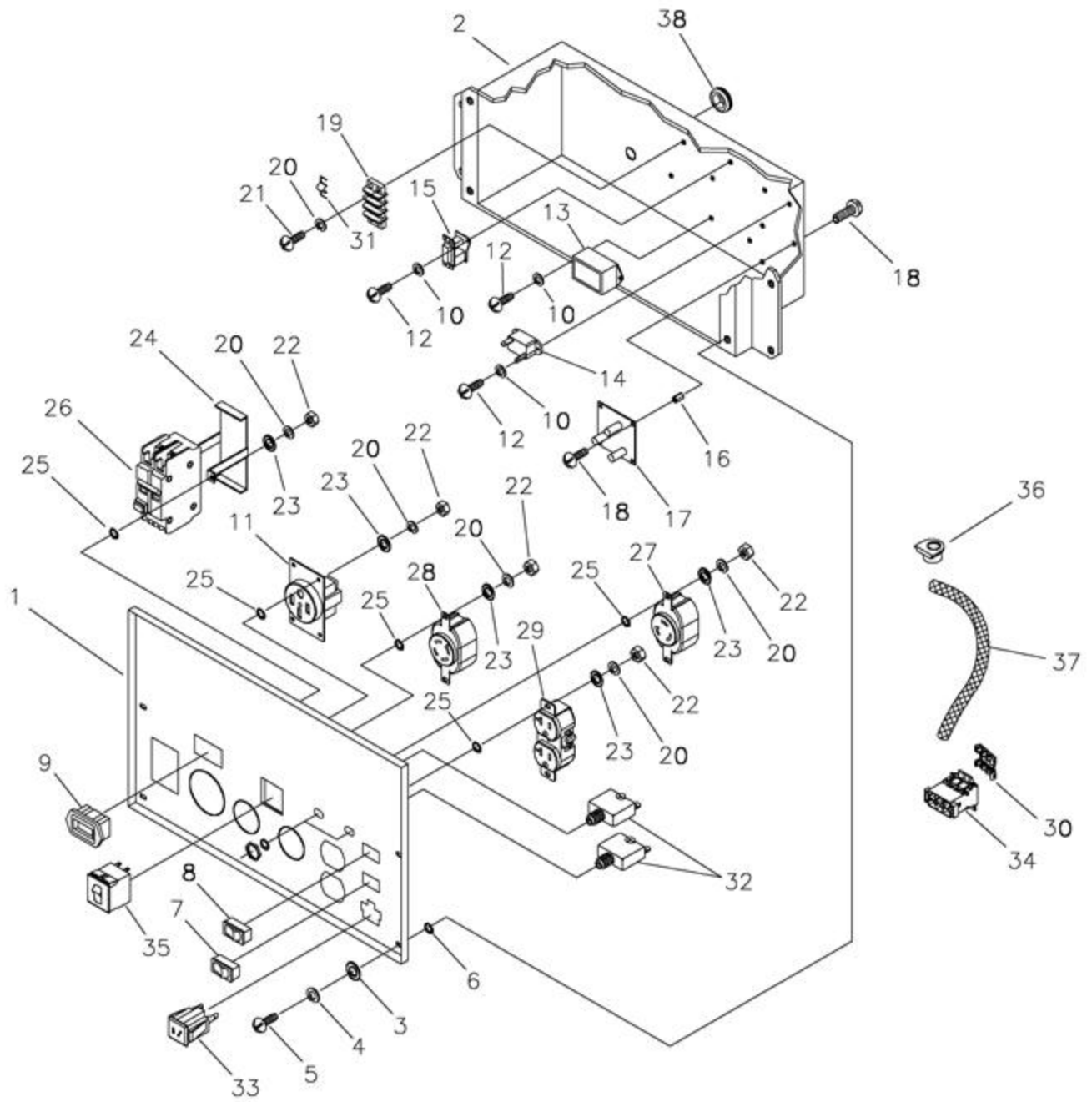
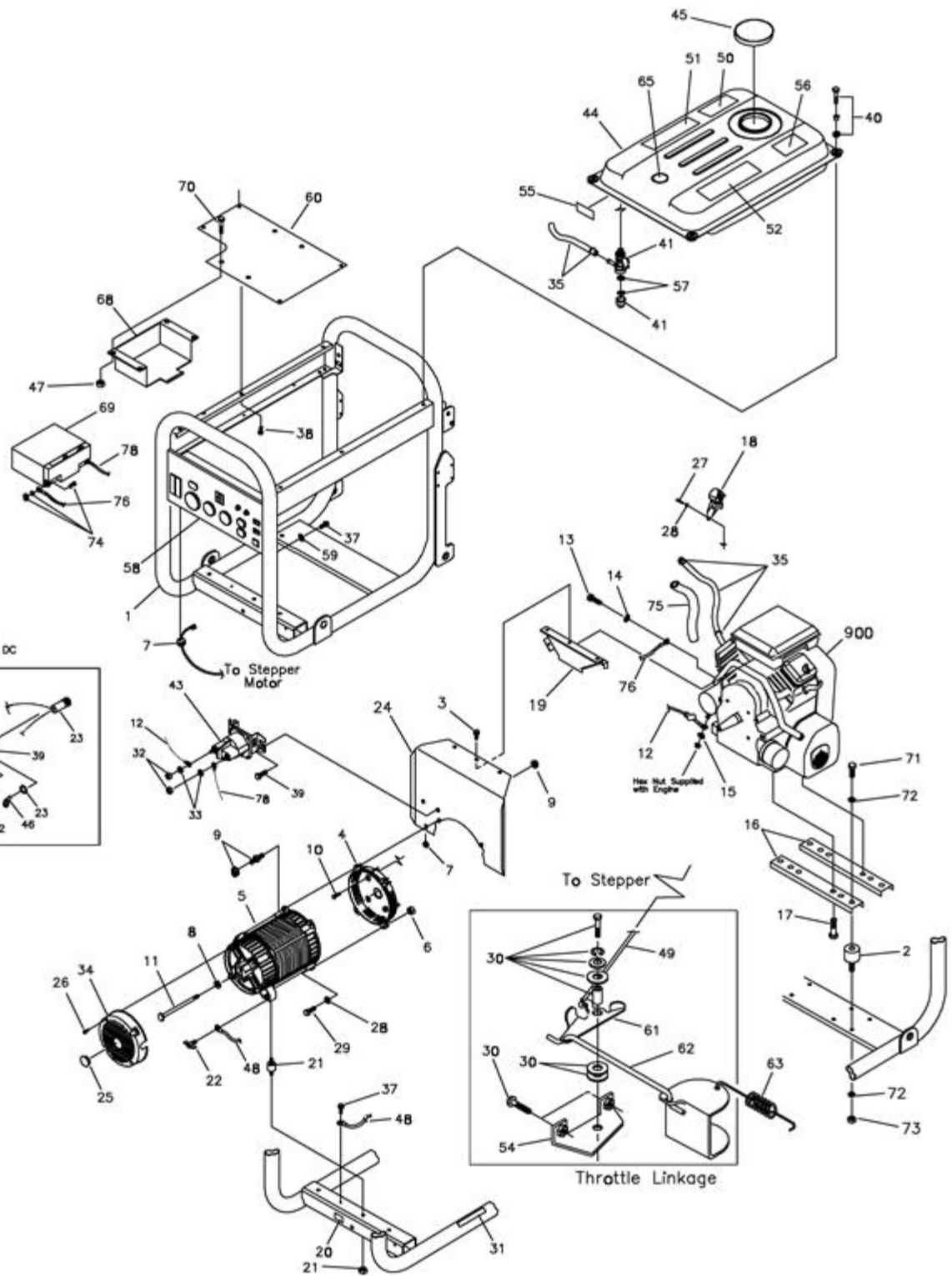
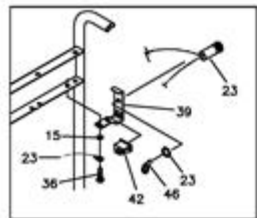


Ref #	Part #	Description	Qty	Context Note	Foot Note
1	186059GS	Adapter, Mounting, Alternator			
2	191952GS	Assy., Rotor		Includes #12	
3	205062GS	Stator			
4	186060GS	RBC, With O-Ring		p/n 189197GS	
5	66449KGS	Bolt, Stator, M6 - 1 x 200			
6	66386GS	Assy., Holder, Rectifier/Brush			
7	66849GS	Taptite, M5 - 0.8 x 16			
8		Lockwasher, 1/4 - M6		(Purchase locally)	
9	81917GS	Pin, Roll, 4mm x 10			
10	65795GS	Rectifier, Battery Charge			
11	66849CGS	Taptite, M5 - 0.8 x 30			
12	65791GS	Bearing			
13	189769GS	Regulator, Voltage-AVR			



Ref #	Part #	Description	Qty	Context Note	Foot Note
1	B204581GS	Panel, Control			
2	201864GS	Box, Control Panel			
3		Washer, Flat, #10 - M5		(Purchase locally)	
4		Lockwasher, M5		(Purchase locally)	
5		PPHMS, M5 - 0.8 x 12		(Purchase locally)	
6		Washer, M6 - 1/4, Int. Shakeproof		(Purchase locally)	
7	78653GS	Switch, Eng, Run-Stop			
8	192855GS	Switch, Rocker			
9	202602GS	Hour Meter			
10		Lockwasher, M3		(Purchase locally)	
11	B4262GS	Receptacle			
12		PHMS, M3 - 0.5 x 10		(Purchase locally)	
13	77314GS	Thermal, Relay			
14	87962GS	Breaker, Circuit, 10A, 12V			
15	84028GS	Transformer, Idle Control			
16	64525GS	Standoff, Hex, 3/4"			
17	195406GS	PCB, Idle Control, 10KW			
18		PHTS, 6 - 32 x 3/8"		(Purchase locally)	
19	92953GS	Terminal, Block			
20		Lockwasher, M4		(Purchase locally)	
21		PPHMS, M4 - 0.7 x 20		(Purchase locally)	
22		Nut, M4 - 0.7		(Purchase locally)	
23		Washer, Flat, M4		(Purchase locally)	
24	192931GS	Bracket, GFCI Breaker			
25		Washer, Shakeproof, Int. #8		(Purchase locally)	
26	192828FGS	Breaker, Circuit, GFCI, 50A			
27	68868GS	Outlet, 120V, 30A			
28	43437GS	Outlet, 120/240V, 30A			
29	68759GS	Outlet, 120V, 20A, Duplex			
30	199532GS	Strip, Dual-Row			
31	193597GS	Jumper, Terminal Block			
32	202394GS	Breaker, Circuit, 20A With Hardware			
33	90418GS	Outlet, 12VDC, Snap			
34	199528GS	PLUG, Dual-Row, Housing			
35	202033GS	Breaker, Circuit, 30A, 2P			
36	188632GS	Boot, Rubber Wire Outlet			
37	201171GS	Tubing, Fabric			
38	62265GS	Grommet			

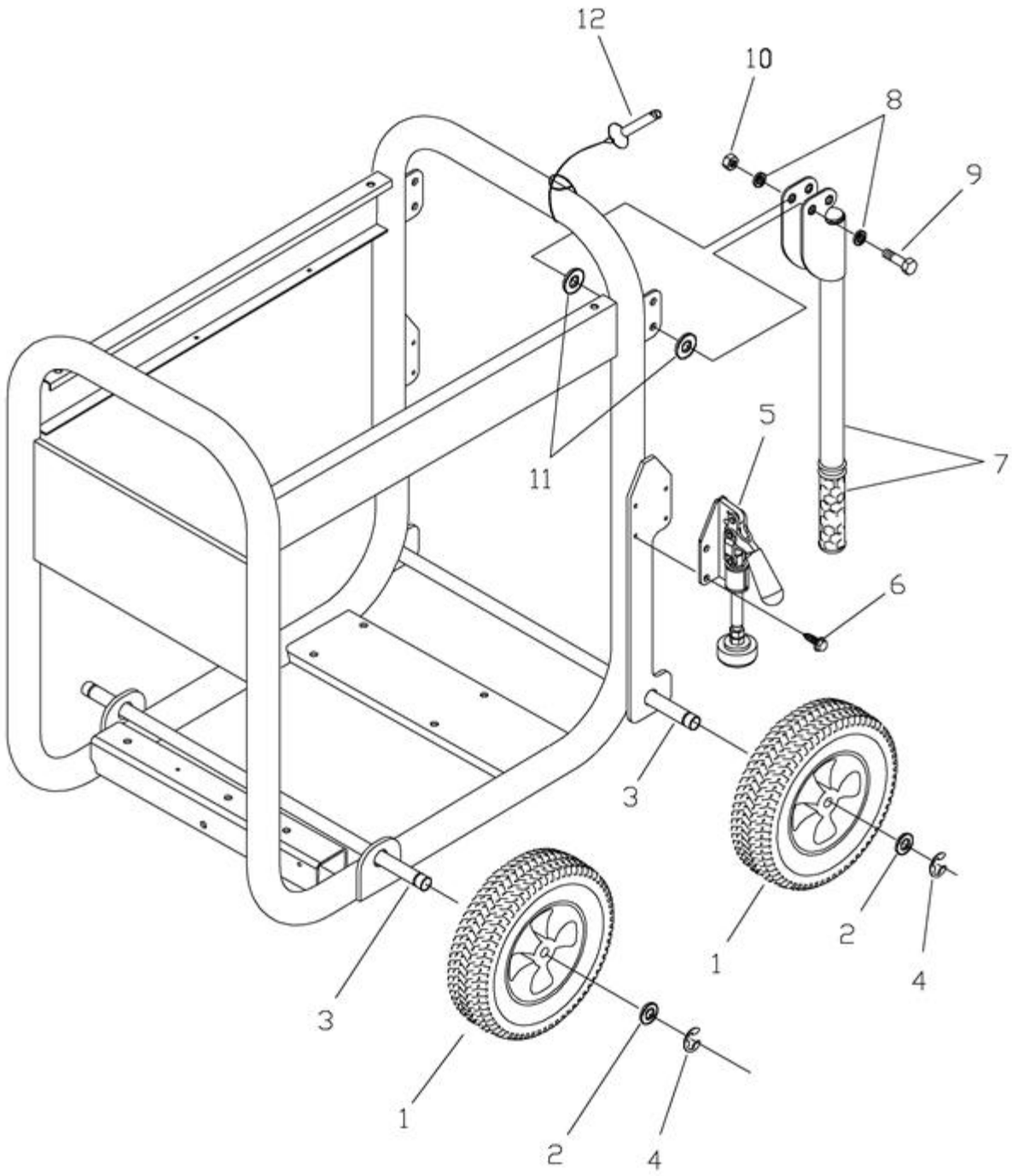
DETAIL OF JACK
ASSEMBLY COAXIAL DC



Ref #	Part #	Description	Qty	Context Note	Foot Note
1	B204637GS	Cradle		Includes Items 20 & 31	
2	38353GS	Mount, Vibration			
3	56893GS	Crimptite, 10-24 x 1/2			
4	190220GS	Adapter, Engine			
5	NSP	Assy., Alternator		Alternator	
6		Nut, Hex, M8 - 1.25		(Purchase locally)	
7	62265GS	Grommet			
8	96796GS	Washer, 8.4 x 22.2 x 3			
9	194208GS	Kit, Alt To Heat Shield Hardware			
10	190274BGS	SBHCS, 3/8-16 x 1"			
11	187365DGS	HHCS 5/16-24 x 10.28			
12	189302SGS	Wire, #16, Red			
13		HHCS, M8 - 1.25 x 16			
14		Washer, Shakeproof, Ext. 5/16		(Purchase locally)	
15		Washer, Shakeproof, Ext. M6		(Purchase locally)	
16	B77304GS	Support, Engine			
17	75246GS	Taptite, 3/8 - 16 x 1-1/4			
18	195404GS	Assy, Stepper Motor			
19	J93074GS	Support, Heatshield			
20	B4986GS	Decal, Ground			
21	194155GS	Kit, Vibration Mount			
22	86494GS	Screw, Wing M6 - 1.0 x 16			
23	201348GS	Assy., Jack Coax, DC			
24	194950GS	Assy., Heat Shield			
25	191190GS	Cap			
26	74908GS	Taptite, M5 - 0.8 x 10			
27		HHCS, M8 - 1.25 x 20		(Purchase locally)	
28		Washer, 5/16 M8 Lock		(Purchase locally)	
29		HHCS, M8-1.25 x 25			
30	194543GS	Kit, Throttle Linkage Hardware			
31	200310GS	Decal, Exhaust Warning			
32		Nut, 1/4 - 20		(Purchase locally)	
33		Washer, 1/4 Lock		(Purchase locally)	
34	195422GS	Cover, Rbc Plastic w/Cap			
35	791745	Kit, Hose, Fuel			
36	90388GS	Screw, M6 - 1 x 12, Taptite			

Ref #	Part #	Description	Qty	Context Note	Foot Note
37	B2153GS	Screw, Self-Driller, 12-14 x 7/8			
38	192376GS	Screw, 12 - 24 x 1/2 Thread Forming			
39	B4300GS	HHS, Trilobular, 1/4 - 20 x 1/2			
40	198221GS	Kit, Fuel Tank Hardware		Includes Qty 4	
41	193272GS	Valve, Fuel			
42	87799GS	Switch, Rocker			
43	691656	Solenoid			
44	196035GS	Assy., Tank Fuel		Includes Items 41, 50, 51, 52, 55, 56 & 65	
45	189135GS	Cap, Tank Fuel			
46	192351GS	Lug			
47	77395GS	Locknut, M6			
48	195373GS	Wire, Ground			
49	95920GS	Linkage, Stepper Motor To Bell Crank			
50	188333GS	Decal, Instruction, Fuel			
51	194984GS	Decal, Warning			
52	94480GS	Decal, Operating Instructions			
53	200816GS	Bracket, Switch/Jack			
54	95349GS	Plate, Adjust			
55	197797GS	Decal, Fuel Shutoff			
56	202997GS	Decal, Warning, CO			
57	189759GS	Kit, Fuel Valve Repair			
58	204578GS	Assy. Control Panel			
59		Washer, Ext #10, Shakeproof		(Purchase locally)	
60	J193512GS	Support, Tray Battery			
61	95348GS	Bracket, Bell Crank			
62	95921GS	Linkage, Bell Crank To Throttle			
63	96717GS	Spring			
65	192724GS	Gauge, Gas			
68	192985GS	Tray, Battery			
69	193043GS	Battery			
70		HHCS, M6 -1.0 x 12		(Purchase locally)	
71		HHCS, 3/8 - 16 x 3/4		(Purchase locally)	
72		Washer, 3/8, Lock		(Purchase locally)	
73		Nut, 3/8 - 16		(Purchase locally)	

Ref #	Part #	Description	Qty	Context Note	Foot Note
74	193347GS	Kit, Hardware Battery			
75	280623	Tubing, Fuel Line			
76	185939TGS	Wire, #55 Black			
78	189302RGS	Wire, #13 Red			
900		Engine		Contact Engine Manufacturer	
	204730GS	Manual, Operator`s		Parts Not Illustrated	
	BB3061GS	Bottle, Oil		Parts Not Illustrated	
	BB3061BGS	Bottle, Oil		Parts Not Illustrated	
	B4177GS	Charger, Battery		Parts Not Illustrated	
	202179GS	Decal, Family, CA EVP		Parts Not Illustrated	
	205617GS	Kit, Decal Service		Parts Not Illustrated	
	43438GS	Plug, 120/240V, 30A 4P		Parts Not Illustrated	
	100523GS	Plug, 125V, 30A 3P		Parts Not Illustrated	
	65787GS	Cable, Battery Charge		Parts Not Illustrated	
	690661	Screw, Tapping Hex		Parts Not Illustrated	
	392390	Arrester, Spark		Parts Not Illustrated	
	692099	Assy., Muffler		Parts Not Illustrated	
	691513	Bracket, Muffler		Parts Not Illustrated	
	692056	Screw		Parts Not Illustrated	
	690898	Clamp, Muffler		Parts Not Illustrated	
	692539	Screw		Parts Not Illustrated	



Ref #	Part #	Description	Qty	Context Note	Foot Note
1	203273GS	Wheel			
2		Washer, 5/8"		(Purchase locally)	
3	191267TGS	Axle			
4	191265GS	E-Ring			
5	205135GS	Assy, Brake			
6		Screw, 1/4-20 x 3/8		(Purchase locally)	
7	B193200GS	Assy, Handle w/Grip			
	198669GS	Grip			
8		Washer, Flat, 5/16 - M8		(Purchase locally)	
9		Nut, M8 - 1.25, Nylok		(Purchase locally)	
10		HHCS, M8 - 1.25 x 45		(Purchase locally)	
11		Washer, 1.2 x 0.346 x 0.03, Nylon		(Purchase locally)	
12	B4135GS	Pin, Handle			
	205183GS	Subkit, Hardware		Items Not Illustrated	