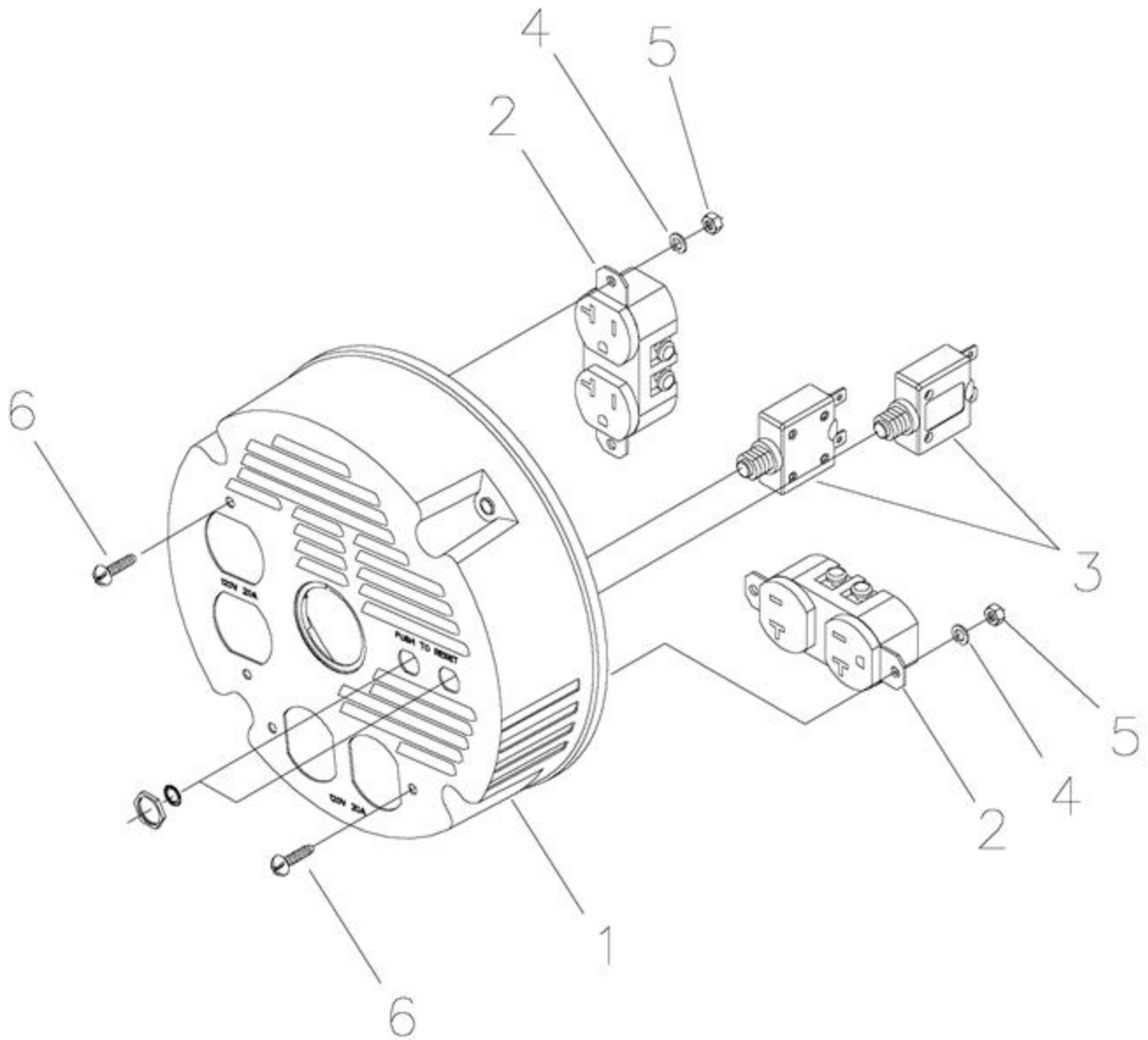
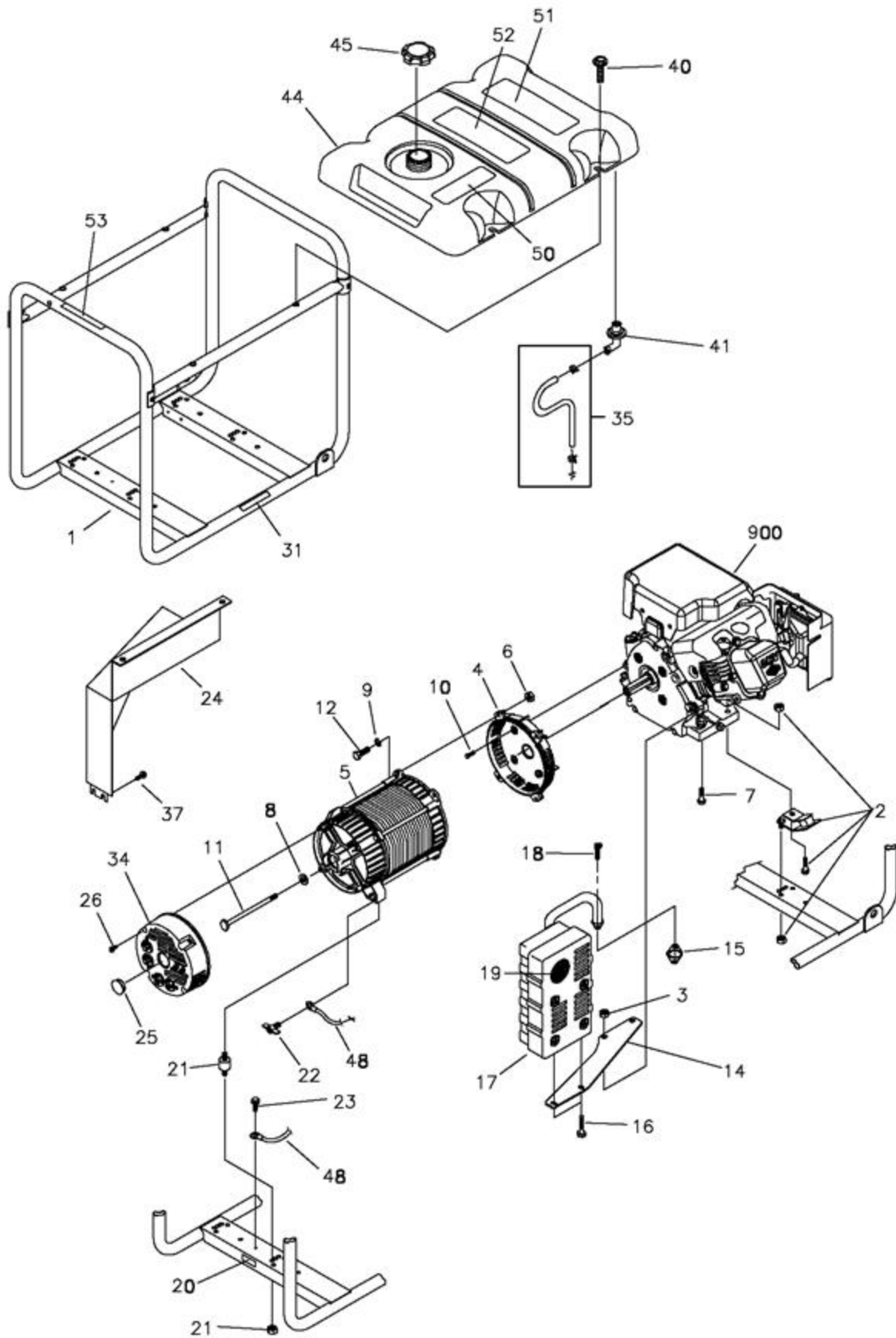


Ref #	Part #	Description	Qty	Context Note	Foot Note
1	186059GS	ADAPTER, Mounting, Alternator			
2	199545GS	ROTOR		(Includes Item 8)	
3	199546AGS	STATOR			
4	186060GS	RBC, (with O-Ring, p/n 189197GS)			
5	86308GS	HHCS, M6 - 1.0 x 115 SEMS			
6	91825GS	ASSY, Holder, Rectifier/Brush			
7	66849GS	TAPTITE, M5 - 0.8 x 16			
8	65791GS	BEARING			
9	81917GS	PIN, Roll, 4mm x 10			

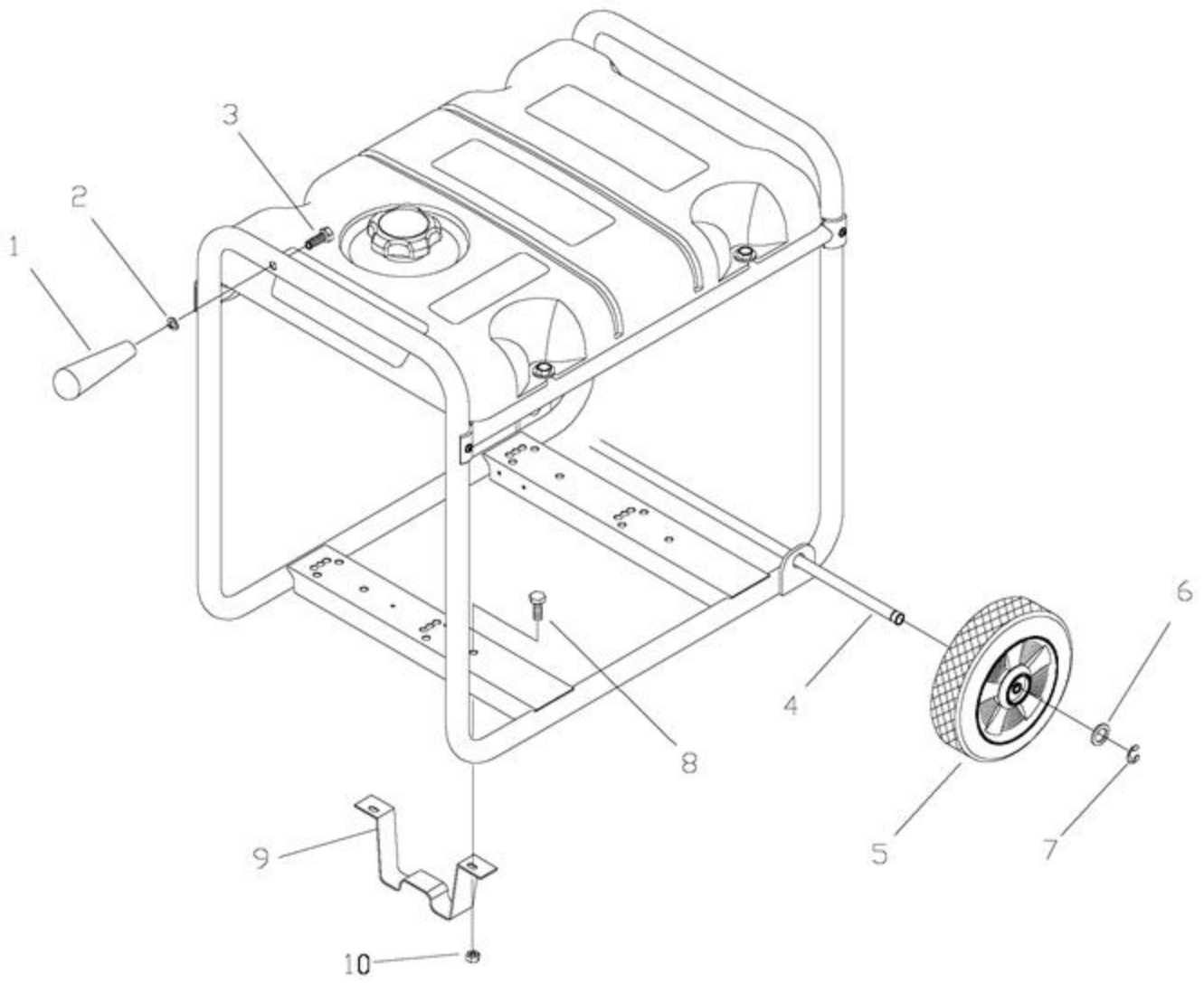


Ref #	Part #	Description	Qty	Context Note	Foot Note
1	199539GS	COVER, Control Panel, RBC			
2	68759GS	OUTLET, 120/125V, 15/20A Dplx			
3	75207GS	BREAKER, Circuit, 20A			
4	-----	WASHER, #8 Lock		(Purchase locally)	
5	-----	NUT, M4 - 0.7		(Purchase locally)	
6	-----	PPHMS, M4 - 0.7 x 10		(Purchase locally)	



Ref #	Part #	Description	Qty	Context Note	Foot Note
1	199876GS	ASSY, Cradle			
2	194150GS	KIT, Vibration Mount 45°			
3	67989GS	NUT, M8 Flange Serrated			
4	186058AGS	ADAPTER, Engine			
5	NSP	ASSY, Alternator		(see "Alternator")	
6	-----	NUT, Hex, M8 - 1.25		(Purchase locally)	
7	-----	TPHMS, M8 - 1.25 x 35		(Purchase locally)	
8	96796GS	WASHER, M8 Flat			
9	-----	WASHER, 5/16-M8 Lock		(Purchase locally)	
10	-----	HHCS, 5/16-24 x 3/4, SEMS		(Purchase locally)	
11	187365FGS	HHCS, 5/16-24 x 7-7/16			
12	-----	HHCS, M8 - 1.25 x 25		(Purchase locally)	
14	191785GS	BRACKET, Muffler			
15	697815	GASKET, Exhaust			
16	-----	HHCS, M6 - 1.0 x 12 w/ LW		(Purchase locally)	
17	188301GS	MUFFLER			
18	-----	SHCS, M6 - 1.0 x 20		(Purchase locally)	
19	83083GS	SCREEN, Spark Arrest			
20	B4986GS	DECAL, Ground, Green			
21	194153GS	KIT, Vibration Mount			
22	86494GS	SCREW, Wing M6 - 1.0 x 16			
23	86292GS	SCREW, 10 - 16 x 3/4" Self Drill			
24	199631GS	SHIELD, Heat			
25	191190GS	CAP			
26	74908GS	SCREW, M5-0.8 x 10, Taptite			
31	196830GS	DECAL, Hot Muffler			
34	199621GS	ASSY, Cover, Cpln			
35	195207GS	KIT, Fuel Hose, Formed			
37	56893GS	SCREW, 10-24 x 1/2 Crimptite			
40	199256GS	BOLT, Shldr, M6 - 1.0 w/Washer			
41	199875GS	KIT, Elbow, Fuel Tank			
44	199827GS	ASSY, Tank, Fuel 4-Gallon		(Includes Items 41, 50, 51 & 52)	
45	90878GS	CAP, Fuel			
48	195373GS	WIRE, Ground			
50	188333GS	DECAL, Gas Fill			
51	194799GS	DECAL, Warning			

Ref #	Part #	Description	Qty	Context Note	Foot Note
52	189235GS	DECAL, Start Instructions			
53	201079GS	DECAL, Warning CO			
900	-----	ENGINE		Contact Engine Manufacturer	
--	BB3061BGS	BOTTLE, Oil		Not Illustrated	
	199399GS	MANUAL, Operator`s		Not Illustrated	
	199384GS	DECAL, Family, CA EVP		Not Illustrated	
	199384GS	KIT, Decals, Srv		Not Illustrated	
	5041D	STABILIZER, Fuel		Optional Accessory	



Ref #	Part #	Description	Qty	Context Note	Foot Note
1	200035GS	HANDLE			
2	-----	WASHER, Lock, Split 3/8"		(Purchase locally)	
3	-----	HHCS, 3/8 - 16 x 2		(Purchase locally)	
4	196771GS	AXLE, 1/2"			
5	193975GS	WHEEL			
6	-----	WASHER, 1/2"		(Purchase locally)	
7	192050GS	E-RING			
8	-----	HHCS, M8 - 1.25 x 16		(Purchase locally)	
9	200073GS	LEG, Mounting			
10	-----	NUT, M8 Flange Serrated		(Purchase locally)	