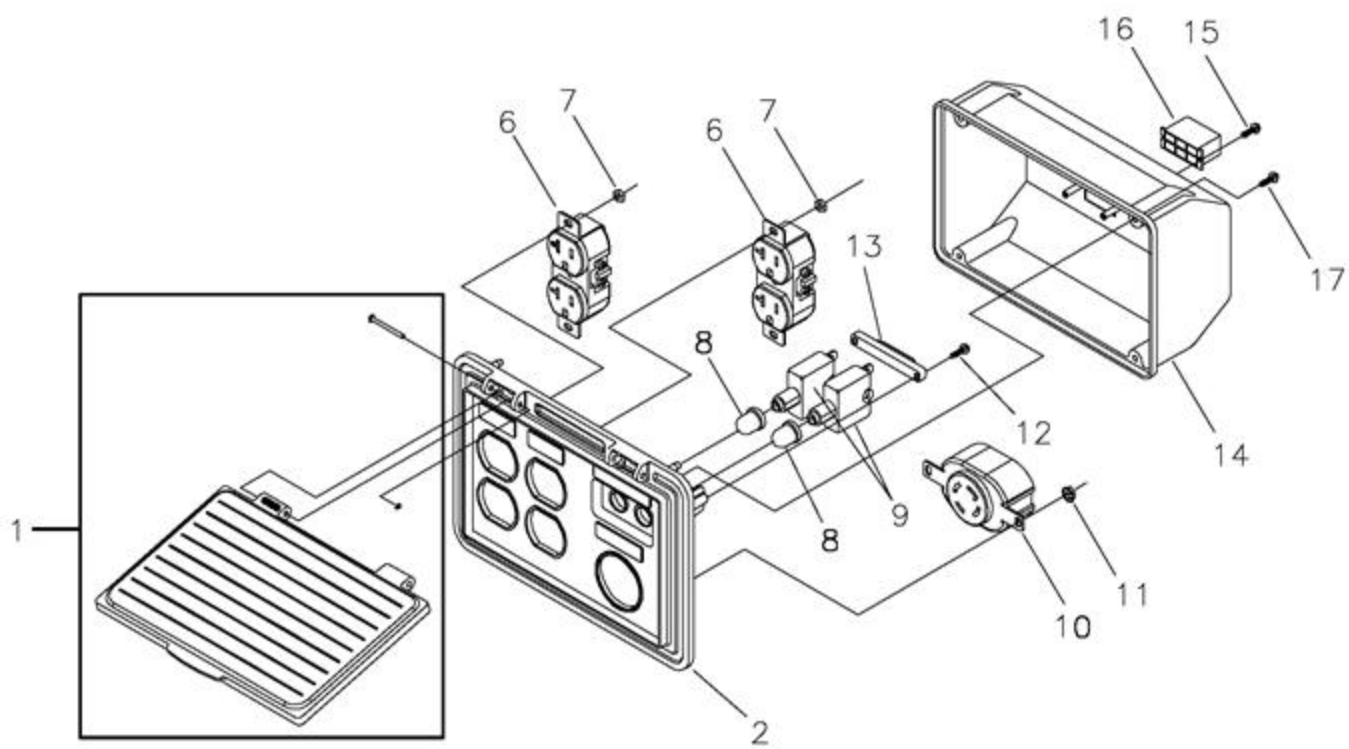


<b>Ref #</b>	<b>Part #</b>	<b>Description</b>	<b>Qty</b>	<b>Context Note</b>	<b>Foot Note</b>
1	186059GS	ADAPTER, Mounting, Alternator			
2	191043GS	ASSY, Rotor (Includes Item 12)		(Includes Item 12)	
3	191042AGS	STATOR			
4	186060GS	RBC, with O-Ring		(p/n 189197GS)	
5	86308CGS	HHCS, M6 - 1.0 x 130 SEMS			
6	91825GS	ASSY, Holder, Rectifier/Brush			
7	66849GS	TAPTITE, M5 - 0.8 x 16			
8	22694GS	RECEPTACLE, 6 pin			
9	81917GS	PIN, Roll, 4mm x 10			
10	193428AGS	ASSY, Wire, Ground			
11	194274GS	HARNESS, Wire, Power			
12	65791GS	BEARING			



<b>Ref #</b>	<b>Part #</b>	<b>Description</b>	<b>Qty</b>	<b>Context Note</b>	<b>Foot Note</b>
1	195112GS	KIT, Control Panel Lid			
2	188889GS	CONTROL PANEL, Compact			
6	68759GS	OUTLET, 120V, 20A, Duplex			
7	*	NUT, Palnut, Pushnut, 5/32		(Purchase Locally)	
8	84198GS	CAP, Breaker, Circuit			
9	75207GS	BREAKER, Circuit			
10	43437GS	OUTLET, 120/240V Locking, 30A			
11	*	NUT, Palnut, Pushnut, 3/16		(Purchase Locally)	
12	*	SCREW, Phillips, Head 3.5 x 18		(Purchase Locally)	
13	93857GS	BAR, Retaining			
14	188890GS	COVER, Back, Control Panel			
15	82308GS	SCREW, Self Tapping, STC 3 x 18			
16	22694GS	HOUSING, Receptacle			
17	*	SCREW, Phillips, 3.5 x 14		(Purchase Locally)	

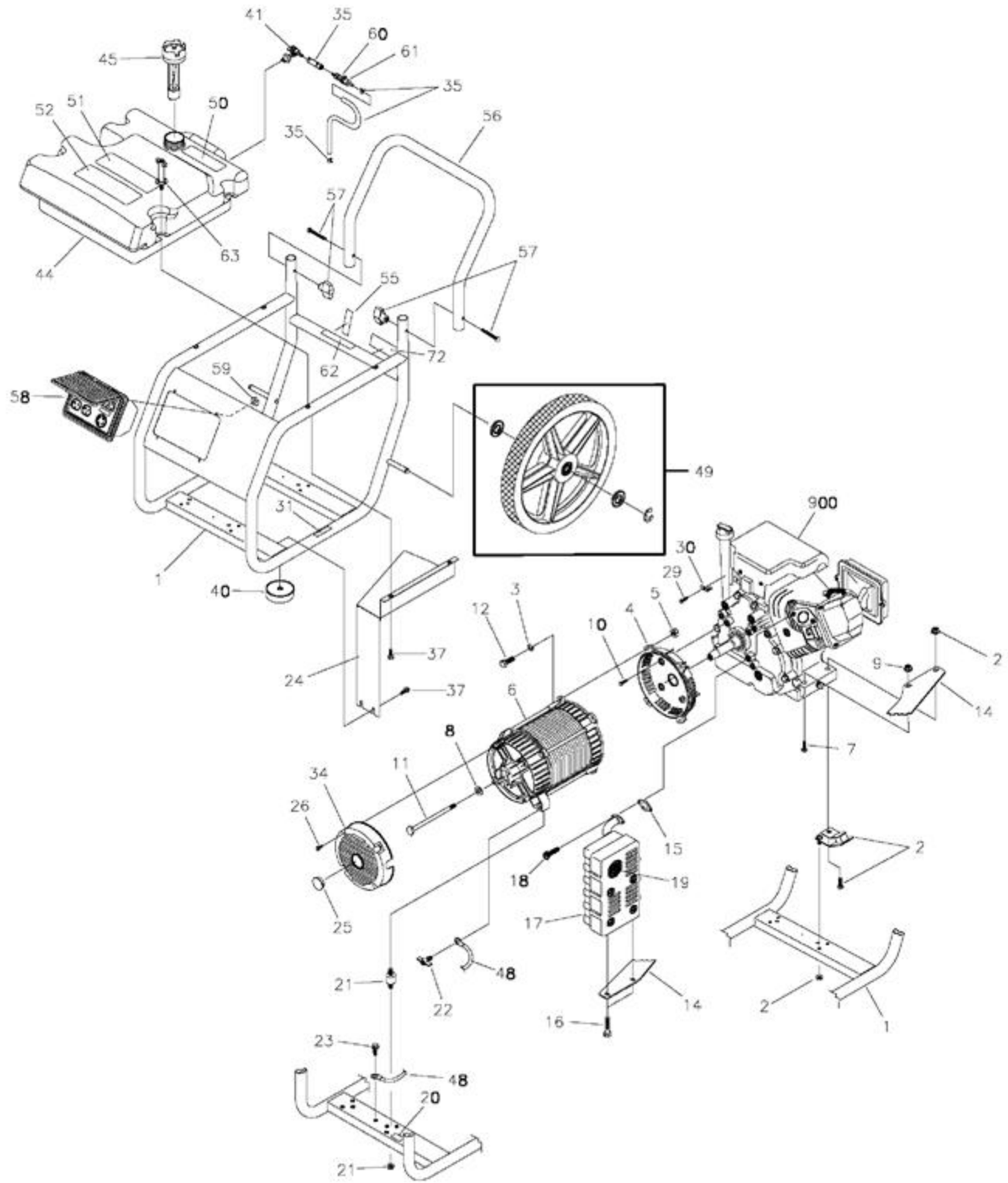
Ref # Part #

Description

Qty

Context Note

Foot Note



Ref #	Part #	Description	Qty	Context Note	Foot Note
1	J197129GS	FRAME (Includes #20, 31, 40, 55, 62 & 72)			
2	194150GS	KIT, Vibration Mount 45°			
3	*	WASHER, M8 Lock		(Purchase Locally)	
4	190220GS	HOUSING, Engine Adapter			
5	*	NUT, Hex M8 - 1.25		(Purchase Locally)	
6	NSP	ASSY, Alternator (see page 5)		(see "Alternator")	
7	*	TPHMS, M8 - 1.25 x 35		(Purchase Locally)	
8	96796GS	WASHER, 8.4 x 22.2 x 3			
9	67989GS	NUT, M8 Flange Serrated			
10	190274BGS	SBHCS, 3/8-16 x 1.0 Long			
11	47480GS	HHCS, 5/16-24 x 7			
12	*	HHCS, M8 1.25 x 25		(Purchase Locally)	
14	189009GS	BRACKET, Muffler			
15	695398	GASKET, Exhaust			
16	*	HHCS, M6 1.0 x 12		(Purchase Locally)	
17	189008GS	MUFFLER			
18	*	SHCS, 5/16 - 18 x 3/4"		(Purchase Locally)	
19	83083GS	SCREEN, Spark Arrest			
20	B4986GS	DECAL, Ground, Green			
21	194153GS	KIT, Vibration Mount			
22	86494GS	SCREW, Wing, M6 1 x 16			
23	86292GS	SCREW, 12-14 x 7/8, Self Drill			
24	192793GS	SHIELD, Heat			
25	191190GS	CAP			
26	74908GS	SCREW, M5-0.8 x 10 Taptite			
29	94929GS	SCREW, Hex Wash HD			
30	226846	BRACKET, Oil Fill Tube			
31	196830GS	DECAL, Warning, Exhaust			
34	195422GS	COVER, RBC, Plastic w/Cap			
35	199838GS	KIT, Hose Fuel w/ Clamps (cut to fit)			
37	192376GS	SCREW, 12 - 24 x 1/2 THD Forming			
40	192553GS	KIT, Vibe Mount			
41	192980GS	KIT, Valve Tank			
44	196181GS	ASSY., Tank, Fuel (Includes #41, 50, 51 & 52)		(Includes Items 41, 50, 51 & 52)	
45	189420GS	CAP, Fuel Gauge			
48	195373GS	WIRE, Ground			

Ref #	Part #	Description	Qty	Context Note	Foot Note
49	193548GS	KIT, Wheel			
	192050GS	E-Ring			
	22304GS	WASHER, Flat 1/2			
50	188333GS	DECAL, Fuel Tank			
51	194799GS	DECAL, Danger			
52	189235GS	DECAL, Start Instructions			
55	197798GS	DECAL, Shut-Off, Fuel			
56	J194907GS	HANDLE			
57	B2203GS	KIT, Handle Fastening			
58	190355GS	ASSY, Control Panel		(see "Control Panel")	
59	*	NUT, Palnut 3/16"		(Purchase Locally)	
60	189117GS	QUICK CONNECT, Fuel, 1/4 Barb			
61	192695GS	QUICK CONNECT, Fuel, 1/4 Barb			
62	203579GS	DECAL, CO Warning			
63	189114GS	KNOB, Fuel Tank Hold Down			
72	192480GS	DECAL, Warning, Fuel Line Disconnect			
900	§	ENGINE		Contact Engine Manufacturer	
	BB3061GS	Oil Bottle		Not Illustrated	
	43438GS	PLUG, 250V, 30A		Not Illustrated	
	MS5242	MANUAL, Engine		Not Illustrated	
	198171GS	MANUAL, Operator`s		Not Illustrated	
	197581GS	TRAY, Overflow		Not Illustrated	
	198419GS	KIT, Decals, Service		Not Illustrated	