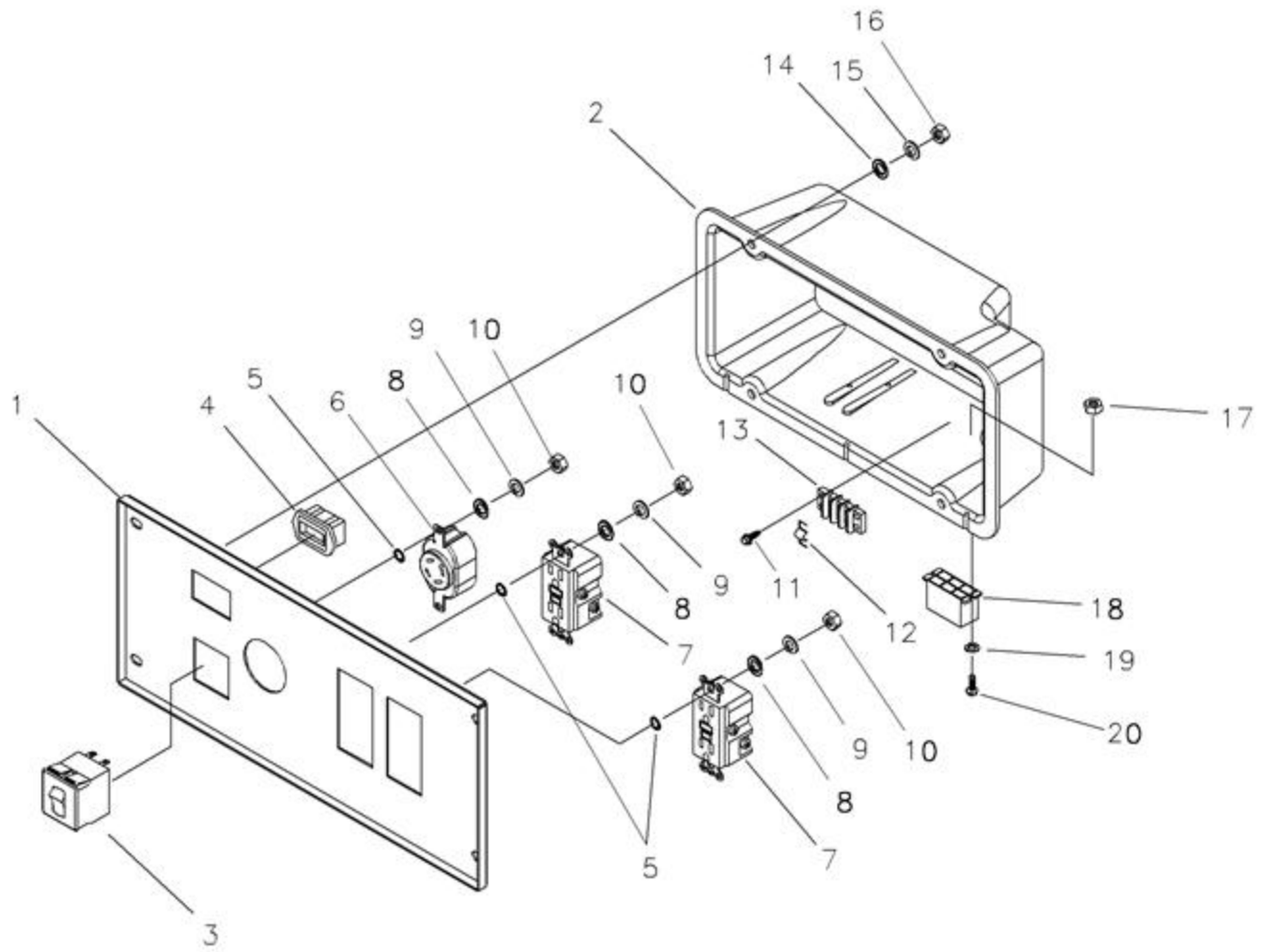
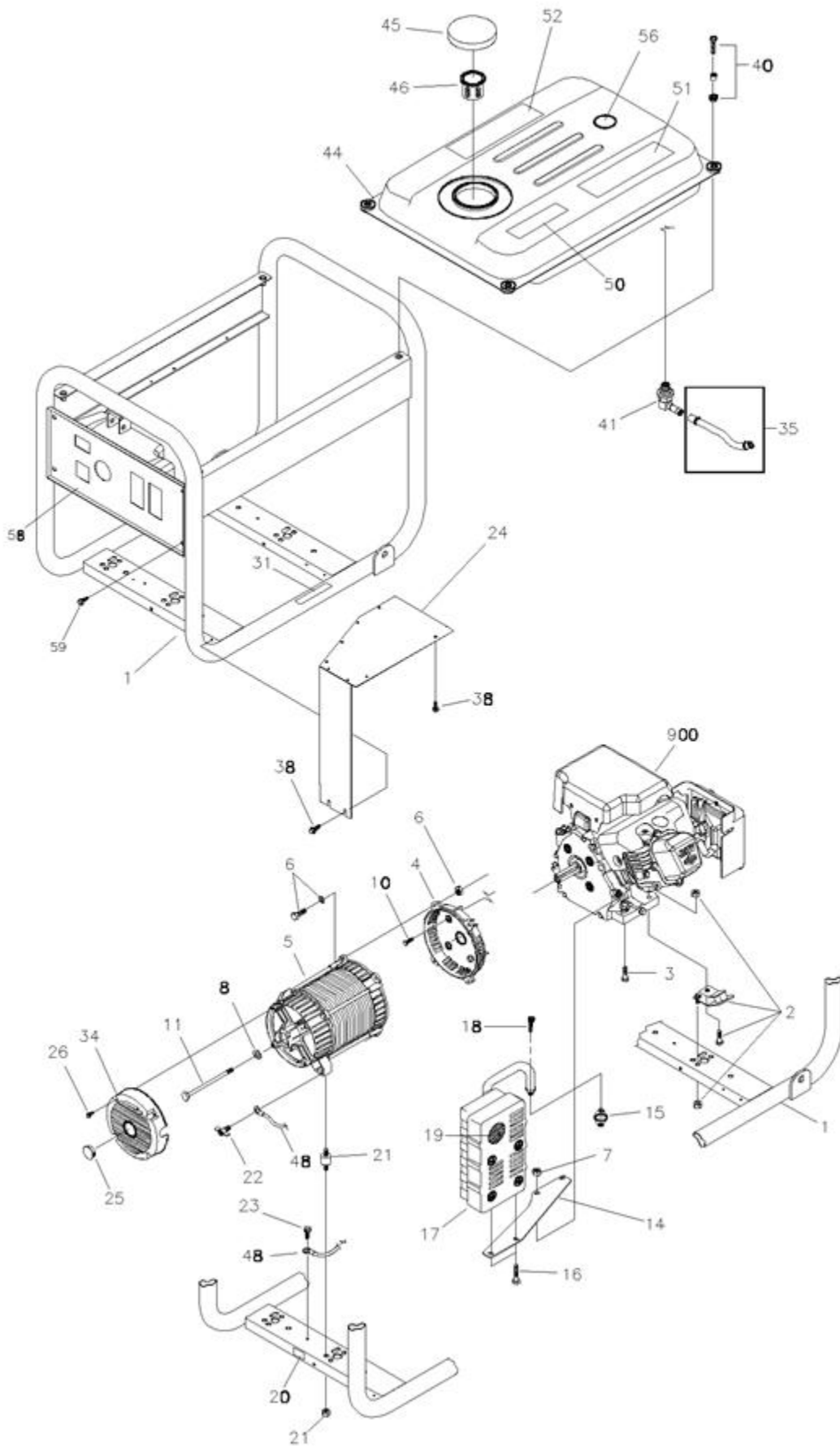


Ref #	Part #	Description	Qty	Context	Note	Foot	Note
1	186059GS	ADAPTER, Mounting, Alternator					
2	198501GS	ASSY, Rotor (Includes Item 11)					
3	198500AGS	STATOR					
4	193336GS	RBC, (with O-Ring p/n 189197GS)					
5	86308GS	HHCS, M6 - 1.0 x 115 SEMS					
6	66386GS	ASSY, Holder, Brush					
7	66849GS	TAPTITE, M5 - 0.8 x 16					
8	22694GS	RECEPTACLE, 6 pin					
9	81917GS	PIN, Roll, 4mm x 10					
10	193428AGS	ASSY, Wire, Ground					
11	65791GS	BEARING					
12	189769GS	BOARD, Circuit, System Control, Micro					



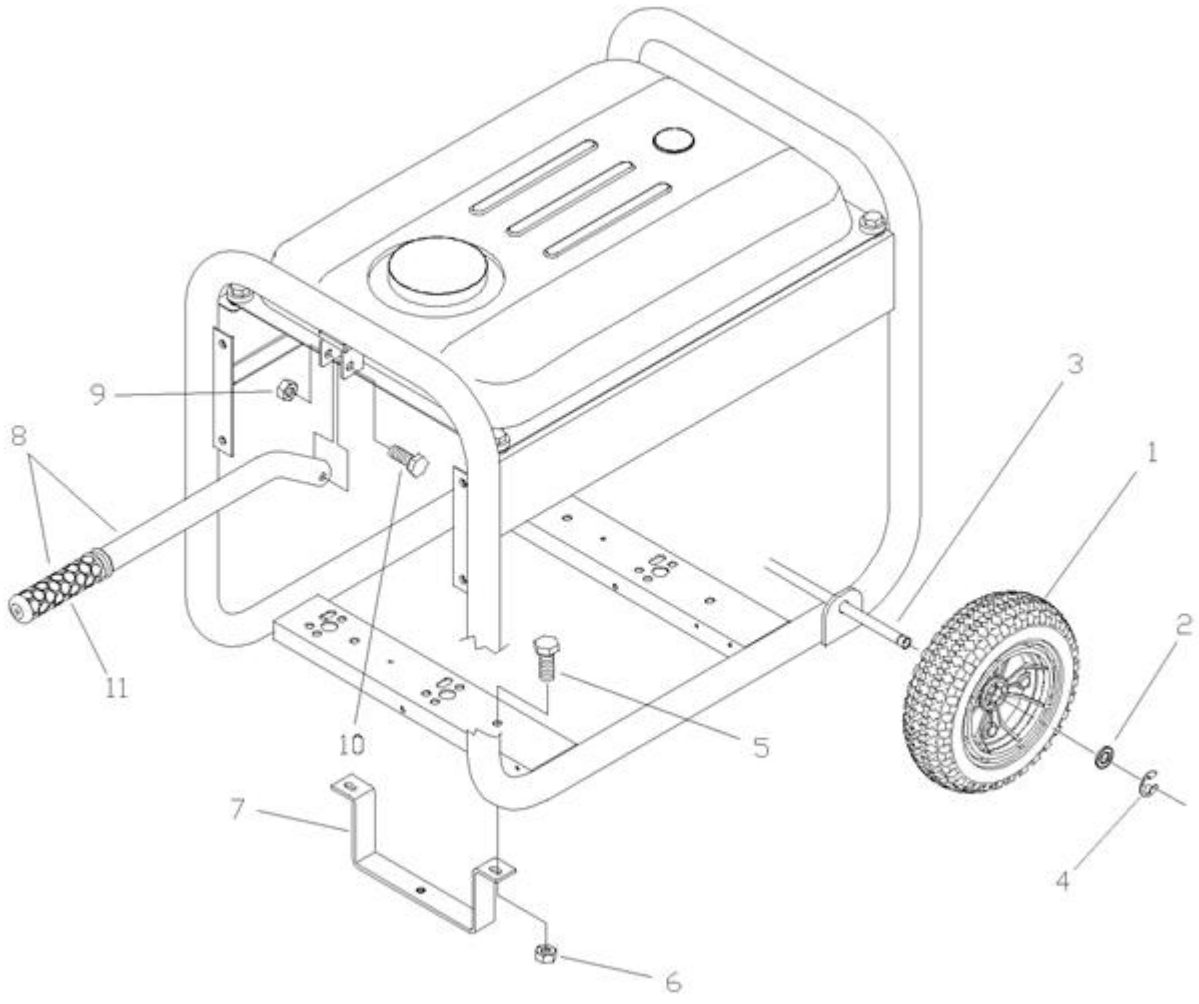
Ref #	Part #	Description	Qty	Context Note	Foot Note
1	198234GS	PANEL, Control			
2	198236GS	BOX, Control Panel			
3	191479CGS	BREAKER, Circuit, 15A			
4	198245GS	METER, Hour			
5		WASHER, Shakeproof, Int. #8		Purchase locally	
6	68867GS	OUTLET, 120/240V, 20A			
7	94373GS	OUTLET, 120V, 15A Duplex			
8		WASHER, Flat, M4		Purchase locally	
9		WASHER, Lock, M4		Purchase locally	
10		NUT, M4 - 0.7		Purchase locally	
11	198495GS	SCREW, 4 x 18, Tapping			
12	193095GS	JUMPER, Terminal Block			
13	193427GS	STRIP, Terminal, 3 Pole			
14		WASHER, Flat, M5		Purchase locally	
15		WASHER, Lock, M5		Purchase locally	
16		NUT, M5 - 0.8		Purchase locally	
17		NUT, M3 - 0.5		Purchase locally	
18	22694GS	HOUSING, Plug			
19		WASHER, Lock, M3		Purchase locally	
20		PPHMS, M3 x 18.0		Purchase locally	

Ref #	Part #	Description	Qty	Cont
-------	--------	-------------	-----	------



Ref #	Part #	Description	Qty	Cont
1	B198124GS	KIT, Cradle		
2	194150GS	KIT, Vibration Mount		
3	195398GS	TPHMS, M8 - 1.25 x 35		
4	186058AGS	ADAPTER, Engine		
5	NSP	ASSY, Alternator (see page 5)		
6	194151GS	KIT, Adapter Mounting Hardware		
7	67989GS	NUT, M8 Flange Serrated		
8	96796GS	WASHER		
10		HHCS, 5/16 -24 x 3/4, Sems		Purchase locally
11	24823GS	HHCS, 5/16 - 24 x 7-7/8"		
14	191785GS	BRACKET, Muffler		
15	697815	GASKET, Exhaust		
16		HHCS, M6 - 1.0 x 12 w/ LW		Purchase locally
17	188301GS	MUFFLER		
18	40945GS	SHCS, M6 - 1.0 x 20		
19	83083GS	SCREEN, Spark Arrest		
20	B4986GS	DECAL, Ground		
21	194153GS	KIT, Vibration Mount		
22	86494GS	SCREW, Wing M6 - 1.0 x 16		
23	86292GS	SCREW, 10 - 16 x 3/4, Self Drill		
24	198218GS	ASSY, Heat Shield		
25	191190GS	CAP		
26	74908GS	TAPTITE, M5 - 0.8 x 10		
31	196830GS	DECAL, Caution Hot Muffler		
34	195422GS	COVER, RBC Plastic with Cap		
35	194265GS	KIT, Hose, Fuel		
38	56893GS	CRIMPTITE, 10-24 x 1/2		
40	197618GS	KIT, Fuel Tank Hardware		
41	195590GS	FITTING, Elbow Tank		
44	198219GS	ASSY, Tank Fuel (Includes Items 41, 50, 51 & 52)		
45	189135GS	CAP, Tank Fuel		
46	197499GS	STRAINER, Tank Fuel		
48	195373GS	WIRE, Ground		
50	188333GS	DECAL, Instruction Fuel Level		
51	194799GS	DECAL, Danger		
52	189235GS	DECAL, Start Instructions		
56	189136GS	GAUGE, Fuel		
58	198235GS	ASSY, Control Panel (see page 4)		

Ref #	Part #	Description	Qty	Cont
59	198611GS	PPHS, 1/4 - 20 x 0.5		
900		ENGINE	Contact Engine Manufacturer	
	197929GS	MANUAL, User's	Parts Not Illustrated	
	MS6737	MANUAL, Engine	Parts Not Illustrated	
	BB3061BGS	BOTTLE, Oil	Parts Not Illustrated	
	I897I4GS	SET, Cord	Parts Not Illustrated	
	198674GS	KIT, Decals Srv	Parts Not Illustrated	



Ref #	Part #	Description	Qty	Context Note	Foot Note
1	197577GS	WHEEL			
2		WASHER, 1/2"		Purchase locally	
3	198248GS	AXLE			
4	192050GS	E-RING			
5		HHCS, M8 1.25 x 20		Purchase locally	
6	67989GS	NUT, M8, Flange Serrated			
7	198441GS	SUPPORT, Wheel Kit			
8	B198440GS	ASSY, Handle (Includes Item 11)			
9	49820GS	NUT, M8 1.25 Nylok			
10		HHCS, M8 - 1.25 x 45		Purchase locally	
11	189718GS	GRIP			