

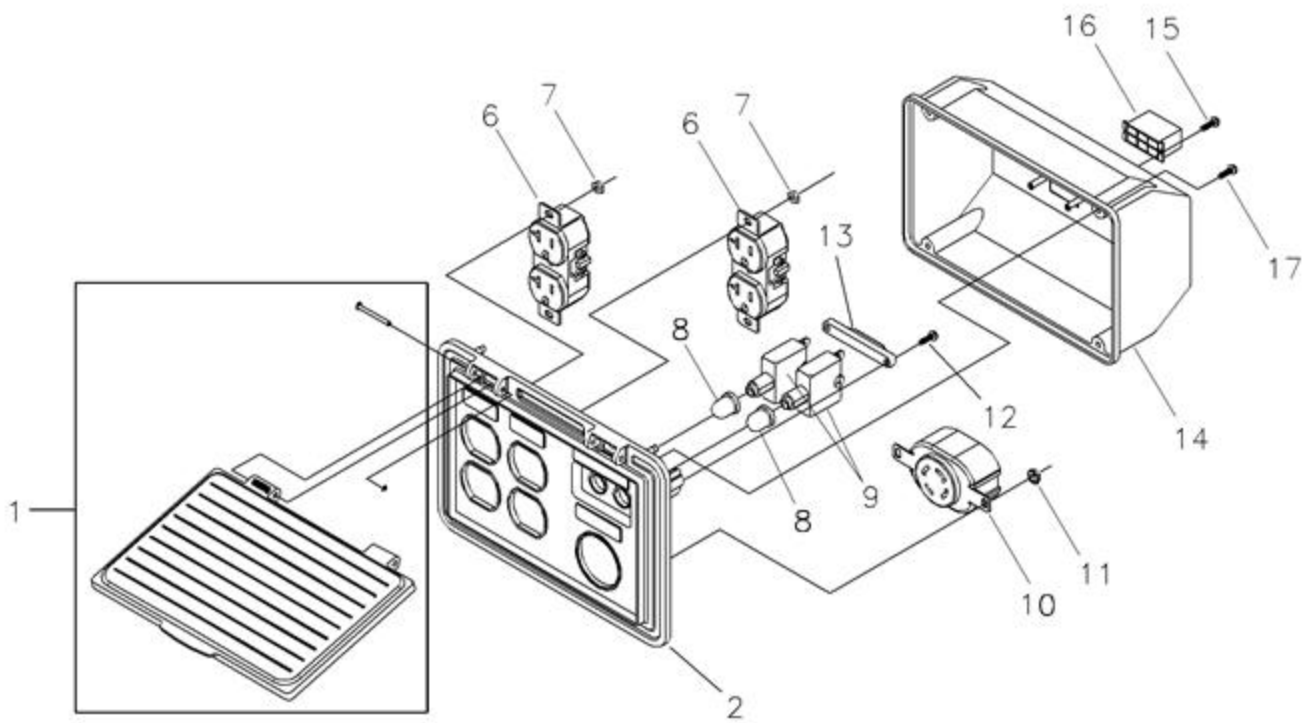
Ref #	Part #	Description	Qty	Context	Note	Foot	Note
1	186059GS	ADAPTER, Mounting, Alternator					
2	191043GS	ASSY., Rotor (Includes Item 12)					
3	191042AGS	STATOR					
4	186060GS	RBC, with O-Ring (p/n 189197GS)					
5	86308CGS	HHCJ., M6 - 1.0 x 13(.EMS					
6	91825GS	ASSEMBLY, Holder, Rectifier/Brush					
7	66849GS	TAPTITE, M5 - 0.8 x 16					
8	22694GS	RECEPTACLE, 6 pin					
9	81917GS	PIN, Roll, 4mm x 10					
10	193428AGS	WIRE-A, Ground					
11	194274GS	HARNESS, Wire, Power					
12	65791GS	BEARING					

Ref #

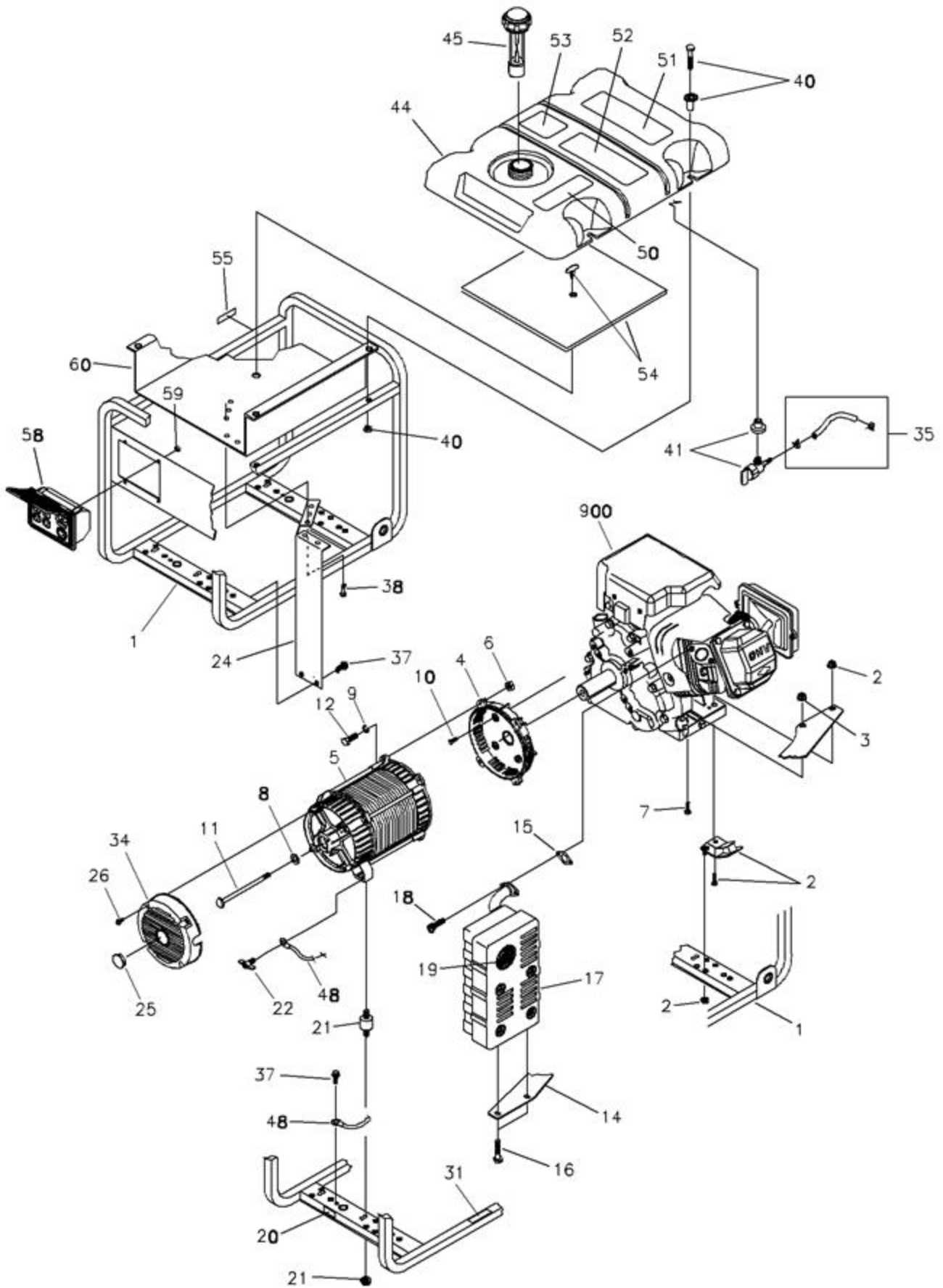
Part #

Description

Qty

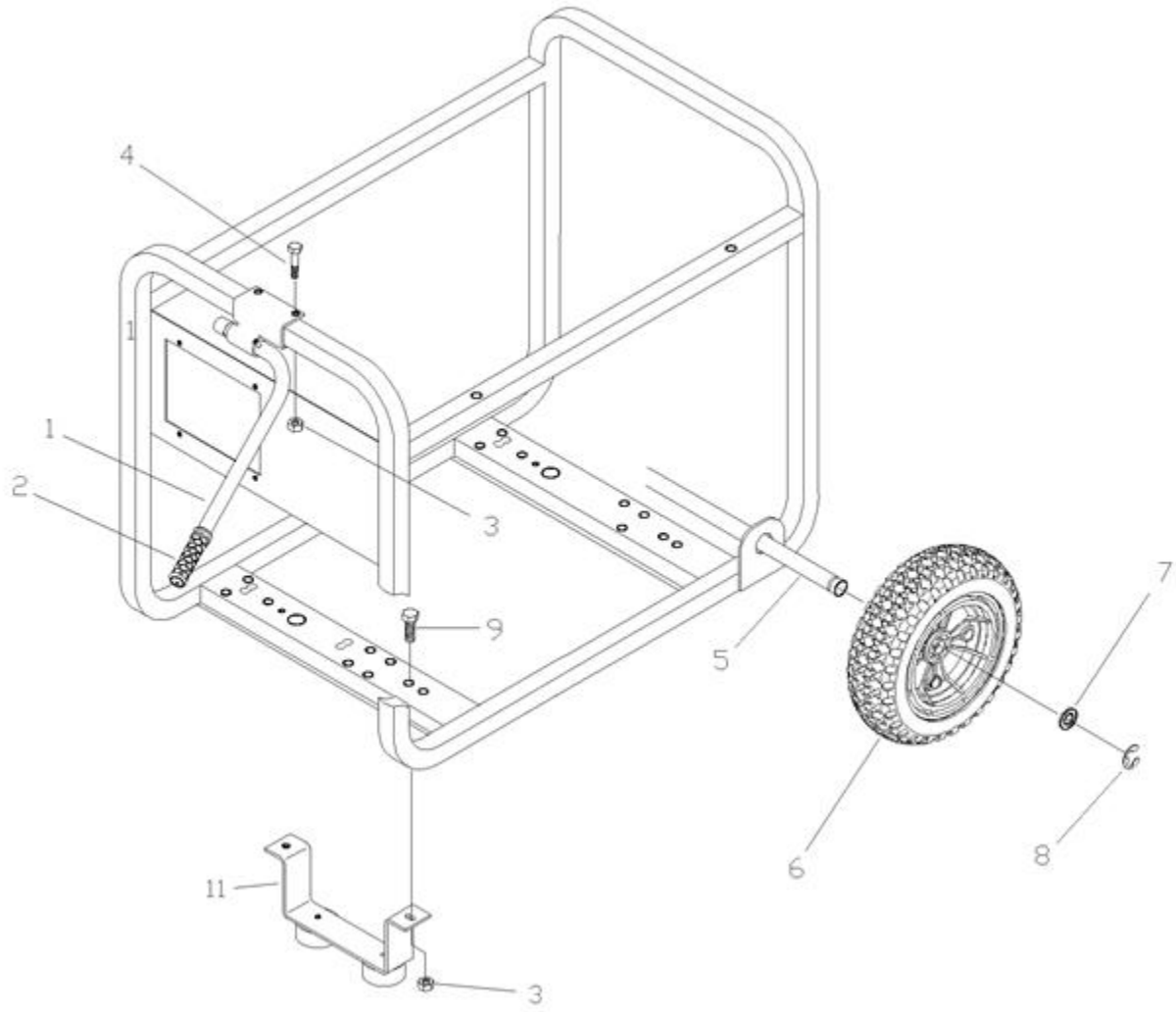


	Ref #	Part #	Description	Qty
1	195112GS	KIT, Control Panel Lid		
2	188889GS	CONTROL PANEL, Compact		
6	68759GS	OUTLET, 120V, 20Amp, Duplex		
7	-----	NUT, Palnut, Pushnut, 5/32	Purchase locally	
8	84198GS	CAP, Circuit Breaker		
9	75207GS	CIRCUIT BREAKER		
10	43437GS	OUTLET, 120/240 Locking, 30A		
11	-----	NUT, Palnut, Pushnut, 3/16	Purchase locally	
12	-----	SCREW, Phillips, Head 3.5 x 18	Purchase locally	
13	93857GS	BAR, Retaining		
14	188890GS	COVER, Back, Control Panel		
15	82308GS	SCREW, Self Tapping, STC 3 x 18		
16	22694GS	HOUSING, Receptacle		
17	-----	SCREW, Phillips, 3.5 x 14	Purchase locally	



Ref #	Part #	Description	Qty	Context Note	Foot Note
1	M197544GS	CRADLE (Includes #'s 20, 31 & 55)			
2	194150GS	KIT, Vibration Mount 45°			
3	67989GS	NUT, M8 Flange Serrated			
4	190220GS	HOUSING, Engine Adapter			
5	-----	ALTERNATOR, Complete			
6	-----	NUT, Hex, M8 - 1.25		Purchase locally	
7	96796GS	TPHMS, M8 - 1.25 x 35		Purchase locally	
8	-----	WASHER, 8.4 x 22.2 x 3			
9	-----	WASHER, 5/16 - M8, Lock		Purchase locally	
10	190274BGS	SBHCS, 3/8-16 x 1.0 Lg			
11	47480GS	HHCS, 5/16-24 x 7			
12	-----	HHCS, M8 - 1.25 x 25		Purchase locally	
14	189009GS	BRACKET, Muffler			
15	695398	GASKET, Exhaust			
16	-----	HHCS, M6 - 1.0 x 12		Purchase locally	
17	189008GS	MUFFLER			
18	-----	SHCS, 5/16 - 18 x 7/8"		Purchase locally	
19	83083GS	SCREEN, Spark Arrest			
20	B4986GS	DECAL, Ground, Green			
21	194153GS	KIT, Vibration Mount			
22	86494GS	SCREW, Wing M6 - 1.0 x 16			
24	194390GS	SHIELD, Heat			
25	191190GS	CAP			
26	74908GS	SCREW, M5-0.8 x 10, Taptite			
31	196830GS	DECAL, Hot Muffler			
34	195422GS	COVER, RBC, Plastic w/Cap			
35	791745	KIT, Fuel Hose (cut to fit)			
37	B2153GS	SCREW, 12-14 x 7/8 Self Drilling			
38	56893GS	SCREW, 10-24 x 1/2 Crimptite			
40	195477GS	KIT, Fuel Tank Hardware (Includes Qty of 4)			
41	192980GS	KIT, Valve, Tank			
44	194217GS	ASSY., Tank, Fuel 7-Gallon (Includes Items 41, 50, 51, 52 & 53)			
45	B4363GS	CAP, Fuel Gauge			
48	195373GS	WIRE, Ground			
50	188333GS	DECAL, Gas Fill			
51	194799GS	DECAL, Danger			
52	189235GS	DECAL, Start Instructions			

Ref #	Part #	Description	Qty	Context Note	Foot Note
53	202997GS	DECAL, Warning, CO			
54	194448GS	KIT, Insulation w/Clip			
55	197798GS	DECAL, Fuel Shut-off			
58	190355GS	ASSY, Control Panel			
59	189164GS	NUT, Palnut, 3/16"			
60	194389GS	SHIELD, Heat			
900	-----	ENGINE		Contact Engine Manufacturer	
--	BB3061GS	BOTTLE, Oil		Parts Not Illustrated	
--	197023GS	MANUAL, Operator's		Parts Not Illustrated	
--	202180GS	DECAL, Family, CA EVP		Parts Not Illustrated	
--	197659GS	KIT, Decals, Service		Parts Not Illustrated	



Ref #	Part #	Description	Qty	Context Note	Foot Note
1	189715GS	ASSY., Handle w/Grip			
2	189718GS	GRIP			
3	52858GS	NUT, Locking Hex M8 - 1.25			
4	-----	HHCS, M8 - 1.25 x 45		Purchase locally	
5	191267GGS	AXLE			
6	196517GS	WHEEL			
7	-----	WASHER, 5/8"		Purchase locally	
8	191265GS	E-RING			
9	-----	HHCS, M8 - 1.25 x 20		Purchase locally	
11	204536GS	ASSY., Support w/Mounts			
--	189738GS	SUBKIT, Hardware		Part Not Illustrated	