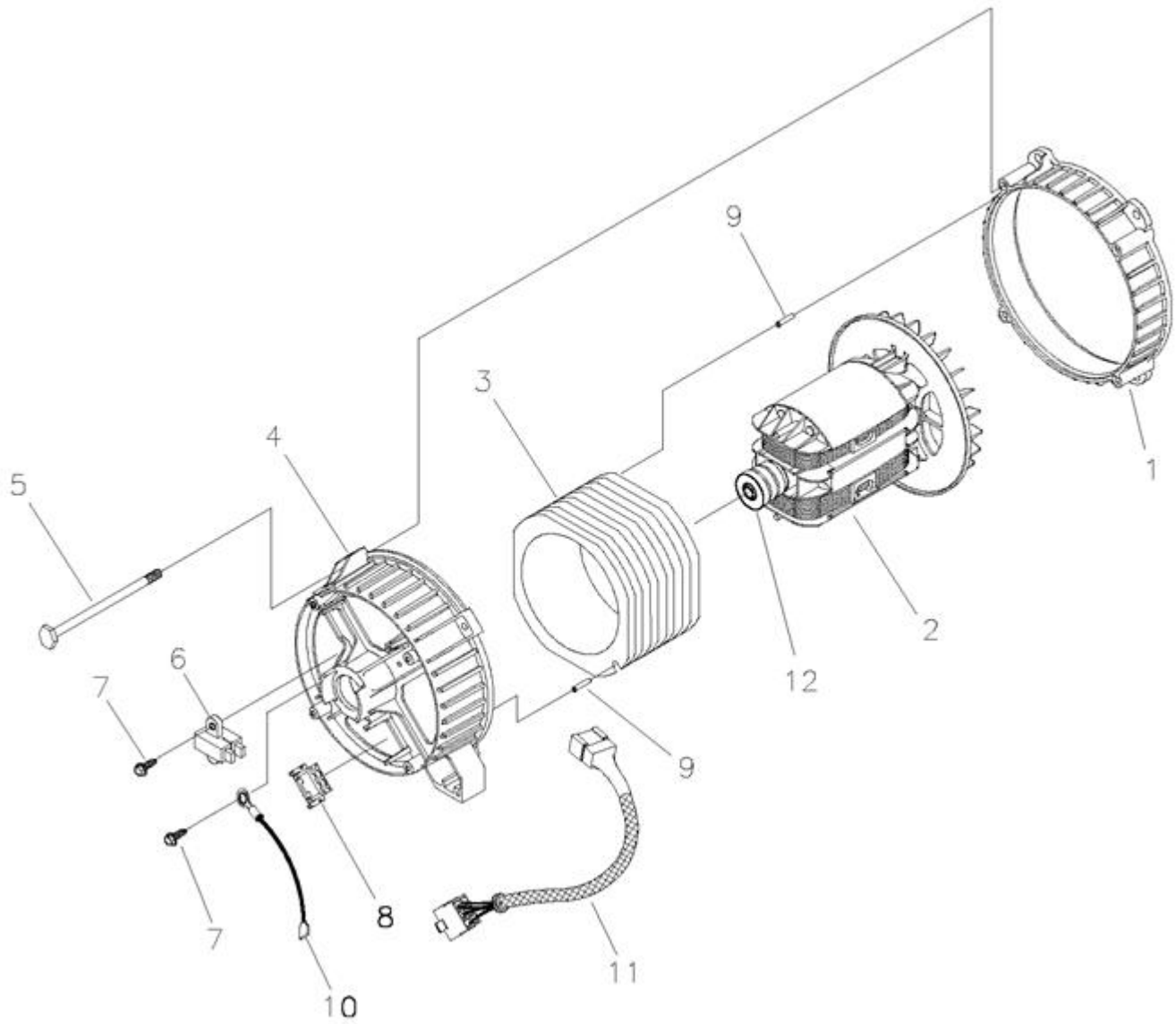
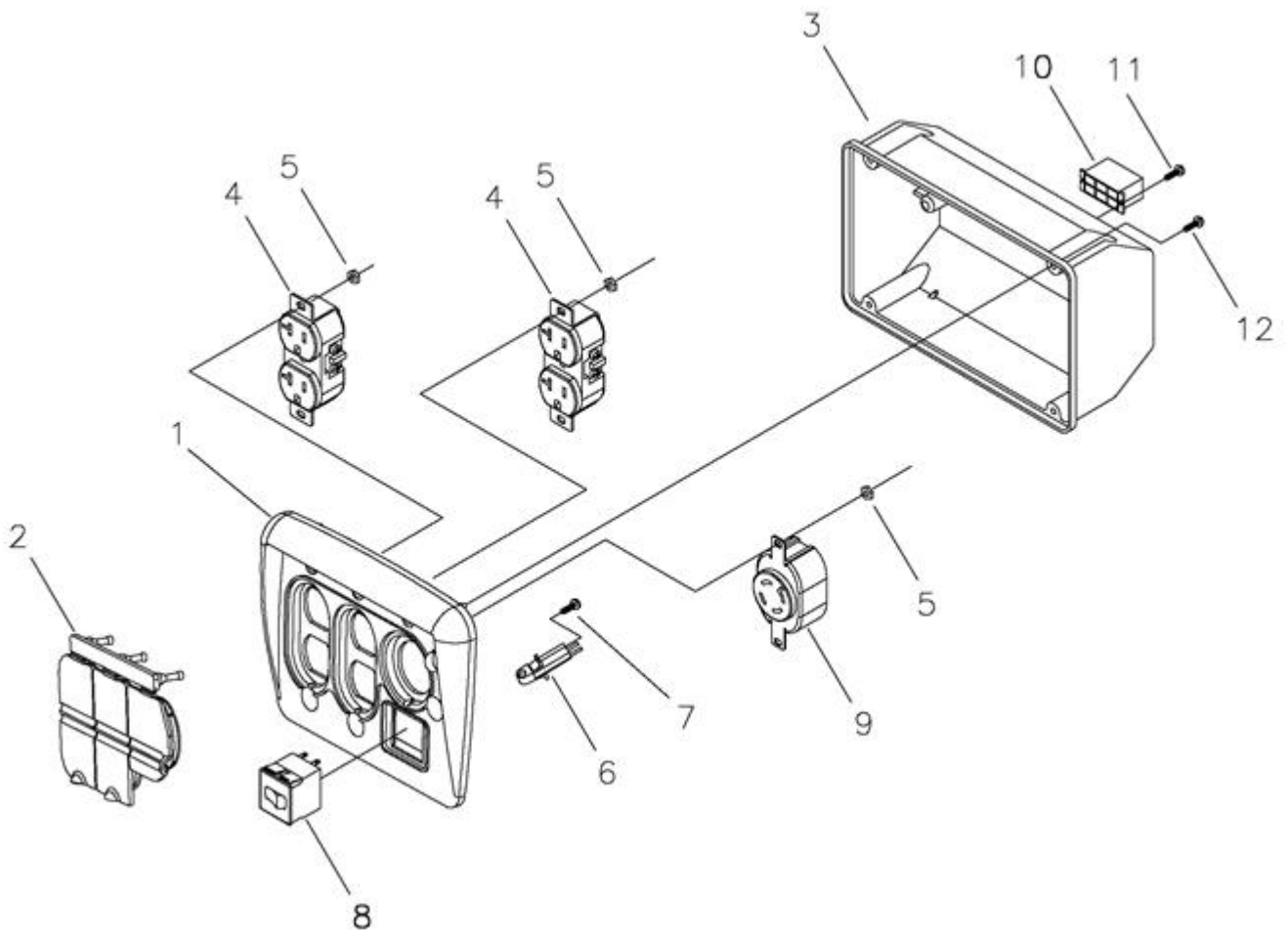


Ref #	Part #	Description	Qty	Context Note	Foot Note
-------	--------	-------------	-----	--------------	-----------

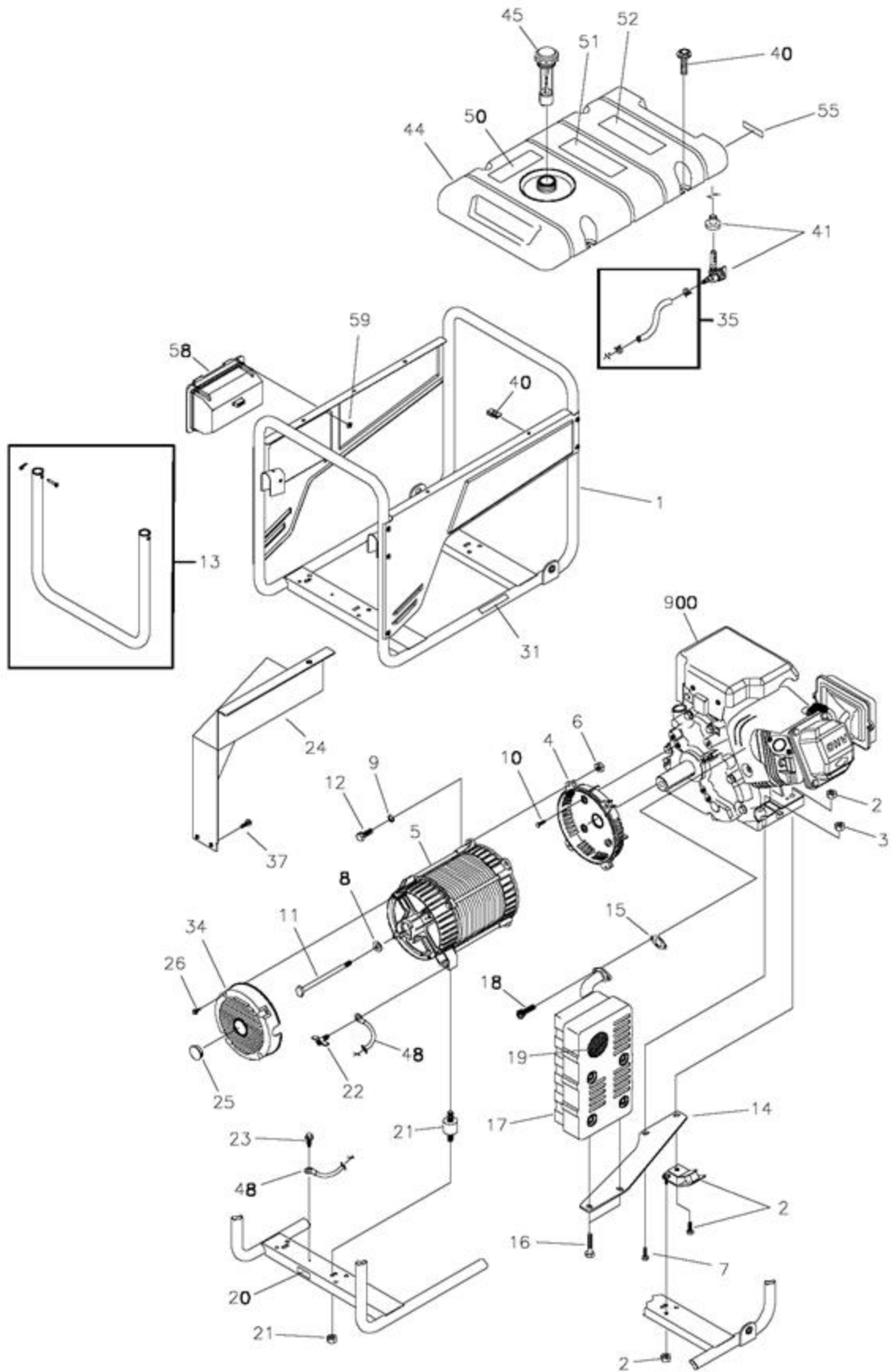


Ref #	Part #	Description	Qty	Context Note	Foot Note
1	186059GS	ADAPTER, Mounting, Alternator			
2	191043GS	ROTOR			
3	191042AGS	STATOR			
4	186060GS	RBC, with O-Ring (p/n 189197GS)			
5	86308CGS	HHCS, M6 - 1.0 x 130 SEMS			
6	91825GS	ASSY, Holder, Rectifier/Brush			
7	66849GS	TAPTITE, M5 - 0.8 x 16			
8	22694GS	RECEPTACLE, 6 pin			
9	81917GS	PIN, Roll, 4mm x 10			
10	193428AGS	ASSY, Wire, Ground			
11	194274GS	HARNESS, Wire, Power			
12	65791GS	BEARING			
--	189197GS	O-Ring			

Ref #	Part #	Description	Qty	Context Note	Foot Note
-------	--------	-------------	-----	--------------	-----------

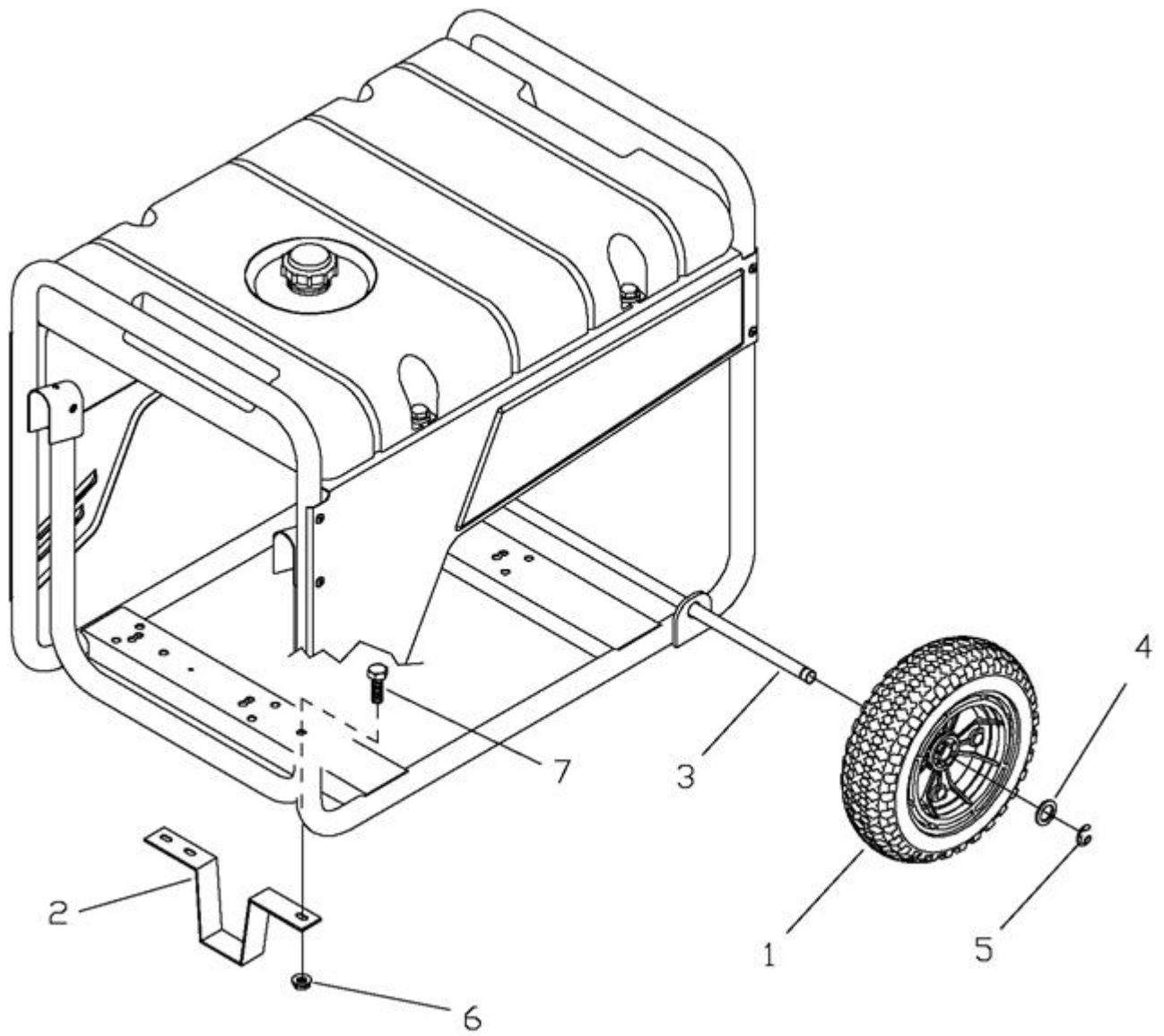


Ref #	Part #	Description	Qty	Context Note	Foot Note
1	197471GS	PANEL, Control			
2	197472GS	COVER, Outlet Flip			
3	188890GS	COVER, Back Panel			
4	197731GS	OUTLET, 120V, 15/20A Duplex			
5	189165GS	NUT, 5/32 Pal			
6	197729GS	MODULE, Led			
7	197958GS	SCREW, 3 x 6, Tapping			
8	191479DGS	BREAKER, Circuit, 20A			
--	191481GS	BOOT, Breaker Circuit		(not shown)	
9	43437GS	OUTLET, 120/240V, 30A			
10	22694GS	HOUSING, Receptacle, 6 Pin			
11	82308GS	SCREW, 3 x 18, Tapping			
12	192241GS	SCREW, 3.5 x 14, Tapping			



Ref #	Part #	Description	Qty	Context Note	Foot Note
1	198163GS	KIT, Cradle			
2	194150GS	KIT,Vibration, Mount, 45°			
3	67989GS	NUT, M8 Flange Serrated			
4	190220GS	HOUSING, Engine Adapter			
5	NSP	ASSY,Alternator		(see "Alternator")	
6	-----	NUT, Hex M8 - 1.25		(Purchase locally)	
7	195398GS	TPHMS, M8 - 1.25 x 35			
8	96796GS	WASHER,M8 Flat			
9	-----	WASHER,M8 Lock		(Purchase locally)	
10	-----	SBHCS, 3/8-16 x 1.0 Lg.		(Purchase locally)	
11	47480GS	HHCS, 5/16-24 x 7			
12	-----	HHCS, M8 - 1.25 x 25		(Purchase locally)	
13	198165GS	KIT, Handle			
14	189009GS	BRACKET,Muffler			
15	695398	GASKET, Exhaust			
16	-----	HHCS, M6 - 1.0 x 12 w/LW		(Purchase locally)	
17	189008GS	MUFFLER			
18	-----	SCREW, 5/16 - 18 x 3/4"		(Purchase locally)	
19	83083GS	SCREEN,Spark Arrest			
20	B4986GS	DECAL, Ground, Green			
21	194153GS	KIT,Vibration Mount			
22	86494GS	SCREW,Wing M6 - 1.0 x 16			
23	86292GS	SCREW, 10 - 16 x 3/4, Self Drill			
24	197424GS	SHIELD, Heat			
25	191190GS	CAP			
26	74908GS	SCREW, M5-0.8 x 10,Taptite			
31	196830GS	DECAL, Exhaust Warning			
34	195422GS	COVER,RBC with Cap			
35	791745	KIT, Fuel Hose (cut to fit)			
37	56893GS	CRIMPTITE,10-24 x 1/2			
40	199433GS	KIT,Fuel Tank Hrdwr w/ U-Clips			
	199284GS	U-CLIPS		(Optional Accessory)	
41	192980GS	KIT,Valve, Fuel Tank			
44	193668GS	ASSY,Tank, Fuel		(Includes Items 41, 50, 51, 52 & 55)	
45	B4363GS	CAP,Fuel Gauge			
48	195373GS	WIRE, Ground			
50	188333GS	DECAL,Gas Fill			
51	194799GS	DECAL,Danger			

Ref #	Part #	Description	Qty	Context Note	Foot Note
52	189235GS	DECAL, Start Instructions			
55	197798GS	DECAL, Shut-Off, Fuel			
58	197641GS	ASSY, Control Panel (see "Control Panel")			
59	-----	NUT, Palnut, 3/16"		(Purchase locally)	
900	-----	ENGINE		Contact Engine Manufacturer	
	200907GS	MANUAL, Operator`s		Not Illustrated	
	BB3061GS	BOTTLE, Oil		Not Illustrated	
	199384GS	DECAL, Family, CA EVP		Not Illustrated	
	197474GS	CORDSET, Storm		Not Illustrated	
	198166GS	KIT, Decals		Not Illustrated	
	100031	STABILIZER, Fuel		Optional Accessories	



Ref #	Part #	Description	Qty	Context Note	Foot Note
1	196517GS	WHEEL			
2	B1764GS	SUPPORT,Wheel Kit			
3	191267HGS	AXLE			
4	-----	WASHER, 5/8"		(Purchase locally)	
5	191265GS	E-RING			
6	52858GS	NUT, M8 - 1.25 Lock			
7	-----	HHCS, M8 - 1.25 x 16		(Purchase locally)	