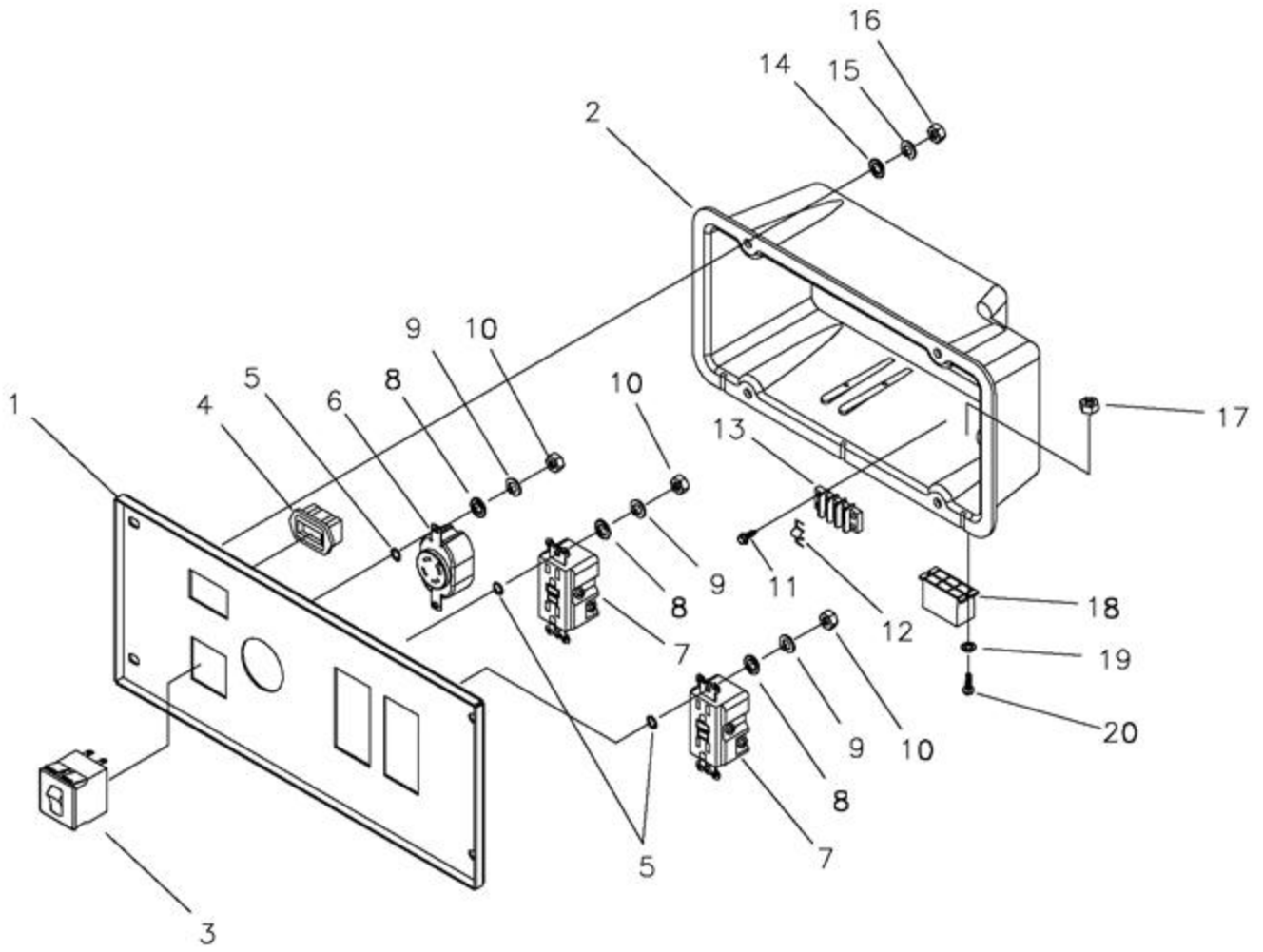
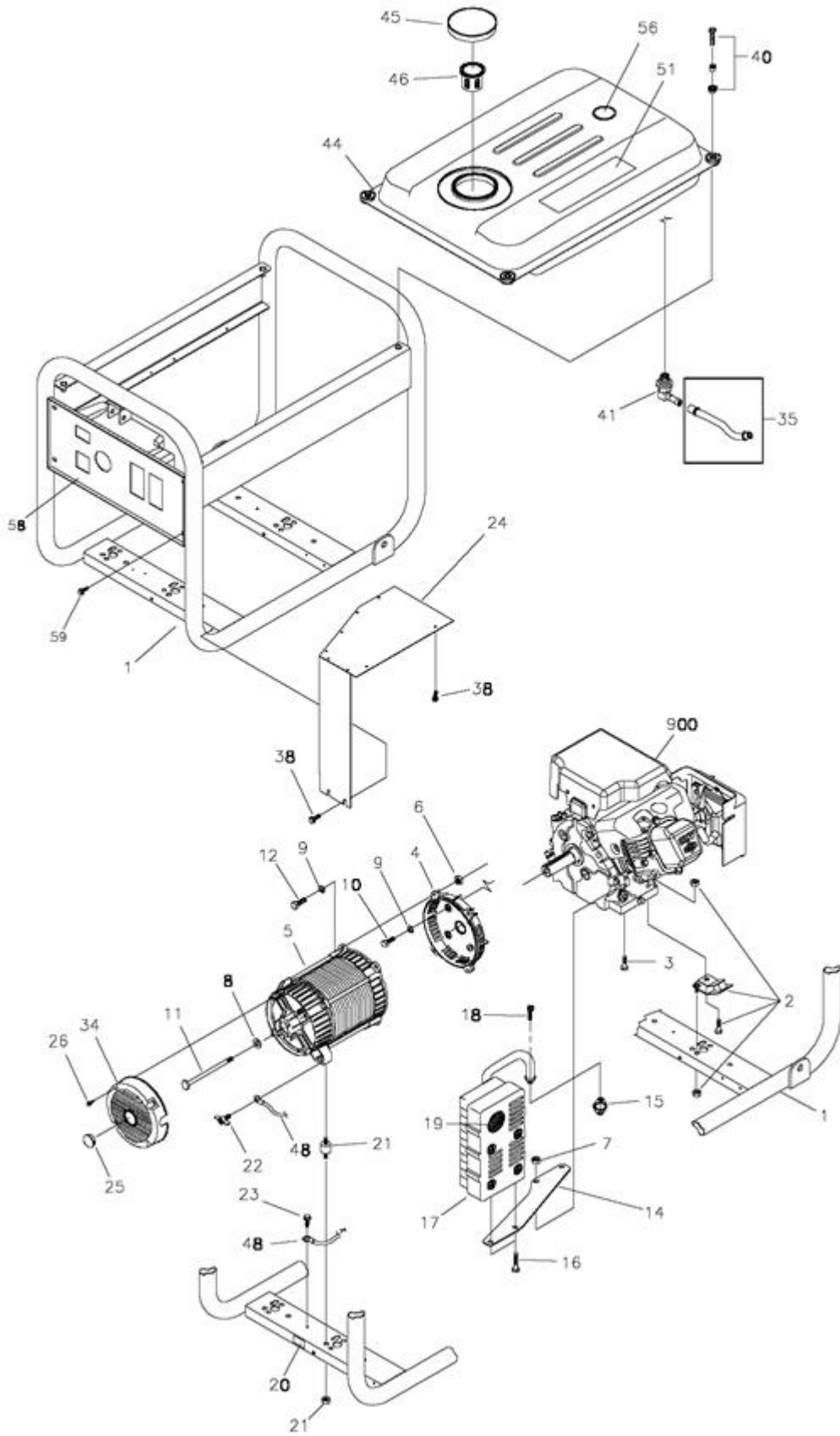


Ref #	Part #	Description	Qty	Context Note	Foot Note
1	186059GS	ADAPTER, Mounting, Alternator			
2	198501GS	ASSY, Rotor		(Includes Item 11)	
3	198500AGS	STATOR			
4	193336GS	RBC, (with O-Ring p/n 189197GS)			
5	86308GS	HHCS, M6 - 1.0 x 115 SEMS			
6	66386GS	ASSY, Holder, Brush			
7	66849GS	TAPTITE, M5 - 0.8 x 16			
8	22694GS	RECEPTACLE, 6 pin			
9	81917GS	PIN, Roll, 4mm x 10			
10	193428AGS	ASSY,Wire, Ground			
11	65791GS	BEARING			
12	189769GS	BOARD, Circuit, System Control, Micro			
	189197GS	O-Ring			

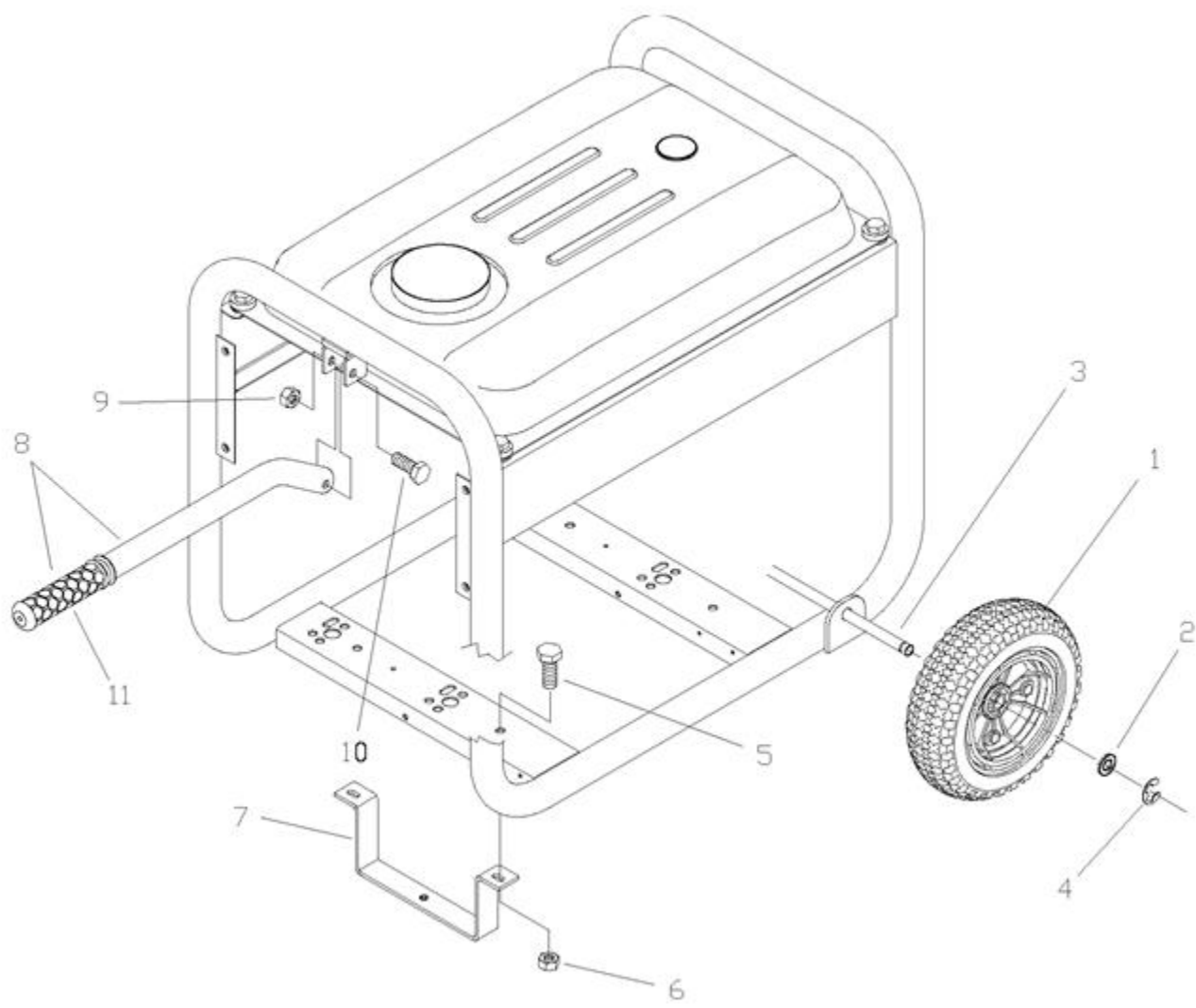


Ref #	Part #	Description	Qty	Context Note	Foot Note
1	198234GS	PANEL, Control			
2	198236GS	BOX, Control Panel			
3	191479CGS	BREAKER, Circuit, 15A			
4	198245GS	METER, Hour			
5	-----	WASHER, Shakeproof, Int. #8		(Purchase locally)	
6	68867GS	OUTLET, 120/240V, 20A			
7	94373GS	OUTLET, 120V, 15A Duplex			
8	-----	WASHER, Flat, M4		(Purchase locally)	
9	-----	WASHER, Lock, M4		(Purchase locally)	
10	-----	NUT, M4 - 0.7		(Purchase locally)	
11	198495GS	SCREW, 4 x 18, Tapping			
12	193095GS	JUMPER, Terminal Block			
13	193427GS	STRIP, Terminal, 3 Pole			
14	-----	WASHER, Flat, M5		(Purchase locally)	
15	-----	WASHER, Lock, M5		(Purchase locally)	
16	-----	NUT, M5 - 0.8		(Purchase locally)	
17	-----	NUT, M3 - 0.5		(Purchase locally)	
18	22694GS	HOUSING, Plug			
19	-----	WASHER, Lock, M3		(Purchase locally)	
20	-----	PPHMS, M3 x 18.0		(Purchase locally)	



Ref #	Part #	Description	Qty	Context Note	Foot Note
1	B198491GS	KIT, Cradle			
2	194150GS	KIT, Vibration Mount			
3	195398GS	TPHMS, M8 - 1.25 x 35			
4	186058AGS	ADAPTER, Engine			
5	NSP	ASSY, Alternator		(see "Alternator")	
6		NUT, Hex M8 - 1.25		(Purchase locally)	
7	67989GS	NUT, M8 Flange Serrated			
8	96796GS	WASHER			
9		WASHER, Lock 5/16 - M8		(Purchase locally)	
10		HHCS, M8 - 1.25 x 7-7/8		(Purchase locally)	
11	24823GS	HHCS, 5/16 - 24 x 7-7/8"			
12		HHCS, M8 1.25 x 25		(Purchase locally)	
14	191785GS	BRACKET, Muffler			
15	697815	GASKET, Exhaust			
16		HHCS, M6 - 1.0 x 12 w/ LW		(Purchase locally)	
17	188301GS	MUFFLER			
18	40945GS	SHCS, M6 - 1.0 x 20			
19	83083GS	SCREEN, Spark Arrest			
20	B4986GS	DECAL, Ground			
21	194153GS	KIT, Vibration Mount			
22	86494GS	SCREW, Wing M6 - 1.0 x 16			
23	86292GS	SCREW, 10 - 16 x 3/4, Self Drill			
24	197601GS	ASSY, Heat Shield			
25	191190GS	CAP			
26	74908GS	TAPTITE, M5 - 0.8 x 10			
34	195422GS	COVER, RBC Plastic with Cap			
35	791745	KIT, Fuel Hose (cut to fit)			
38	56893GS	CRIMPTITE, 10-24 x 1/2			
40	197618GS	KIT, Fuel Tank Hardware			
41	195590GS	FITTING, Elbow Tank			
44	197620GS	ASSY, Tank Fuel		(Includes Items 41, 45, 46, 51 & 56)	
45	189135GS	CAP, Tank Fuel			
46	197499GS	STRAINER, Tank Fuel			
48	195373GS	WIRE, Ground			
51	197157GS	DECAL, Danger			
56	189136GS	GAUGE, Fuel			

Ref #	Part #	Description	Qty	Context Note	Foot Note
58	198235GS	ASSY, Control Panel		(see "Control Panel")	
59	198611GS	PPHS, 1/4 - 20 x 0.5			
900		ENGINE		Contact Engine Manufacturer	
	199454GS	MANUAL, Operator`s		Parts Not Illustrated	
	MS6737	MANUAL, Engine		Parts Not Illustrated	
	43483GS	PLUG, 250V, 20A		Parts Not Illustrated	
	200172GS	KIT, Decals Srv		Parts Not Illustrated	
	100031	STABILIZER, Fuel		Optional Accessories	



Ref #	Part #	Description	Qty	Context Note	Foot Note
1	197577GS	WHEEL			
2	-----	WASHER, 1/2"		(Purchase locally)	
3	198248GS	AXLE			
4	192050GS	E-RING			
5	-----	HHCS, M8 1.25 x 20		(Purchase locally)	
6	67989GS	NUT, M8, Flange Serrated			
7	198441GS	SUPPORT, Wheel Kit			
8	B198440GS	ASSY, Handle		(Includes Item 11)	
9	49820GS	NUT, M8 1.25 Nylok			
10	-----	HHCS, M8 - 1.25 x 45		(Purchase locally)	
11	189718GS	GRIP			