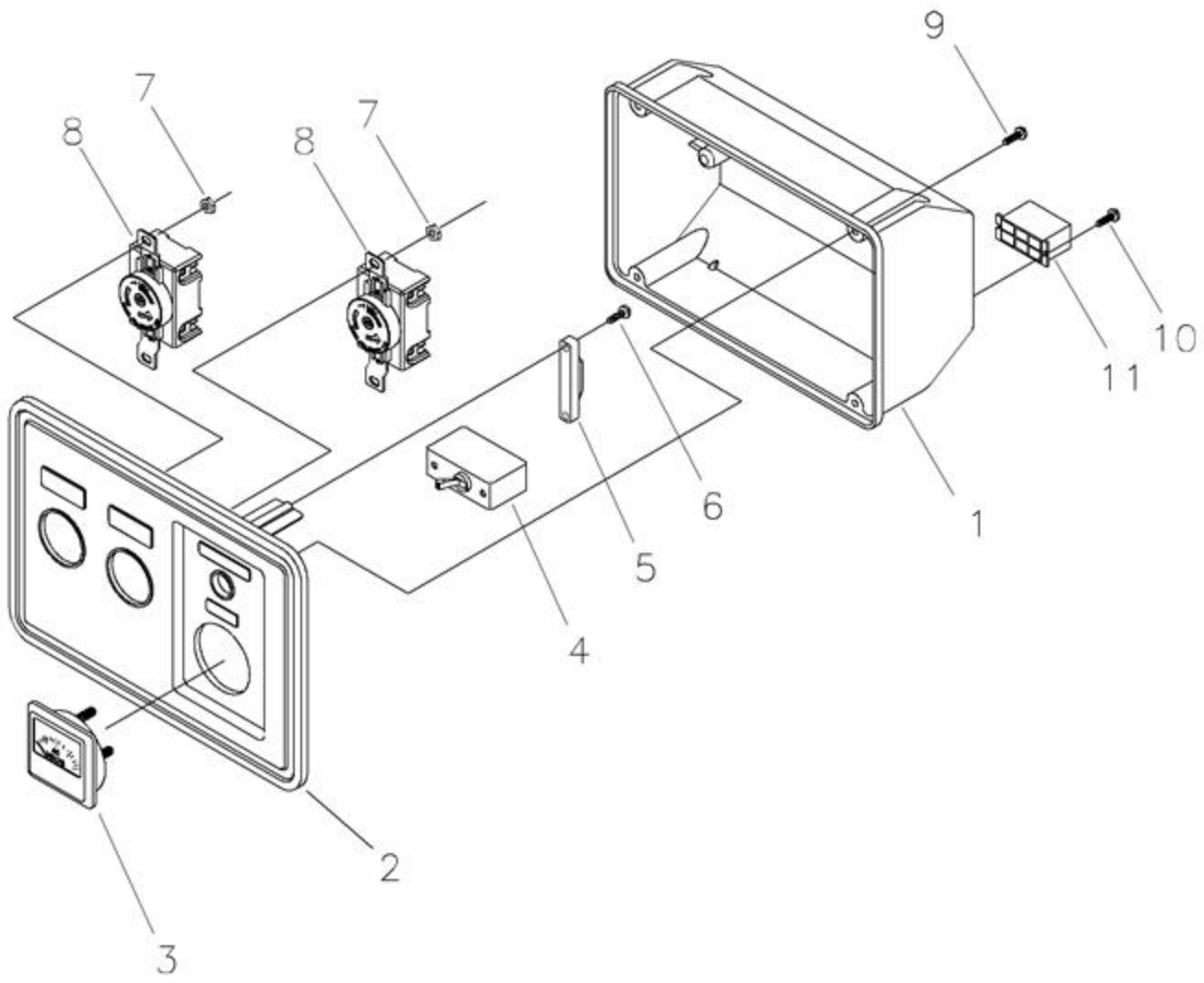
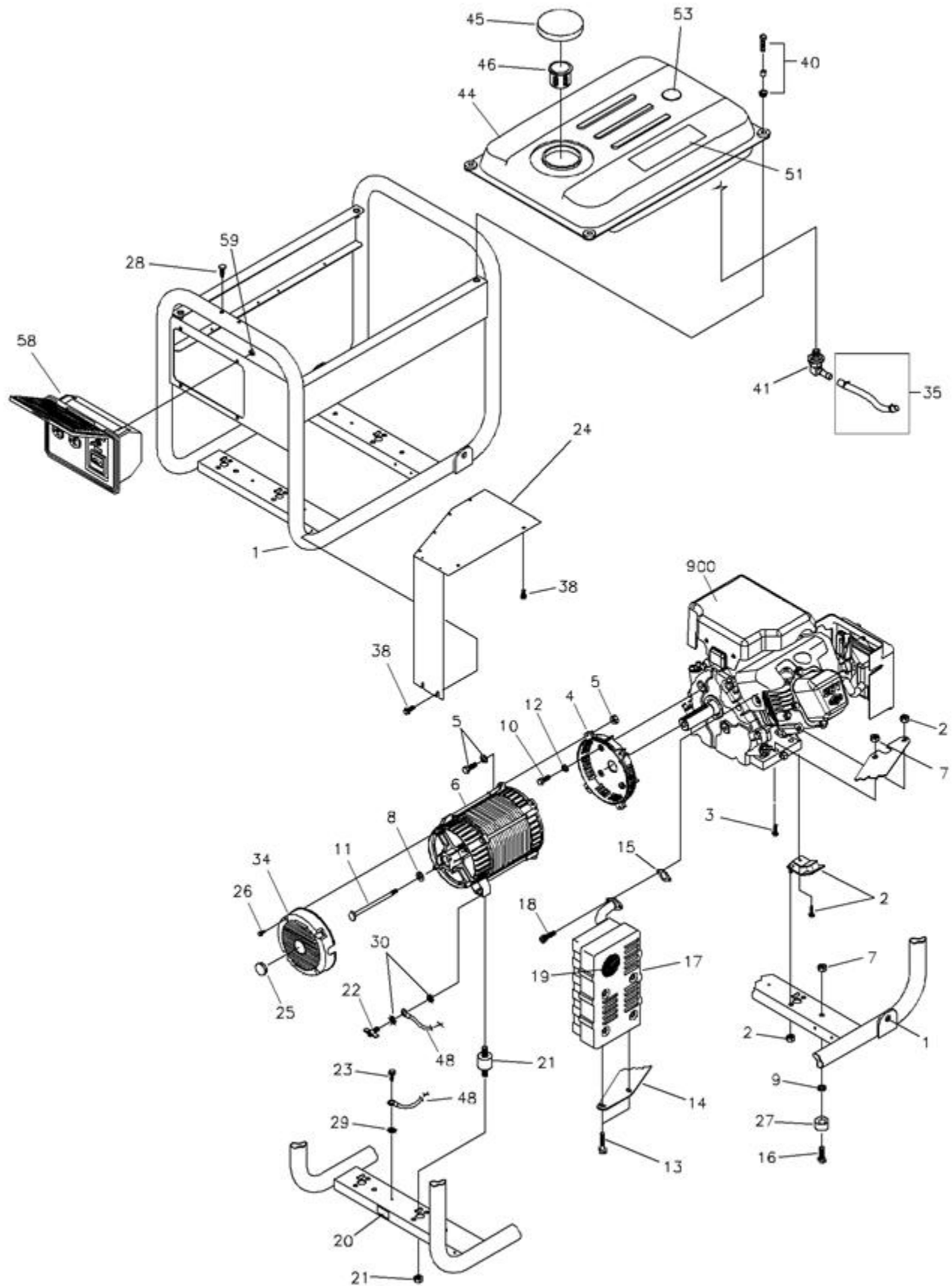


<b>Ref #</b>	<b>Part #</b>	<b>Description</b>	<b>Qty</b>	<b>Context</b>	<b>Note</b>	<b>Foot Note</b>
1	186059GS	ADAPTER, Mounting, Alternator				
2	195841GS	ROTOR				
3	195839AGS	STATOR				
4	186060GS	RBC, with O-Ring (p/n 189197GS)				
5	86308JGS	HHCS, M6 - 1.0 x 95 SEMS				
6	66386GS	ASSY, Holder, Brush				
7	66849GS	TAPTITE, M5 - 0.8 x 16				
8	22694GS	RECEPTACLE, 6 pin				
9	81917GS	PIN, Roll, 4mm x 10				
10	193428AGS	ASSY,Wire, Ground				
11	190356GS	HARNESS,Wire, Power				
12	189769GS	REGULATOR				
	189197GS	O-Ring				



<b>Ref #</b>	<b>Part #</b>	<b>Description</b>	<b>Qty</b>	<b>Context Note</b>	<b>Foot Note</b>
1	188890GS	BACK PANEL			
2	195783GS	PANEL, Control			
3	98242GS	METER, Volt			
4	195968BGS	BREAKER, Circuit, 15A			
5	196952GS	BAR, Retaining, Circuit Breaker			
6		PPPHS, M3 - 0.5 x 18		Purchase Locally	
7		PALNUT, 3/16		Purchase Locally	
8	195969GS	OUTLET, 230V, 20A Locking			
9	192241GS	SCREW, Tapping, 3.5 x 14			
10	82308GS	SCREW, Tapping, STC 3 x 18			
11	22694GS	HOUSING, Receptacle			



Ref #	Part #	Description	Qty	Context Note	Foot Note
1	B196749GS	CRADLE			
2	197567GS	KIT, Mount, Vibartion 45°			
3		PPHMS, M8 - 1.25 x 35		Purchase Locally	
4	186058AGS	HOUSING, Engine Adapter			
5	194151GS	KIT, Hrdwr, Mounting Adapter			
6	NSP	ASSY, Alternator		See Alternator"	
7	67989GS	NUT, M8 Flange Serrated			
8	96796GS	WASHER, 8.4 x 22.2 x 3			
9	193588GS	SPACER			
10		HHCS, M8 - 1.25 x 20		Purchase Locally	
11	99383GS	HHCS, 5/16-24 x 7-3/8			
12		WASHER, Lock, M8 5/16		Purchase Locally	
13	66476GS	HHCS, M6 - 1.0 x 12 w/ LW			
14	191785GS	BRACKET, Muffler			
15	697815	GASKET, Exhaust			
16		HHCS, M8 - 1.25 x 30		Purchase Locally	
17	88301GS	MUFFLER			
18		SHCS, M6 - 1.0 x 20		Purchase Locally	
19	3083GS	SCREEN, Spark Arrest			
20	B4986GS	DECAL, Ground			
21	194153GS	KIT, Vibration Mount			
22	86494GS	SCREW, Wing M6 1.0 x 16			
23	86292GS	SCREW, 10-16 x 3/4, Self Drill			
24	197601GS	SHIELD, Heat			
25	191190GS	CAP			
26	74908GS	TAPTITE, M5-0.8 x 10			
27	87841GS	MOUNT, Vibration			
28	B1797GS	CLIP, Tree			
29		WASHER, Shakeproof Ext. #10		Purchase Locally	
30		WASHER, Shakeproof Ext. M6 - 1/4		Purchase Locally	
34	195422GS	COVER, Bearing Carrier			
35	197619GS	KIT, Fuel Hose w/ Clamps			
38	56893GS	CRIMPTITE, 10-24 x 1/2			
40	197618GS	KIT, Fuel Tank Hardware			
41	195590GS	FITTING, Elbow Tank			
44	197620GS	ASSY, Tank, Fuel		(Includes Items 41, 45, 46, 51 & 53)	
45	189135GS	CAP, Fuel, Vented			

<b>Ref #</b>	<b>Part #</b>	<b>Description</b>	<b>Qty</b>	<b>Context Note</b>	<b>Foot Note</b>
46	197499GS	STRAINER,Tank Fuel			
48	14353621GS	WIRE, Ground			
51	197157GS	DECAL,Warning			
53	189136GS	GAUGE, Fuel			
58	195782GS	ASSY, Control Panel		See "Control Panel"	
59	189164GS	PALNUT, 3/16			
900		ENGINE		Contact Engine Manufacturer	
	MS6737	MANUAL, Engine		Not Illustrated	
	196761GS	MANUAL, Owners, CHN		Not Illustrated	
	196978GS	MANUAL, Owners, English		Not Illustrated	
	197621GS	KIT, Decals Service		Not Illustrated	
	190356GS	HARNESS,Wire, Power Gen		Not Illustrated	