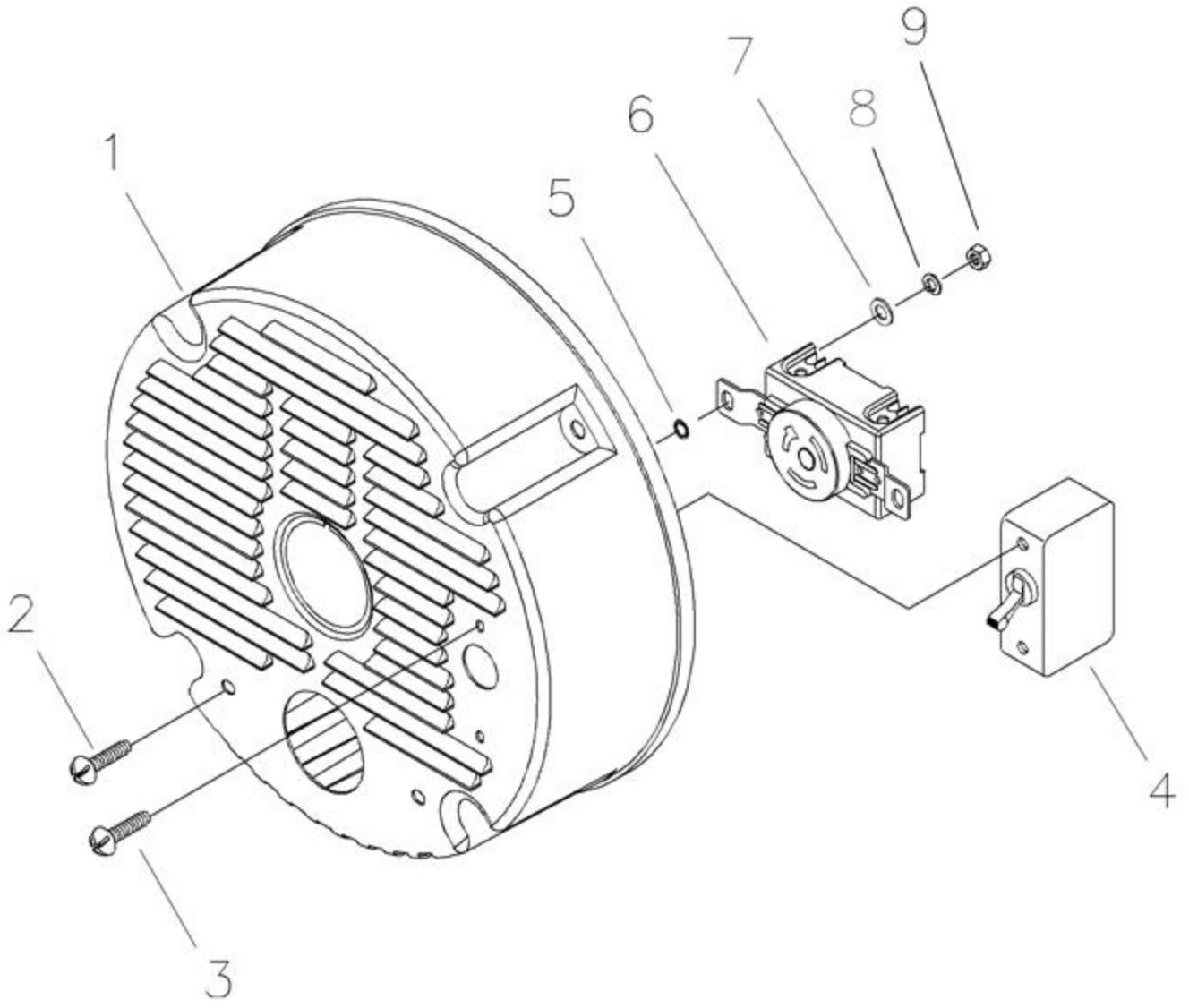
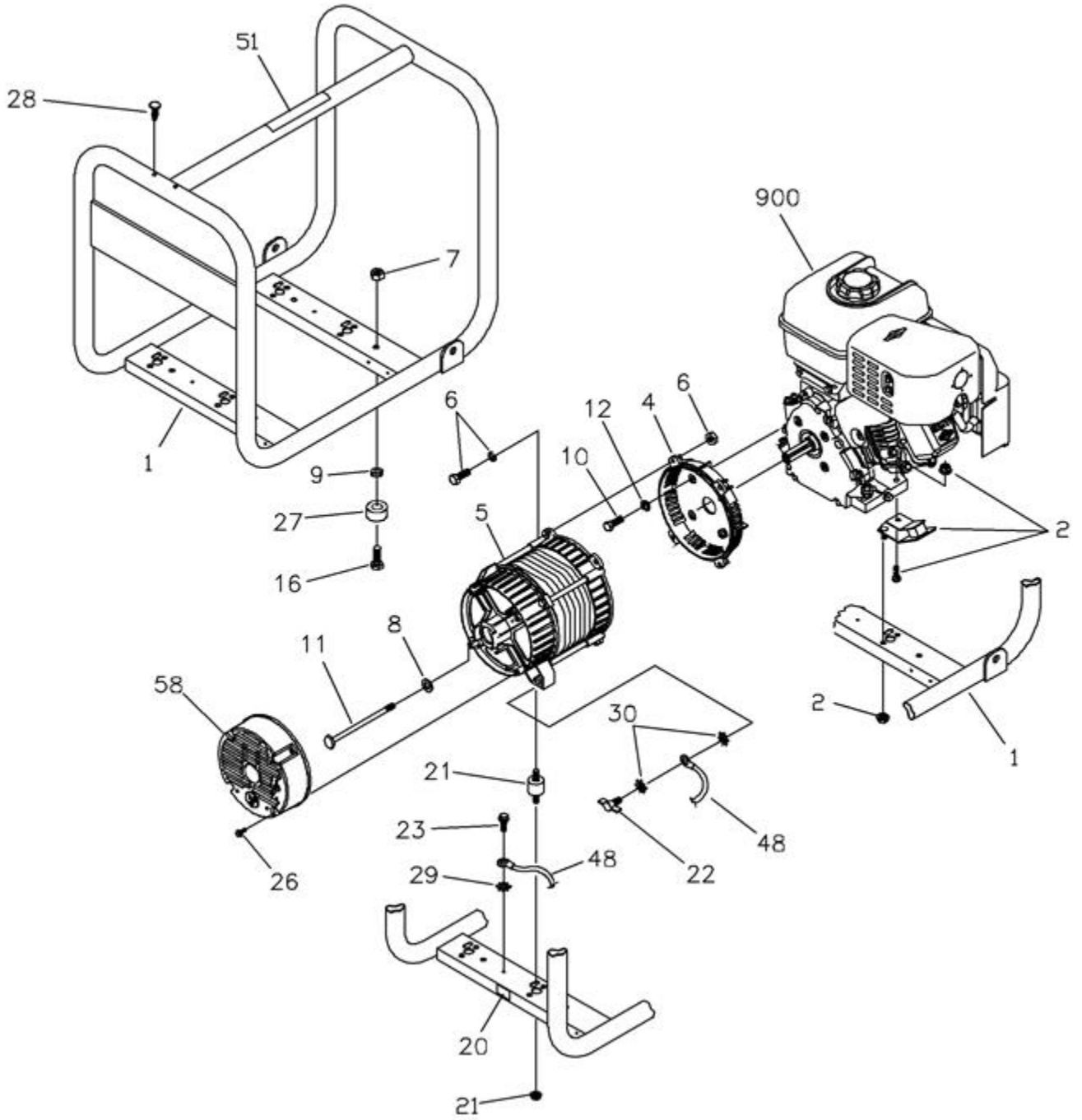


Ref #	Part #	Description	Qty	Context	Note	Foot	Note
1	186059GS	ADAPTER, Mounting, Alternator					
2	195910GS	ROTOR					
3	195909AGS	STATOR					
4	186060GS	RBC with O-Ring (p/n 189197GS)					
5	86308DGS	HHCS, M6 - 1.0 x 85 SEMS					
6	91825GS	ASSY, Holder, Rectifier/Brush					
7	66849GS	TAPTITE, M5 - 0.8 x 16					
8	81917GS	PIN, Roll, 4mm x 10					
	189197GS	O-Ring					



Ref #	Part #	Description	Qty	Context Note	Foot Note
1	B195781GS	PANEL, Control			
2		PPHMS, M4 - 0.7 x 10		Purchase Locally	
3	25105GS	PRHMS, 6-32 x 1/4 SEMS			
4	195968AGS	BREAKER, Circuit, Magnetic, 10A			
5		WASHER, Shakeproof, Int. #8		Purchase Locally	
6	195969GS	OUTLET, 230V, 20A Locking			
7		WASHER, M4		Purchase Locally	
8		WASHER, #8 Lock		Purchase Locally	
9		NUT, M4 - 0.7		Purchase Locally	



Ref #	Part #	Description	Qty	Context Note	Foot Note
1	B196757GS	ASSY, Cradle			
2	197567GS	KIT,Vibration Mount			
4	186058AGS	HOUSING, Engine Adaptor			
5	NSP	ASSY,Alternator		See Alternator	
6	194151GS	KIT, Hardware Mounting Adapter			
7	67989GS	NUT, M8 Flange Serrated			
8	96796GS	WASHER, 8.4 x 22.2 x 3			
9	193588GS	SPACER			
10		HHCS, M8 - 1.25 x 20		Purchase Locally	
11	187365GGS	HHCS, 5/16" - 24 x 6.85			
12		WASHER, Lock, 5/16 - M8		Purchase Locally	
16		HHCS, M8 - 1.25 x 30		Purchase Locally	
20	B4986GS	DECAL, Ground			
21	194153GS	KIT,Vibration Mount			
22	86494GS	SCREW,Wing M6 - 1 x 16			
23	86292GS	SCREW, 10-16 x 3/4, Self Drill			
26	66849AGS	TAPTITE, M5 .8 x 20mm			
27	87841GS	MOUNT,Vibration			
28	B1797GS	CLIP,Tree			
29		WASHER, Shakeproof, Ext. #10		Purchase Locally	
30		WASHER, Shakeproof Ext. M6 - 1/4		Purchase Locally	
48	14353621GS	WIRE, Ground			
51	197157GS	DECAL,Warning			
58	195780GS	ASSY, Control Panel		See "Control Panel"	
900		ENGINE Contact Engine Manufacturer			
	196761GS	MANUAL, Owners, CHN		Not Illustrated	
	196978GS	MANUAL, Owners, English		Not Illustrated	
	MS6737	MANUAL, Engine, B&S		Not Illustrated	
	197604GS	KIT, Decal Srv		Not Illustrated	