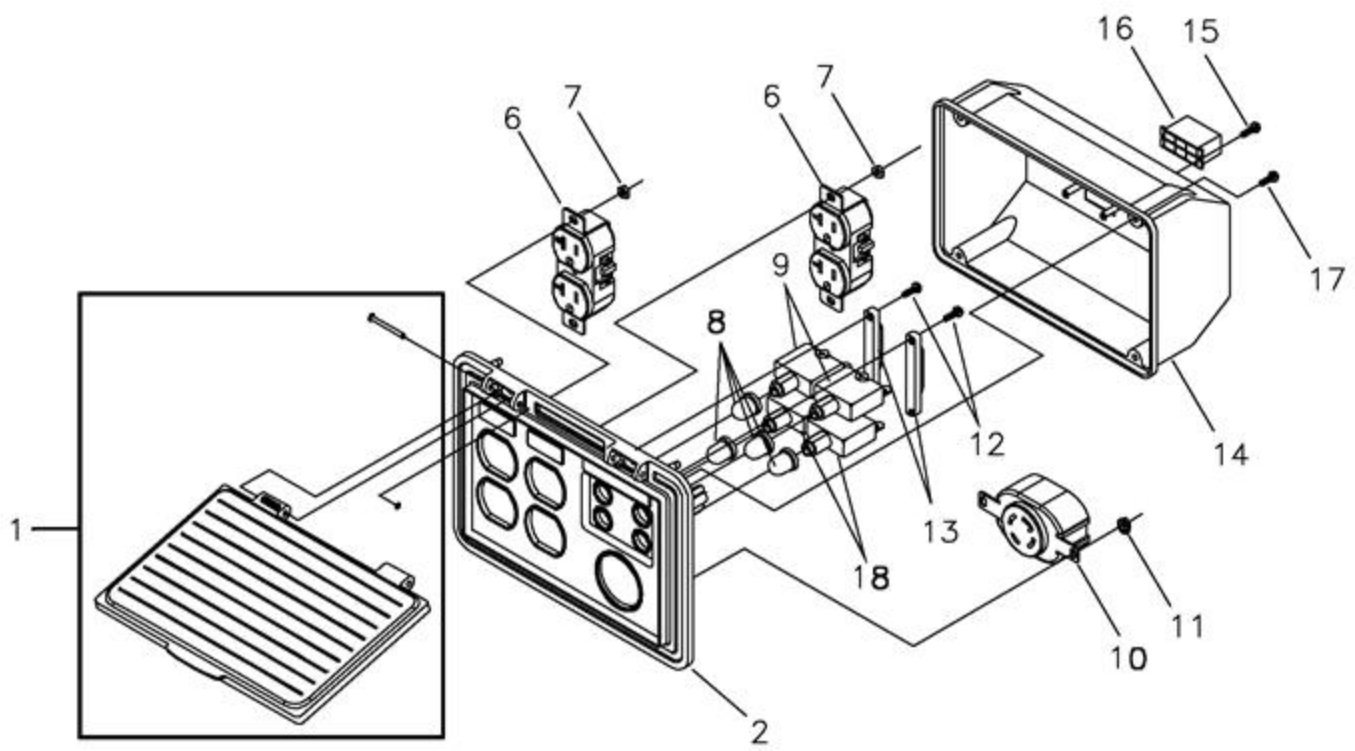
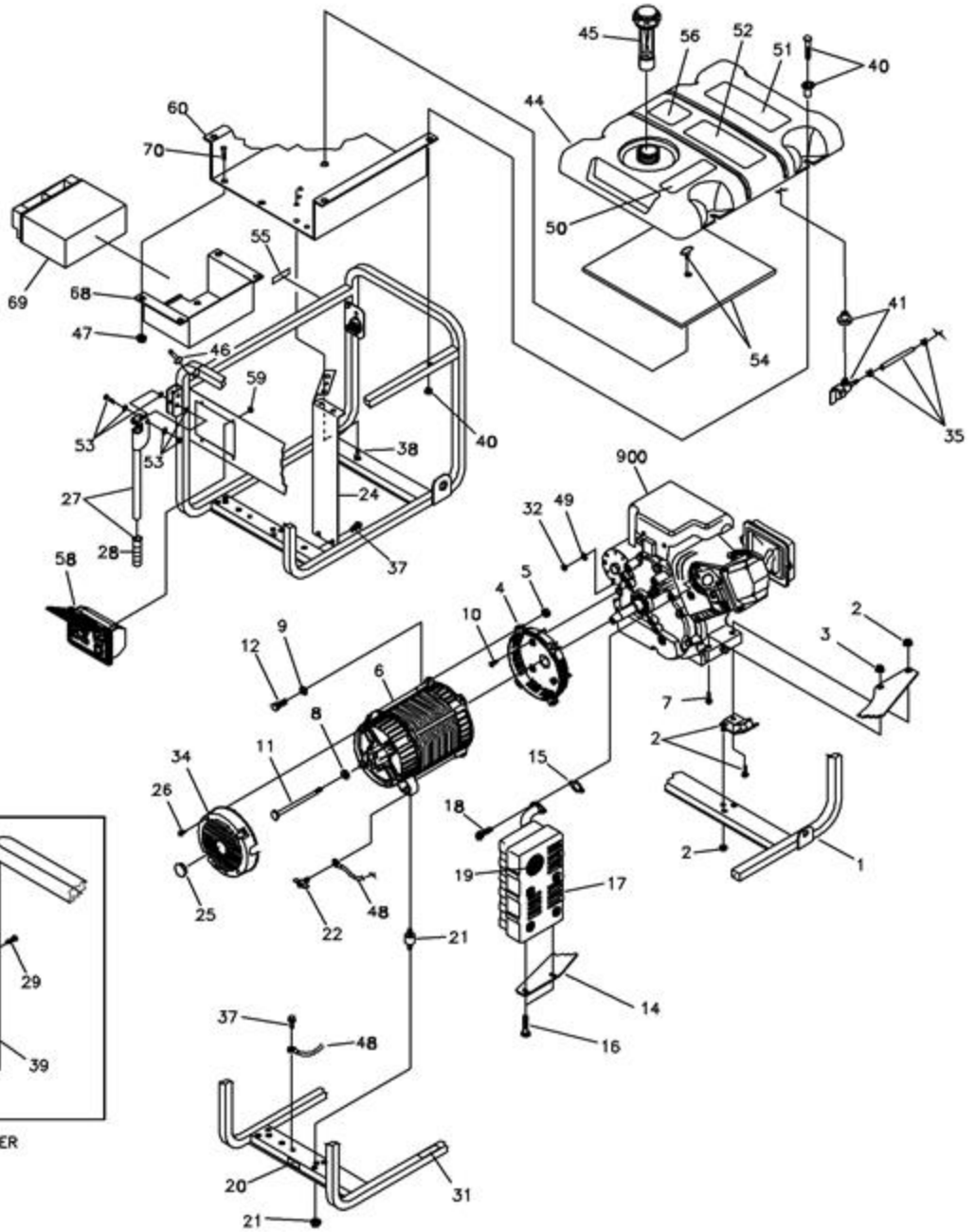
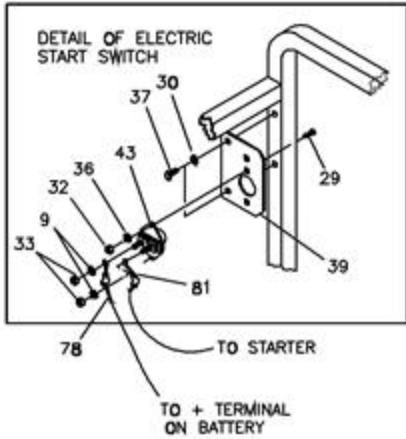
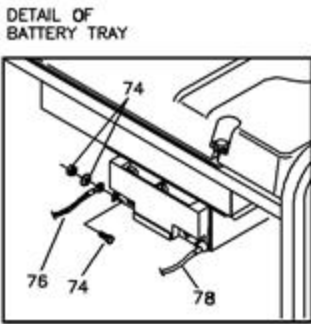
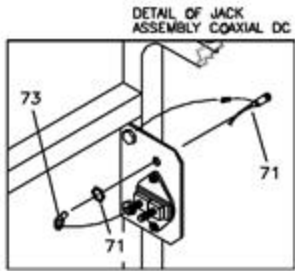


Ref #	Part #	Description	Qty	Context	Note	Foot	Note
1	186059GS	ADAPTER, Mounting, Alternator					
2	191876GS	ROTOR (Includes Item 13)					
3	194006AGS	STATOR					
4	186060GS	RBC, (with O-Ring, p/n 189197GS)					
5	86308HGS	HHCJ., M6 - 1.0 x 140 HEMS					
6	66386GS	ASSY, Holder, Brush					
7	66849GS	TAPTITE, M5 - 0.8 x 16					
8	22694GS	RECEPTACLE, 6 pin					
9	81917GS	PIN, Roll, 4mm x 10					
10	193428AGS	ASSY, Wire, Ground					
11	189769GS	REGULATOR, Voltage, AVR					
12	194274GS	HARNESS, Wire, Power					
13	65791GS	BEARING					

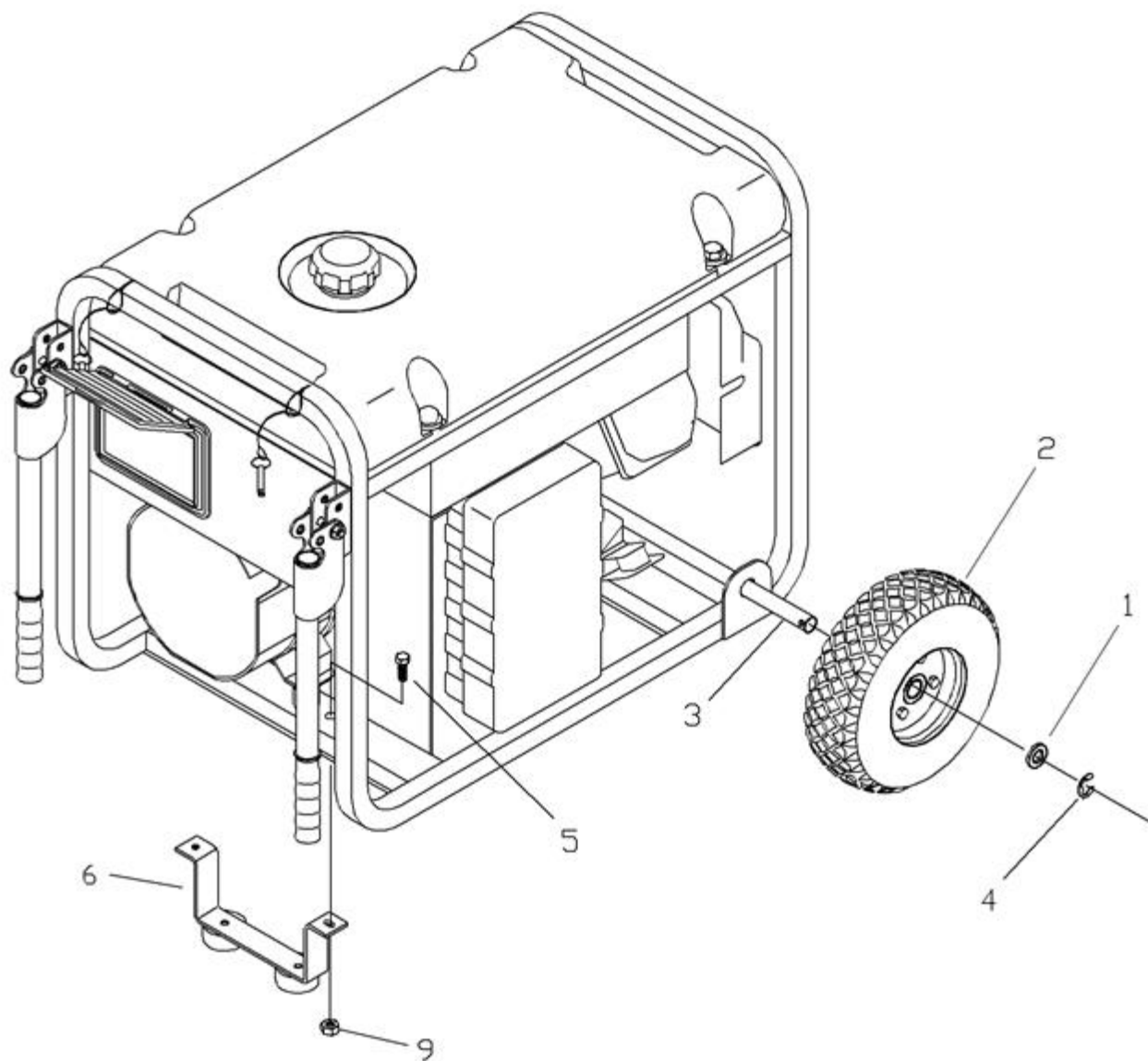


Ref #	Part #	Description	Qty	Context Note	Foot Note
1	195112GS	KIT, Control Panel Lid			
2	191450GS	CONTROL PANEL, Compact			
6	68759GS	OUTLET, 120V, 20A, Duplex			
7	-----	NUT, Palnut, 5/32		(Purchase Locally)	
8	84198GS	CAP, Breaker, Circuit			
9	75207AGS	BREAKER, Circuit			
10	43437GS	OUTLET, 120/240V Locking, 30A			
11	-----	NUT, Palnut, 3/16		(Purchase Locally)	
12	-----	PPPHS, M3- 0.5 x 18		(Purchase Locally)	
13	93857GS	BAR, Retaining			
14	188890GS	COVER, Back, Control Panel			
15	82308GS	SCREW, Tapping, STC 3 x 18			
16	22694GS	HOUSING, Receptacle			
17	192241GS	SCREW, Tapping, 3.5 x 14			
18	75207PGS	BREAKER, Circuit			



Ref #	Part #	Description	Qty	Context Note	Foot Note
1	M197464GS	CRADLE (Includes Items 20, 31 & 55)			
2	194150GS	KIT, Vibration Mount			
3	-----	NUT, M8 Flange Serrated		Purchase locally	
4	190220GS	HOUSING, Engine Adapter			
5	-----	NUT, Hex, M8-1.25		Purchase locally	
6	NSP	ASSY, Alternator (see page 4)			
7	-----	TPHMS, M8 - 1.25 x 35		Purchase locally	
8	96796GS	WASHER, 8.4 x 22.2 x 3			
9	-----	WASHER, Lock M8		Purchase locally	
10	190274DGS	SBHCS, 3/8-16 x 7/8			
11	187365FGS	HHCS, 5/16-24 x 7.44			
12	-----	HHCS, M8 1.25 x 25		Purchase locally	
14	189009GS	BRACKET, Muffler			
15	695398	GASKET, Exhaust			
16	-----	HHCS, M6-1.0 x 12		Purchase locally	
17	189008GS	MUFFLER			
18	-----	SHCS, 5/16 - 18 x 7/8"		Purchase locally	
19	83083GS	SCREEN, Spark Arrest			
20	B4986GS	DECAL, Ground			
21	194153GS	KIT, Vibration, Mount			
22	86494GS	SCREW, Wing M6 - 1.0 x 16			
24	194390GS	SHIELD, Heat			
25	191190GS	CAP			
26	74908GS	TAPTITE, M5-0.8 x 10			
27	B193200GS	ASSY, Handle/Grip			
28	198669GS	GRIP			
29	-----	HHCS, 1/4-20 x 3/4		Purchase locally	
30	-----	WASHER, Shakeproof, Ext #10		Purchase locally	
31	196830GS	DECAL, Hot Muffler			
32	-----	NUT, 1/4 - 20		Purchase locally	
33	-----	NUT, 5/16-24		Purchase locally	
34	195422GS	COVER, RBC w/Cap			
35	791745	KIT, Fuel Hose (cut to fit)			
36	-----	WASHER, Lock, 1/4		Purchase locally	
37	B2153GS	SCREW, 12-14 x 7/8 Self Drilling			
38	56893GS	SCREW, 10-24 x 1/2 Crimptite			
39	188987GS	PLATE, Mounting Switch			

Ref #	Part #	Description	Qty	Context Note	Foot Note
40	195477GS	KIT, Hardware Tank Fuel (Includes Qty 4)			
41	192980GS	KIT, Valve, Tank			
43	77282GS	SWITCH, Starter			
44	194217GS	ASSY., Tank, Fuel (Includes Items 41, 50, 51, 52 & 56)			
45	B4363GS	CAP, Fuel Gauge			
46	B4135GS	PIN			
47	77395GS	NUT, M6 Flange Lock			
48	195373GS	WIRE, Ground			
49	-----	WASHER, M6 Shakeproof		Purchase locally	
50	188333GS	DECAL, Instruction, Fuel Level			
51	194799GS	DECAL, Danger			
52	189235GS	DECAL, Start Instructions			
53	194034GS	KIT, Handle Fold-down Hardware			
54	194448GS	KIT, Insulation with Clip			
55	197798GS	DECAL, Fuel Shut-off			
56	202997GS	DECAL, CO Warning			
58	191757GS	ASSY, Control Panel			
59	-----	NUT, Palnut, 3/16"		Purchase locally	
60	194389GS	SHIELD, Heat			
68	195680GS	TRAY, Battery			
69	193043GS	BATTERY			
70	-----	HHCS, M6 - 1.0 x 12		Purchase locally	
71	192531GS	ASM, Jack, DC			
73	58359GS	LUG, 5/16 #22/18 I-S			
74	193347GS	KIT, Battery Hardware			
76	185939KGS	WIRE ASM, #55			
78	189302CGS	WIRE ASM, #13			
81	189302GGS	WIRE ASM, #16			
900	-----	ENGINE		Contact Engine Manufacturer	
	MS3430	MANUAL, Engine, B&S		Parts Not Illustrated	
	195529GS	MANUAL, Operator's		Parts Not Illustrated	
	BB3061GS	BOTTLE, Oil		Parts Not Illustrated	
	B4177GS	CHARGER, Battery		Parts Not Illustrated	
	202180GS	DECAL, Family, CA EVP		Parts Not Illustrated	
	195578GS	KIT, Decals Service		Parts Not Illustrated	



Ref #	Part #	Description	Qty	Context Note	Foot Note
1	----	WASHER, 5/8		Purchase locally	
2	B4966GS	WHEEL			
3	191267GGS	AXLE			
4	191265GS	E-RING			
5	----	HHCS, M8 - 1.25 x 20		Purchase locally	
6	204536GS	ASSY, Support w/Mounts			
9	67989GS	NUT, M8 - Flange Serrated			
--	187046GS	SUBKIT, Hardware		Parts Not Illustrated	