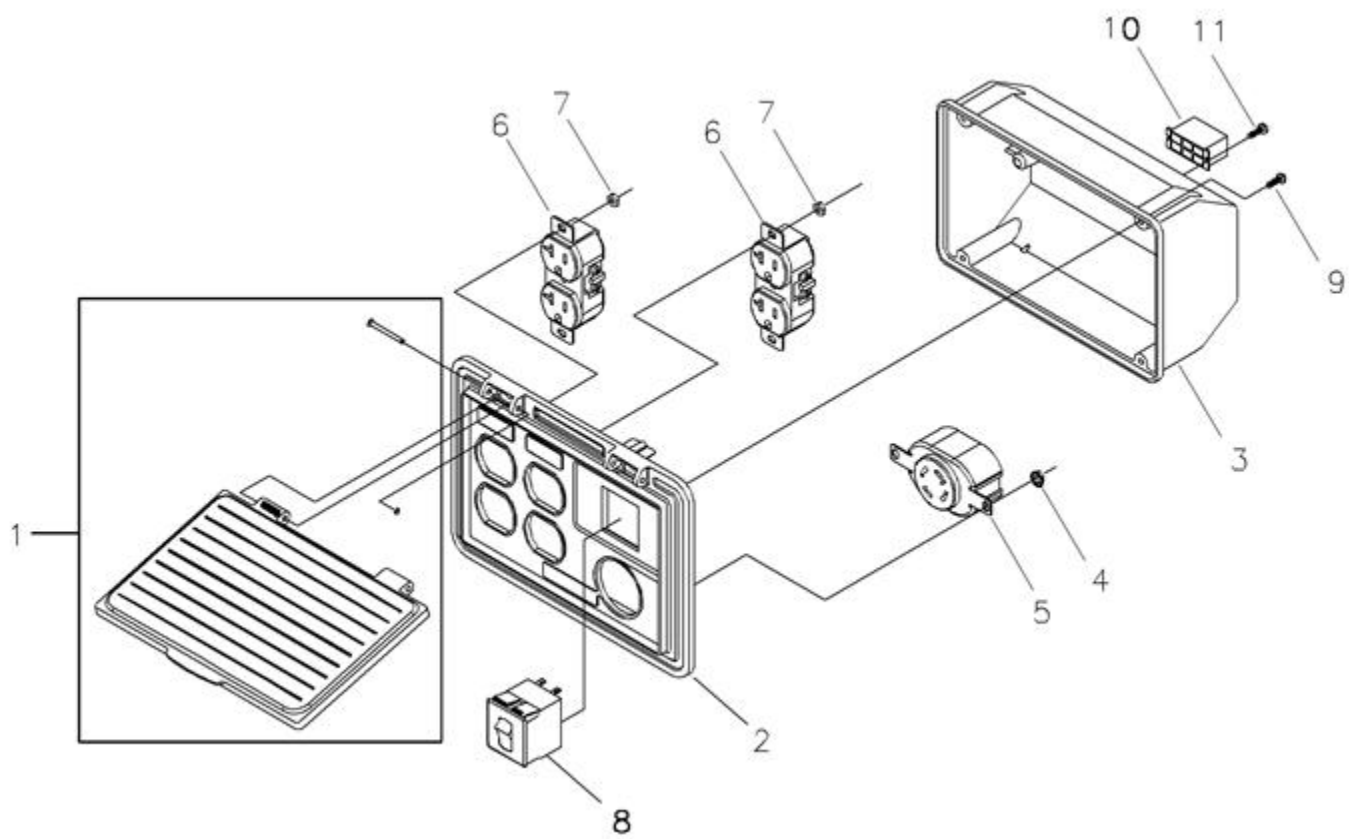
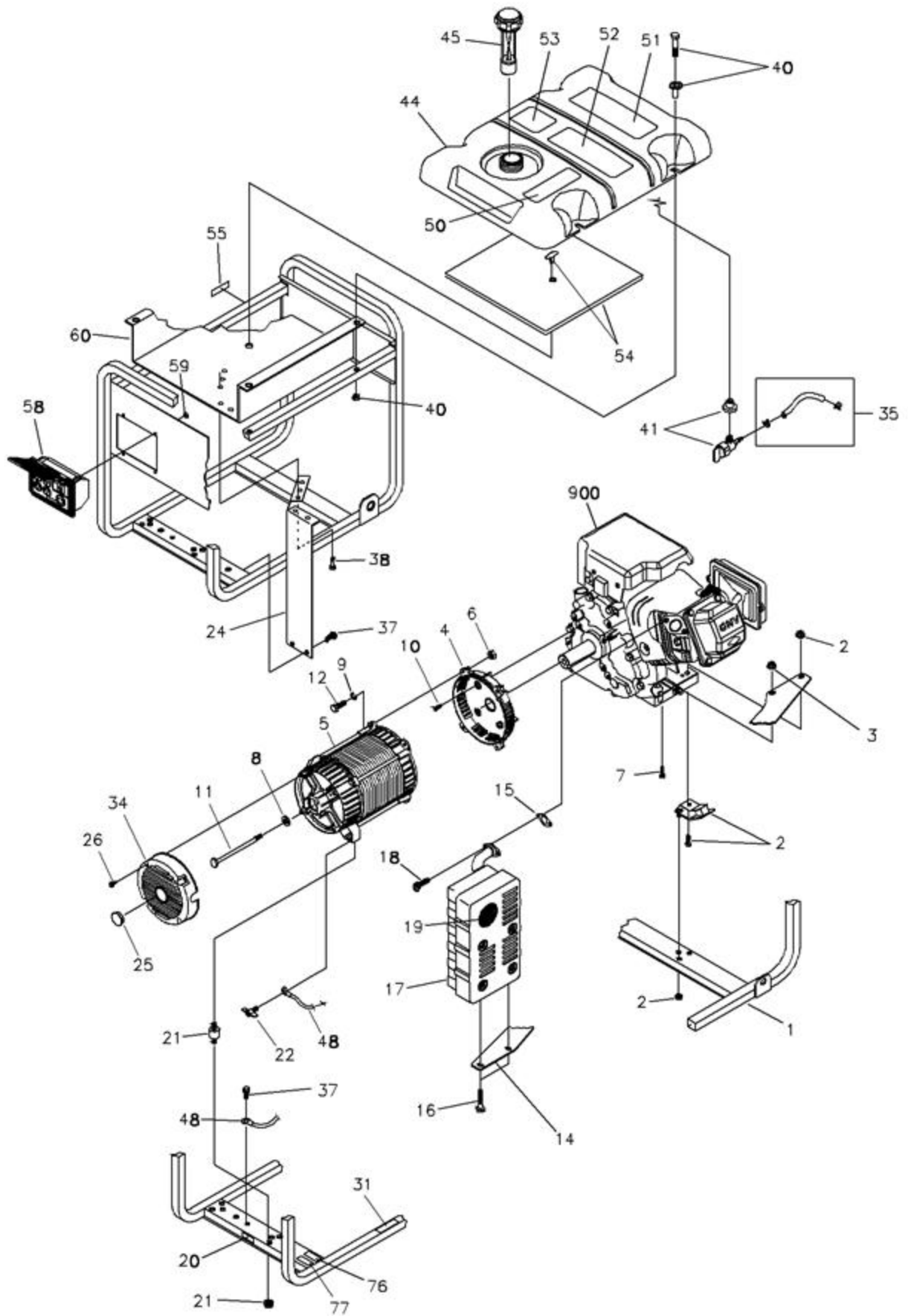


Ref #	Part #	Description	Qty	Context	Note	Foot	Note
1	186059GS	ADAPTER, Mounting, Alternator					
2	190032GS	ROTOR					
3	190079AGS	STATOR					
4	186060GS	RBC, with O-Ring (p/n 189197GS)					
5	86308HGS	HHCJ., M6 - 1.0 x 140 HEMS					
6	91825GS	ASSEMBLY, Holder, Rectifier/Brush					
7	66849GS	TAPTITE, M5 - 0.8 x 16					
8	22694GS	RECEPTACLE, 6 pin					
9	81917GS	PIN, Roll, 4mm x 10					
10	193428AGS	WIRE-A, Ground					
13	194274GS	HARNESS, Wire, Power					
14	65791GS	BEARING					

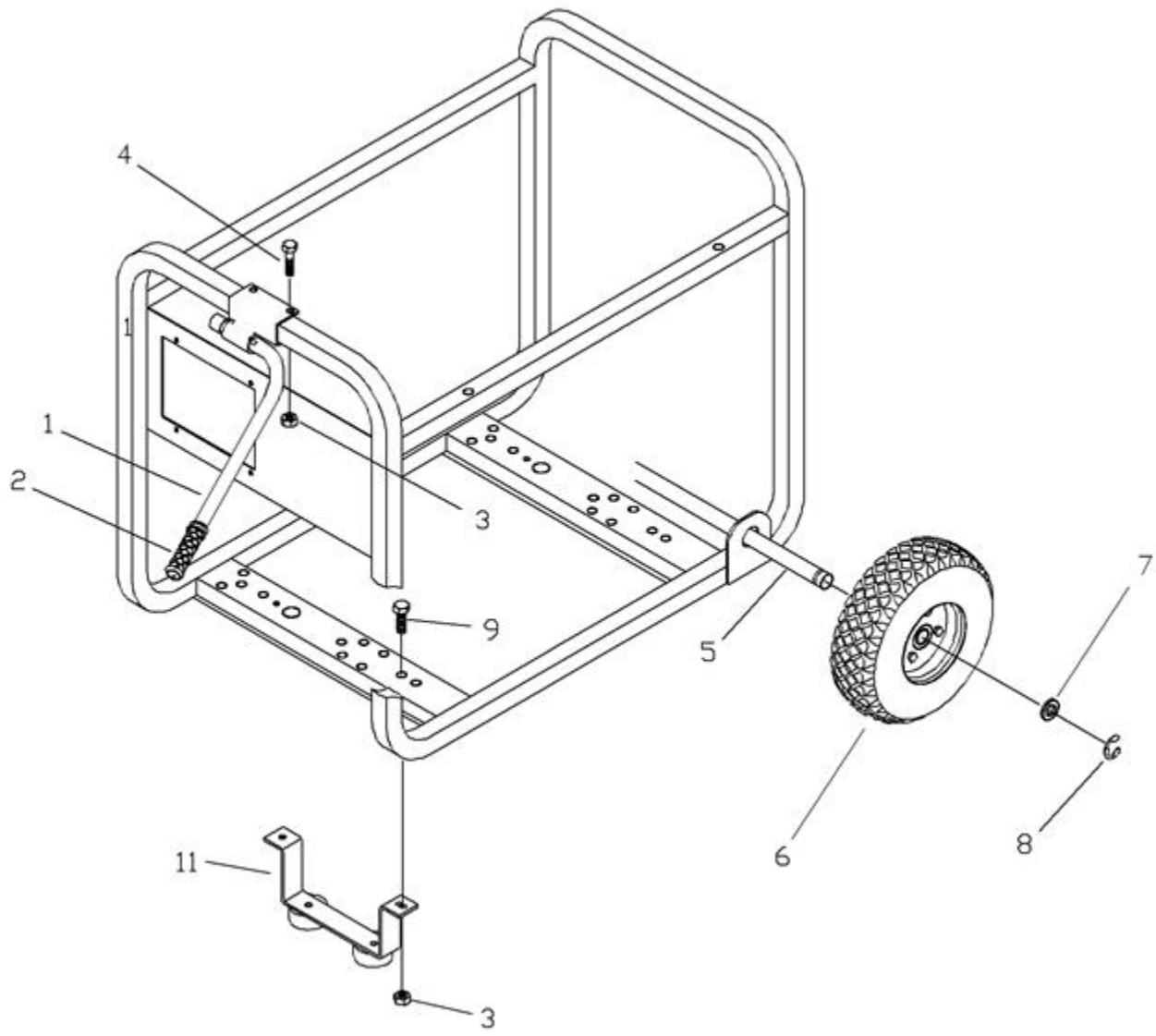


Ref #	Part #	Description	Qty	Context Note	Foot Note
1	195112GS	ASSY, Control Lid Panel			
2	196506AGS	CONTROL PANEL, Compact			
3	188890GS	BOX, Rear Cover			
4	-----	NUT, Palnut, Pushnut, 3/16		Purchase locally	
5	43437GS	OUTLET, 120/240 Locking, 30A			
6	68759GS	OUTLET, 120V, 20Amp, Duplex			
7	-----	NUT, Palnut, Pushnut, 5/32		Purchase locally	
8	202029GS	BREAKER, 20, 2P			
9	192241GS	SCREW, Tapping, 3.5 x 14			
10	22694GS	HOUSING, Receptacle			
11	82308GS	SCREW, Tapping, STC 3 x 18			



Ref #	Part #	Description	Qty	Context Note	Foot Note
1	M196923GS	CRADLE (Includes #'s 20, 31, 55, 76 and 77)			
2	194150GS	KIT, Vibration Mount 45°			
3	67989GS	NUT, M8 Flange Serrated			
4	190220GS	HOUSING, Engine Adapter			
5	NSP	ASSY, Alternator (see page 5)			
6	-----	NUT, Hex M8 - 1.25		Purchase locally	
7	-----	TPHMS, M8 - 1.25 x 35		Purchase locally	
8	96796GS	WASHER, 8.4 x 22.2 x 3			
9	-----	WASHER, 5/16 - M8 Lock		Purchase locally	
10	190274BGS	SBHCS, 3/8-16 x 1.0 Lg			
11	187365FGS	HHCS, 5/16-24 x 7-7/16			
12	-----	HHCS, M8 - 1.25 x 25		Purchase locally	
14	189009GS	BRACKET, Muffler			
15	695398	GASKET, Exhaust			
16	-----	HHCS, M6 - 1.0 x 12 w/W		Purchase locally	
17	189008GS	MUFFLER			
18	201522GS	SHCS, 5/16 - 18 x 7/8"			
19	83083GS	SCREEN, Spark Arrest			
20	B4986GS	DECAL, Ground, Green			
21	194153GS	KIT, Vibration Mount			
22	86494GS	SCREW, Wing M6 - 1.0 x 16			
24	194390GS	SHIELD, Heat			
25	191190GS	CAP			
26	74908GS	SCREW, M5-0.8 x 10, Taptite			
31	200310GS	DECAL, Warning, Exhaust			
34	195422GS	COVER, RBC, Plastic w/cap			
35	791745	KIT, Fuel Line (cut to fit)			
37	B2153GS	SCREW, 12-14 x 7/8 Self Drilling			
38	56893GS	SCREW, 10-24 x 1/2 Crimptite			
40	195477GS	KIT, Fuel Tank Hardware (Includes Qty of 4)			
41	192980GS	KIT, Valve, Tank			
44	197303GS	ASSY., Tank, Fuel 7-Gallon (Includes #'s 41, 50, 51, 52 & 53)			
45	B4363GS	CAP, Fuel Gauge			
48	195373GS	WIRE, Ground			
50	188333GS	DECAL, Gas Fill			
51	194984GS	DECAL, Warning			

Ref #	Part #	Description	Qty	Context Note	Foot Note
52	94480GS	DECAL, Start Instructions			
53	202997GS	DECAL, Warning CO			
54	194448GS	KIT, Insulation w/Clip			
55	197798GS	DECAL, Fuel Shut-off			
58	202530GS	ASSY, Control Panel			
59	189164GS	NUT, Palnut, 3/16"			
60	194389GS	SHIELD, Heat			
76	195940GS	DECAL, Neutral Ground, French			
77	195459GS	DECAL, Ground Neutral			
900	-----	ENGINE		Contact Engine Manufacturer	
	BB3061GS	BOTTLE, Oil		Parts Not Illustrated	
	196849GS	MANUAL, Operator's		Parts Not Illustrated	
	MS3790	MANUAL, Engine		Parts Not Illustrated	
	202180GS	DECAL, Family, CA, EVP		Parts Not Illustrated	
	197301GS	KIT, Decals, Service		Parts Not Illustrated	



Ref #	Part #	Description	Qty	Context Note	Foot Note
1	189715GS	ASSY, Handle w/Grip			
2	189718GS	GRIP, Handle			
3	67989GS	NUT, M8 Flange Serrated			
4	-----	HHCS, M8 - 1.25 x 45		Purchase locally	
5	191267GGS	AXLE			
6	B4966GS	WHEEL			
7	-----	WASHER, Flat, 5/8"		Purchase locally	
8	191265GS	E-RING			
9	-----	HHCS, M8 - 1.25 x 20		Purchase locally	
11	204536GS	ASSY, Support, w/Mounts			
--	189738GS	SUBKIT, Hardware		Part Not Illustrated	