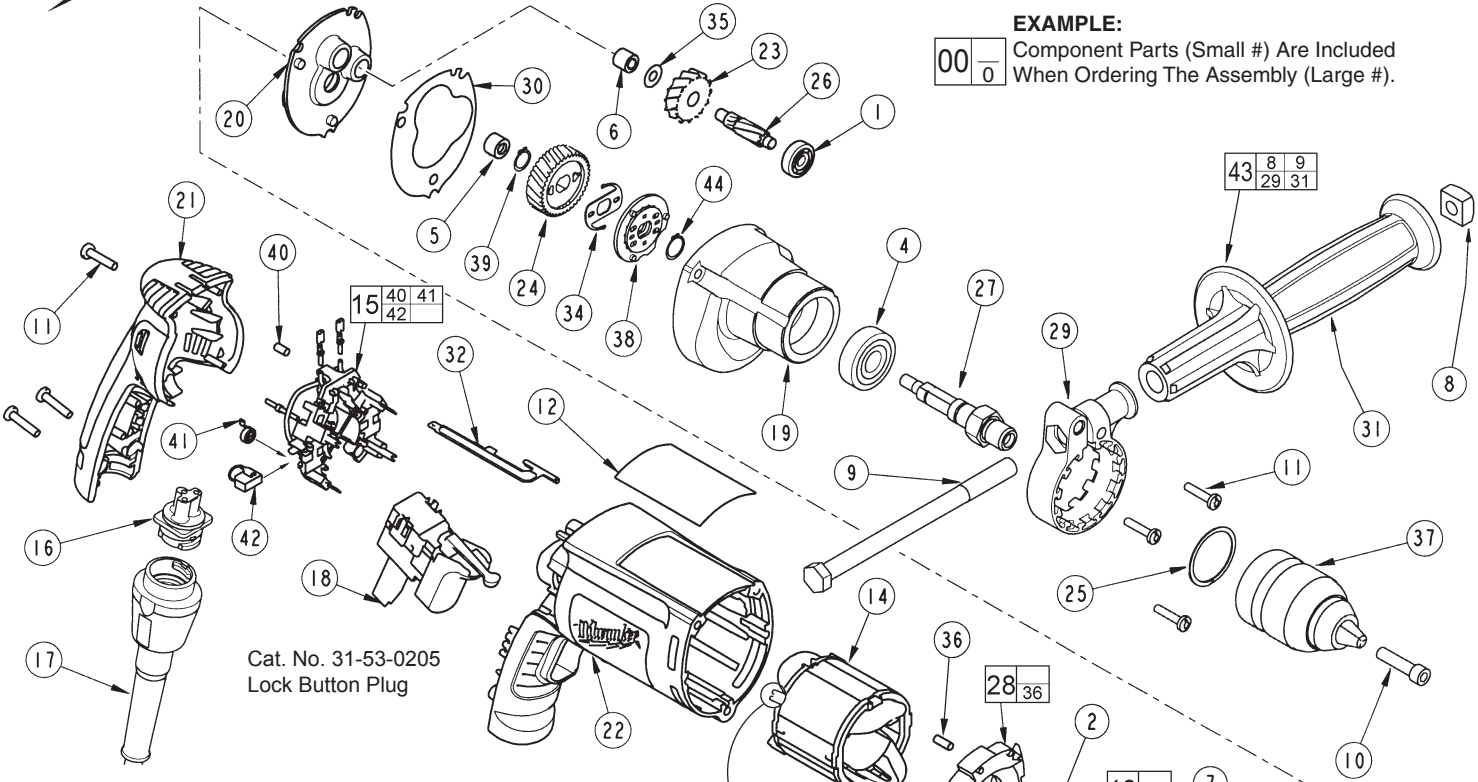




SERVICE PARTS LIST

BULLETIN NO.
54-06-2975

SPECIFY CATALOG NO. AND SERIAL NO. WHEN ORDERING PARTS		REVISED BULLETIN	DATE
1/2 INCH DRILL with SPINDLE LOCK			Jan. 2006
CATALOG NO.	0302-20	STARTING SERIAL NO.	084A
		WIRING INSTRUCTION 58-01-1805	

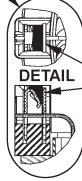


EXAMPLE:

00	0
----	---

 Component Parts (Small #) Are Included When Ordering The Assembly (Large #).

Cat. No. 31-53-0205
Lock Button Plug



FIELD TERMINAL POCKETS
Fill cavities with Type "X" contact grease No. 49-08-5000, 4 places. Do not over fill and allow grease to extend past edges.

FIG.	PART NO.	DESCRIPTION OF PART	NO. REQ.
1	02-04-0640	Ball Bearing	(1)
2	02-04-0645	Ball Bearing	(1)
3	02-04-0852	Ball Bearing	(1)
4	02-04-1229	Ball Bearing	(1)
5	02-50-1611	Needle Bearing	(1)
6	02-50-2400	Needle Bearing	(1)
7	22-84-0845	Fan	(1)
8	06-54-0325	3/8-16 Square Nut	(1)
9	06-75-2850	3/8-16 x 5-1/2 Hex Cap Screw	(1)
10	06-81-2925	1/4-20 x 1-1/8 L.H. Flat Hd. Screw	(1)
11	06-82-7275	7-18 x 3/4 Slotted Plastite T-20	(6)
12	12-99-2565	Service Nameplate	(1)
13	16-10-2210	Armature	(1)
14	18-07-2206	Field	(1)
15	22-18-1210	Brush Card Assembly	(1)
16	22-56-1010	Pin Housing Assembly	(1)
17	48-76-4008	Quik-Lok Cord Set	(1)
18	23-66-2585	Switch	(1)
19	28-14-2390	Gearcase	(1)
20	28-28-2320	Diaphragm	(1)
21	31-15-2030	Handle Halve	(1)
22	31-50-2040	Motor Housing	(1)
23	32-40-0100	Intermediate Gear	(1)
24	32-75-0101	Spindle Gear Assembly	(1)
25	34-80-2300	Retaining Ring	(1)
26	36-66-0100	Intermediate Shaft	(1)
27	38-50-5752	Spindle	(1)
28	42-14-0450	Baffle Assembly	(1)
29	42-68-0800	Side Handle Clamp	(1)
30	43-44-0985	Gasket	(1)
31	43-62-0845	Side Handle	(1)
32	44-60-1700	Ground Pin	(1)
34	40-50-8525	Click Spring	(1)
35	45-88-7990	Thrust Washer	(1)
36	45-30-0030	Slug	(2)
37	48-66-1575	1/2" Keyless Chuck	(1)
38	14-29-0040	Spindle Lock Assembly	(1)
39	34-60-0810	External Retaining Ring	(1)

FIG.	PART NO.	DESCRIPTION OF PART	NO. REQ.
40	45-30-0035	Slug	(1)
41	23-52-1610	Brush Spring	(2)
42	22-18-1310	Brush Assembly	(2)
43	49-15-0265	Side Handle Assembly	(1)
44	34-60-0900	External Retaining Ring	(1)

LUBRICATION (Type "Y" Grease, No. 49-08-5270)

- Place 5 gm. (.02 oz.) of grease on top of the inserted intermediate ball bearing (1).
- After inserting the pinion subassembly, place 13 gm. (.46 oz.) of grease at the armature pinion location in the gearcase (19) and fill to slightly above the intermediate gear (23).

Before assembly, lightly coat all press fit areas with lightweight spindle oil.

FIG. NOTES:

- 4,24 Support the output ball bearing inside the gearcase before pressing off the spindle gear.
- 5,6 Needle bearings to be pressed flush to .010 under flush from the end which has the vendors identification.