



# SERVICE PARTS LIST

**BULLETIN NO.**  
**55-06-0698**

SPECIFY CATALOG NO. AND SERIAL NO. WHEN ORDERING PARTS		REVISED BULLETIN	DATE
<b>1/2" T.S.C. REV. HOLE-SHOOTER</b>		55-06-0697	Jan. 2000
<b>CATALOG NO. 0238-50</b>	<b>STARTING SERIAL NO. 723E</b>	WIRING INSTRUCTION <b>58-03-0028</b>	

**EXAMPLE:**  
Component Parts (Small #)  
Are Included When Ordering  
The Assembly (Large #).

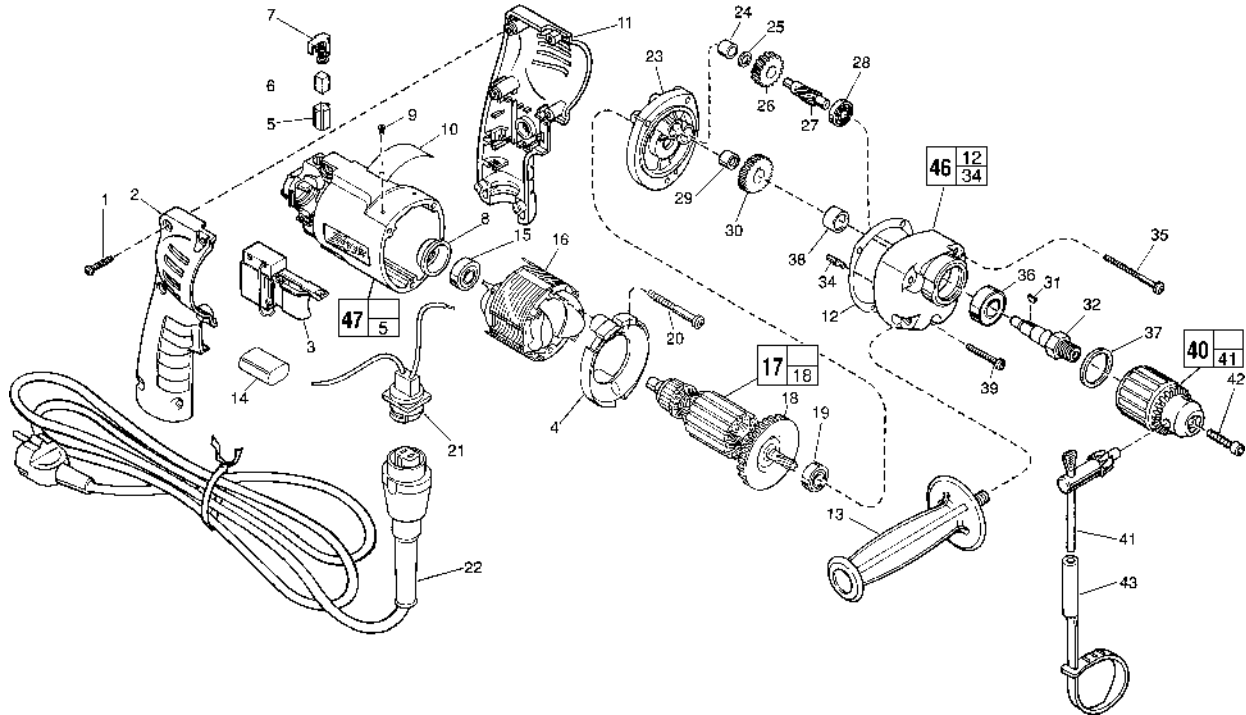


FIG.	PART NO.	DESCRIPTION OF PART	NO. REQ.
	1	06-82-7284 8-16 x 3/4" Pan Hd. Slit. Plast. T-20	(6)
★	2	31-44-1845 Right Handle Half	(1)
	3	23-66-2075 TSC Switch	(1)
★	3	4931 3648 01 Atlas Copco TSC Switch (Australia)	(1)
	4	42-14-0380 Baffle	(1)
	5	22-20-0830 Brush Tube	(2)
	6	22-16-0375 Carbon Brush	(2)
	7	23-52-1570 Brush Spring Assembly	(2)
	8	22-72-0100 Bearing Cup	(1)
	9	06-72-1720 Nameplate Rivet	(2)
	10	12-99-0570 Service Nameplate	(1)
★	11	31-44-1840 Left Handle Half	(1)
	12	43-44-0925 Gasket	(1)
	13	43-62-0875 Side Handle	(1)
	14	14-20-0530 Capacitor Assembly	(1)
	15	02-04-0645 Ball Bearing	(1)
	16	18-12-0150 Field	(1)
	17	16-14-0680 Armature	(1)
	18	22-84-0880 Fan Assembly	(1)
★	19	02-04-0851 Ball Bearing	(1)
	20	06-82-7203 7-18 x 2-1/8" Pan Hd. Slit. Plast. T-20	(2)
★	21	22-56-0696 Blade Housing Assembly	(1)
★	22	48-76-5012 Quik-Lok Cord Set	(1)
★	22	22-64-0684 Quik-Lok Cord Set (Australia)	(1)
	23	14-13-0520 Diaphragm Assembly	(1)
	24	02-50-1210 Needle Bearing	(1)
	25	45-88-7301 Heat Treated Washer	(1)
	26	32-40-2010 Intermediate Gear	(1)
	27	36-66-4500 Intermediate Pinion Shaft	(1)
	28	02-04-0640 Ball Bearing	(1)
	29	02-50-1611 Needle Bearing	(1)
	30	32-75-3320 Spindle Gear	(1)

FIG.	PART NO.	DESCRIPTION OF PART	NO. REQ.
	31	06-42-1200 Woodruff Key	(1)
	32	38-50-5740 Reversing Spindle	(1)
	34	06-65-0880 Ground Pin	(1)
	35	06-82-7440 7-18 x 2-1/2" Pan Hd. Slit. Plast. T-20	(2)
	36	02-04-1229 Ball Bearing	(1)
	37	34-80-2300 Retaining Ring	(1)
	38	45-36-1100 Spindle Spacer	(1)
	39	06-82-7344 7-18 x 1-1/2" Pan Hd. Slit. Plast. T-20	(1)
	40	48-66-1360 1/2 Chuck	(1)
	41	48-66-3280 Chuck Key	(1)
	42	06-75-3150 Chuck Screw - L.H. Thread	(1)
	43	48-66-4040 Key Holder	(1)
	46	14-30-0520 Gear Case Assembly	(1)
	47	14-38-0591 Motor Housing Assembly	(1)

### FIG. LUBRICATION

46 1-1/2 Oz. Type "E" Grease, No. 49-08-4122. Place Grease Near Intermediate Shaft Ball Bearing In Gear Case.

### FIG. NOTES

- 1 Torque to 18-28 In./Lbs.
- 20, 35, 39 Torque to 15-20 In./Lbs.
- 42 Torque to 40-45 In./Lbs.
- 8 Place in motor housing before inserting armature.
- 24, 29 Press flush to casting surface.
- 29 Press only on end with manufacturer ID.
- 15, 19 Seal towards armature.
- 36 Seal towards retaining ring.

**MILWAUKEE ELECTRIC TOOL CORPORATION**  
13135 W. LISBON RD., BROOKFIELD, WI 53005