



# SERVICE PARTS LIST

**BULLETIN NO.**  
54-06-0325

SPECIFY CATALOG NO. AND SERIAL NO. WHEN ORDERING PARTS		REVISED BULLETIN	DATE
240V. D.I. 1/2" MAGNUM HOLE-SHOOTER			May '85
CATALOG NO. 0236-3	STARTING SERIAL NO. 577-1001	WIRING INSTRUCTION 58-01-0073	

0-850 R.P.M.  
2.0 AMPS

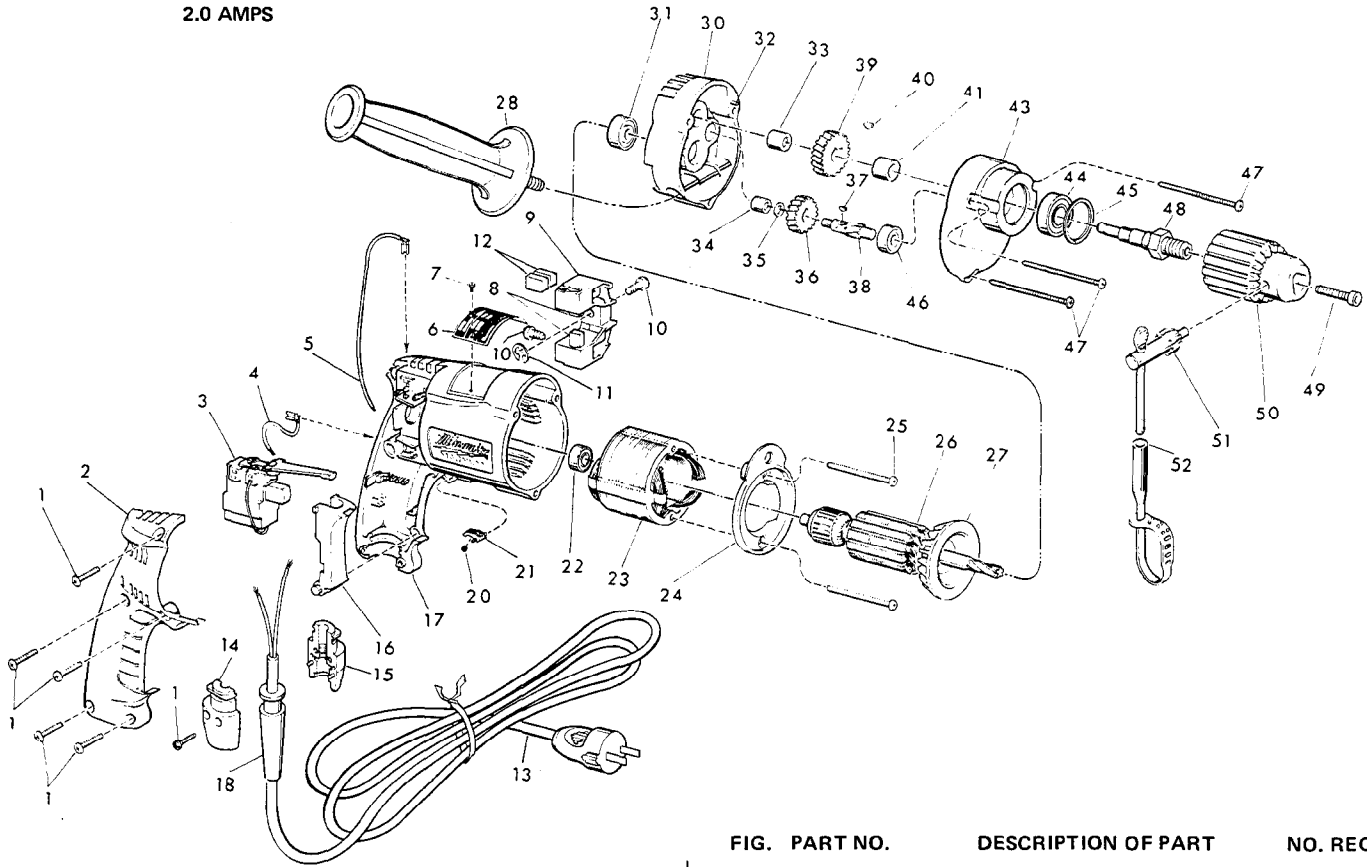


FIG.	PART NO.	DESCRIPTION OF PART	NO. REQ.
1	06-95-0185	7-18 x 11/16 Plastite Screw	(7)
2	31-15-0101	Handle Cover	(1)
3	23-66-1351	Trigger Speed Control Reversing Switch	(1)
4	23-94-9635	2-1/4 Lead Assembly	(1)
5	23-94-9640	7" Lead Assembly	(1)
6	12-99-0076	Nameplate Blank	(1)
7	06-85-0200	Nameplate Screw	(2)
8	22-16-0275	Carbon Brush	(2)
9	22-22-0350	Brush Holder Assy. (Includes Fig. Nos. 10 thru 12)	(1)
10	31-75-0011	Brush Holder Screw	(2)
11	34-60-0500	1/4" Ext. Retaining Ring	(1)
12	22-16-0275	Carbon Brush (Spare)	(2)
13	22-64-2230	Cord Set	(1)
14	31-17-0160	Cord Clamp Base	(1)
15	31-17-0165	Cord Clamp Top	(1)
16	45-72-0080	Trigger	(1)
17	14-38-0360	Motor Housing Assy.	(1)
18	44-76-0120	Cord Protector	(1)
19	10-98-5987	Warning Label (Not Shown)	(1)
20	40-50-0085	Lock Button Spring	(1)
21	42-42-0150	Lock Button	(1)
22	02-04-0645	Ball Bearing	(1)

FIG.	PART NO.	DESCRIPTION OF PART	NO. REQ.
23	18-16-0045	240V Field	
24	31-05-0065	Baffle	(1)
25	06-95-0140	No. 7x1-7/8 Pan Hd. Screw	(2)
26	16-16-0500	240V. Armature Assy. (Includes Fig. No. 27)	(1)
27	22-84-0650	Fan Assembly	(1)
28	43-62-0885	Side Handle	(1)
29	14-13-0350	Diaphragm Assy. (Fig. Nos. 30 thru 34)	(1)
30	28-28-1570	Diaphragm	(1)
31	02-04-0847	Ball Bearing	(1)
32	06-65-0825	1/8x1/2 Groove Pin No. 5	(1)
33	02-50-2020	Needle Bearing	(1)
34	02-50-1620	Needle Bearing	(1)
35	45-88-7721	Heat Treated Washer	(1)
36	32-40-1815	Intermediate Gear	(1)
37	06-42-0400	Woodruff Key	(1)
38	36-66-4260	Intermediate Pinion	(1)
39	32-75-2910	Spindle Gear	(1)
40	06-42-1200	Woodruff Key	(1)
41	45-36-1100	Spacer	(1)
42	14-30-0335	Gear Case Assy. (Fig. Nos. 43 thru 46)	(1)
43	28-14-1800	Gear Case	(1)
44	02-04-1230	Ball Bearing	(1)
45	34-80-2300	Retaining Ring	(1)
46	02-04-0640	Ball Bearing	(1)
47	06-95-0150	No. 7x2-3/16" Pan Hd. Screw	(3)
48	38-50-5250	Spindle - Double Reduction	(1)
49	06-75-3150	1/4-20x1" Socket Hd. Screw - L.H. Thread	(1)
50	48-66-1360	1/2" Chuck (Includes Fig. No. 51)	(1)
51	48-66-3280	Chuck Key	(1)
52	48-66-4040	Key Holder	(1)