



# SERVICE PARTS LIST

**BULLETIN NO.**  
**54-06-2150**

SPECIFY CATALOG NO. AND SERIAL NO. WHEN ORDERING PARTS		REVISED BULLETIN	DATE
<b>1/2" MAGNUM HOLE-SHOOTER w/SPINDLE LOCK</b>			Nov. '98
CATALOG NO. <b>0235-20</b>	STARTING SERIAL NUMBER <b>978A</b>	WIRING INSTRUCTION <b>58-01-1650</b>	

**EXAMPLE:**  
Component Parts (Small #)  
Are Included When Ordering  
The Assembly (Large #).

00  
0

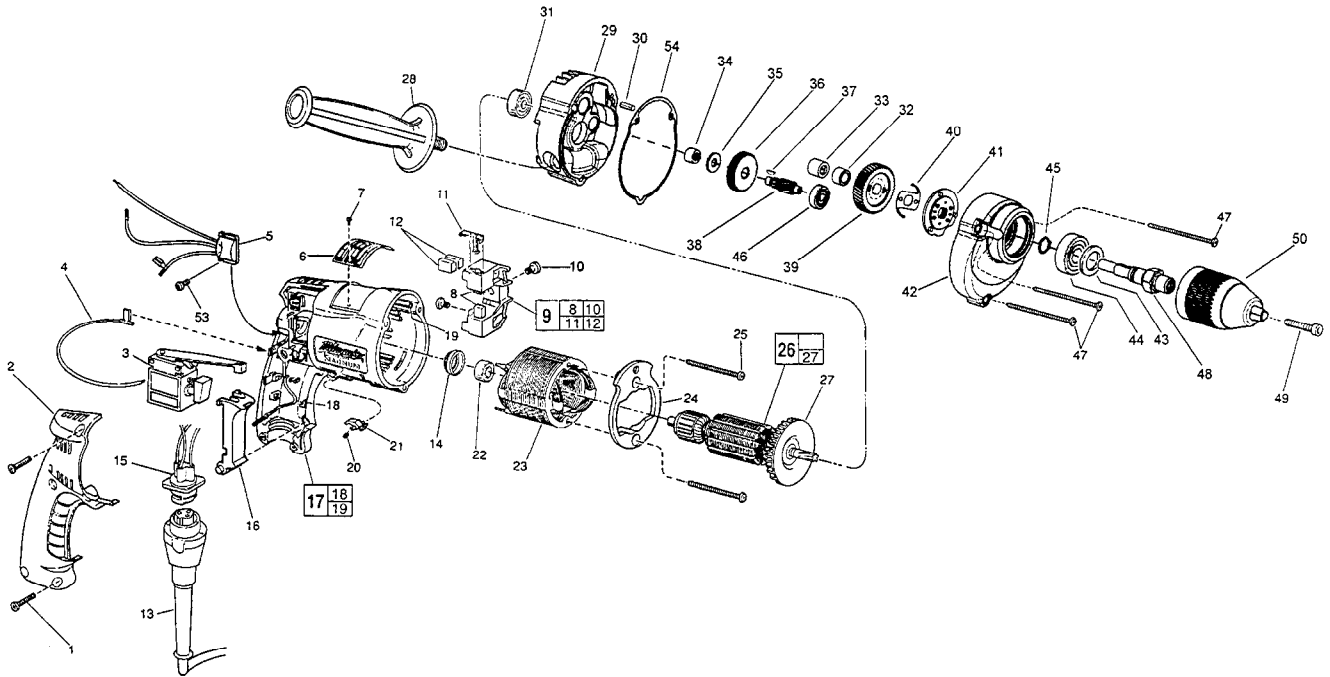


FIG.	PART NO.	DESCRIPTION OF PART	QTY
1	06-82-7266	7-1/8" x 11/16" Pan Hd. Plastite T-20	(5)
2	31-15-0402	Handle Cover	(1)
3	23-66-1666	Trigger Speed Control Reversing Switch	(1)
4	23-94-6247	2-1/4" Lead Assembly	(1)
5	14-20-0795	Remote Electronic Assembly	(1)
6	12-99-0071	Nameplate Blank	(1)
7	06-72-1720	Nameplate Rivet	(2)
8	22-16-0275	Carbon Brush	(2)
9	22-22-0351	Brush Holder Assembly	(1)
10	31-75-0040	Brush Holder Screw	(2)
11	22-20-0345	Brush Spring Assembly	(2)
12	22-16-0275	Carbon Brush (Spares)	(2)
13	48-76-4008	Cord Set	(1)
14	22-72-0100	Bearing Cup	(1)
15	22-56-0807	Pin Housing Assembly	(1)
16	45-72-0081	Trigger	(1)
17	14-38-0540	Motor Housing Assembly	(1)
18	23-94-9960	Ground Wire Assembly	(1)
19	44-60-1290	Grounding Pin	(1)
20	40-50-0085	Lock Button Spring	(1)
21	42-42-0460	Lock Button	(1)
22	02-04-0645	Ball Bearing	(1)
23	18-11-0075	120 Volt Field	(1)
24	42-14-0390	Baffle	(1)
25	06-82-7398	7-18 x 2-1/16" Pan Hd. Plastite T-20	(2)
26	16-10-0800	120 Volt Armature Assembly	(1)
27	22-84-0880	Fan Assembly	(1)
28	43-62-0885	Side Handle	(1)
29	28-28-2015	Diaphragm	(1)
30	06-65-0880	Pin	(1)

FIG.	PART NO.	DESCRIPTION OF PART	QTY
31	02-04-0847	Ball Bearing	(1)
★ 32	45-22-0600	Retaining Sleeve	(1)
33	02-50-2020	Needle Bearing	(1)
34	02-50-1620	Needle Bearing	(1)
35	45-88-7721	Thrust Washer	(1)
36	32-40-1815	Intermediate Gear	(1)
37	06-42-0400	Woodruff Key	(1)
38	36-66-4285	Intermediate Pinion	(1)
39	32-75-2806	Spindle Gear Assembly	(1)
★ 40	40-50-8525	Click Spring	(1)
41	14-29-0040	Spindle Lock Assembly	(1)
42	28-14-1850	Gear Case	(1)
43	34-80-2300	Retaining Ring	(1)
44	02-04-1229	Ball Bearing	(1)
★ 45	34-60-0900	Exterior Retaining Ring	(1)
46	02-04-0640	Ball Bearing	(1)
47	06-82-7411	7-18 x 2-3/16" Pan Hd. Plastite T-20	(3)
48	38-50-5255	Spindle	(1)
49	06-81-2925	1/4-20 x 1" Flat Hd. Screw L.H. Thd.	(1)
50	48-66-0605	Keyless Chuck	(1)
53	06-82-7212	4-20 x 1/4" Pan Hd. Plastite T-10	(1)
54	43-44-0913	Gasket	(1)
	23-94-6232	4" Lead Assembly	(1)
	23-94-6237	4-1/8" Lead Assembly	(1)
	23-94-6242	3-3/8" Lead Assembly	(1)
	10-98-5986	Warning Label	(1)

**FIG. LUBRICATION**

43 49-08-4122 1-1/2 oz. Type "E" Grease