



SERVICE PARTS LIST

BUL. 54-06-0150

1/2" MAGNUM HOLE-SHOOTER

REVISED BUL. DATE
Dec. '78

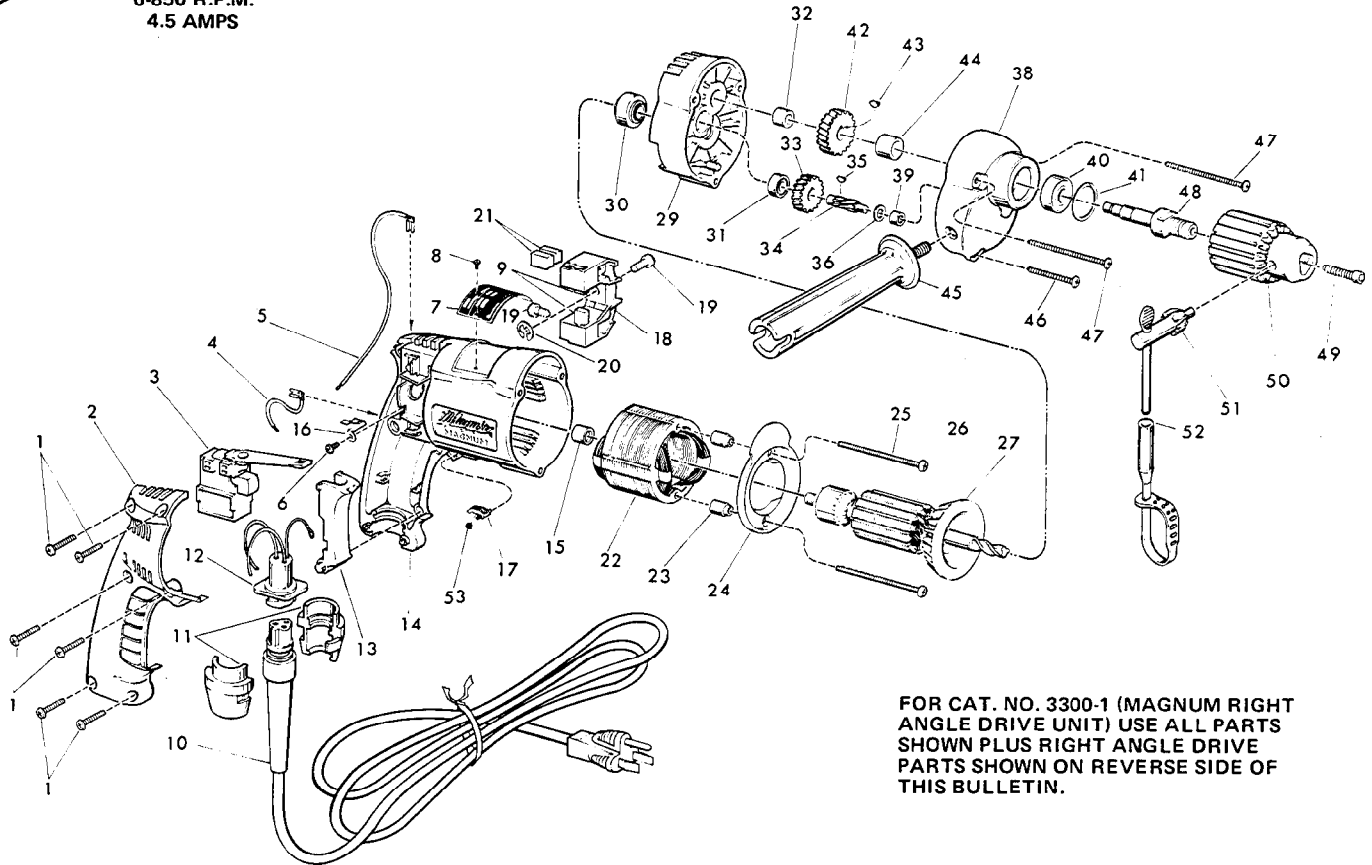
Catalog No. 0234-1

Starting Serial No. **532-1001**

WIRING INSTRUCTIONS
58-01-0070

Specify Catalog and Serial No. when ordering parts

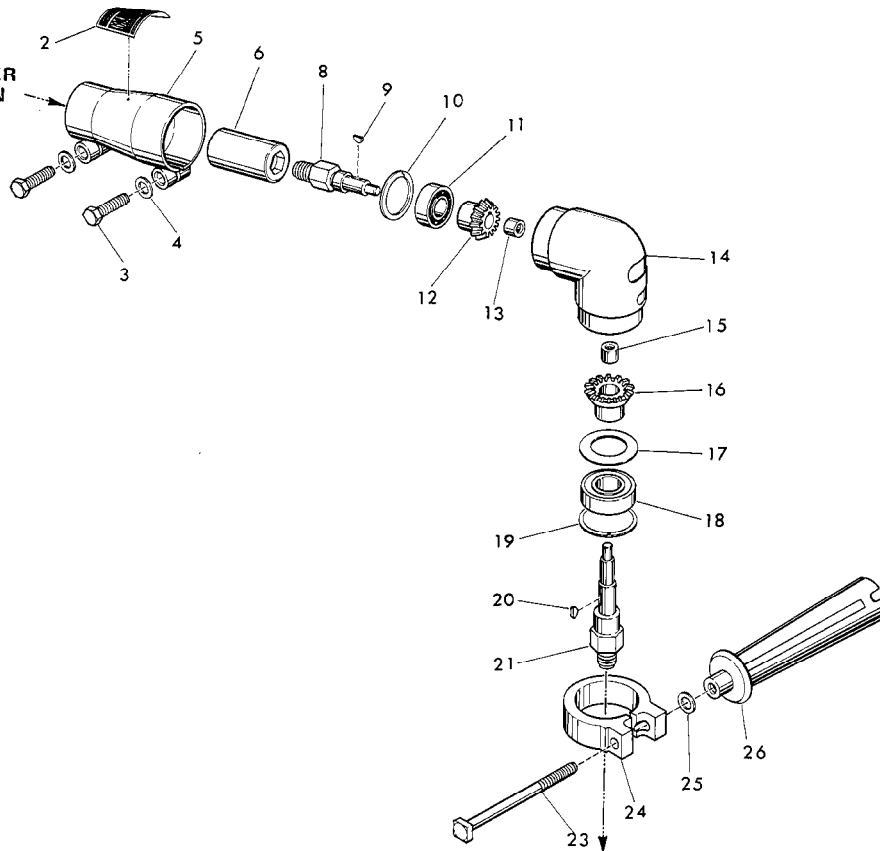
0-850 R.P.M.
4.5 AMPS



FOR CAT. NO. 3300-1 (MAGNUM RIGHT ANGLE DRIVE UNIT) USE ALL PARTS SHOWN PLUS RIGHT ANGLE DRIVE PARTS SHOWN ON REVERSE SIDE OF THIS BULLETIN.

FIG.	PART NO.	DESCRIPTION OF PART	NO. REQ.	FIG.	PART NO.	DESCRIPTION OF PART	NO. REQ.
1	06-95-0220	8-18x3/4 Pan Hd. Thread Form Screw	(6)	26	16-10-0210	120 Volt Armature (Inc. Fig. No. 27)	(1)
2	31-15-0100	Handle Cover	(1)	27	22-84-0650	Fan Assembly	(1)
3	23-66-0980	Reversing Speed Control Switch	(1)	28	14-13-0300	Diaphragm Assy. (Fig. Nos. 29 thru 32)	(1)
4	23-94-9625	2-1/4" Lead Assembly	(1)	29	31-20-0025	Diaphragm	(1)
5	23-94-9630	7" Lead Assembly	(1)	30	02-04-0885	Ball Bearing	(1)
6	06-95-5100	6-32x1/4 Phillip Pan Hd. Screw	(1)	31	02-08-0215	Ball Bearing	(1)
7	12-99-0071	Nameplate Blank	(1)	32	02-50-1620	Needle Bearing	(1)
8	06-85-0200	Nameplate Screw	(2)	33	32-40-1720	Intermediate Gear	(1)
9	22-16-0270	Carbon Brush	(2)	34	36-66-4150	Intermediate Pinion	(1)
10	48-76-3008	Cord Set (Includes Fig. No. 11)	(1)	35	06-42-0400	Woodruff Key	(1)
11	44-40-0440	Cord Nut	(2)	36	45-88-7301	Thrust Washer	(1)
12	22-56-0300	Pin Housing Assembly	(1)	37	14-30-0020	Gear Case Assy. (Fig. Nos. 38 thru 41)	(1)
13	45-72-0080	Trigger	(1)	38	31-40-0025	Gear Case	(1)
14	14-38-0300	Motor Housing Assy. (Incl. Fig. Nos. 15 & 16)	(1)	39	02-50-1200	Needle Bearing	(1)
15	02-50-2025	Needle Thrust Bearing	(1)	40	02-04-1020	Ball Bearing	(1)
16	23-74-0530	Ground Terminal	(1)	41	34-80-1400	Retaining Ring	(1)
17	42-42-0150	Lock Button	(1)	42	32-75-2800	Spindle Gear	(1)
18	22-22-0350	Brush Holder Assy. (Inc. Fig. Nos. 19 thru 21)	(1)	43	06-42-0400	Woodruff Key	(1)
19	31-75-0010	Brush Holder Screw	(2)	44	45-36-0815	Spacer	(1)
20	34-60-0500	1/4" Ext. Retaining Ring	(1)	45	43-62-0600	Side Handle	(1)
21	22-16-0270	Carbon Brush (Spares)	(2)	46	06-95-0250	8-18x1-5/8 Pan Hd. Thread Form Screw	(1)
22	18-10-0040	120 Volt Field	(1)	47	06-95-0270	8-18x2-1/8 Pan Hd. Thread Form Screw	(2)
23	45-36-0810	Baffle Spacer	(2)	48	38-50-5080	Spindle	(1)
24	31-05-0060	Baffle	(1)	49	06-75-3150	1/4-20x1 Skt. Hd. Screw - L.H. Thread	(1)
25	06-95-0280	8-18x2-3/8 Pan Hd. Thread Form Screw	(2)	50	48-66-1360	1/2" Chuck (Includes Fig. No. 51)	(1)
				51	48-66-3280	Chuck Key	(1)
				52	48-66-4040	Key Holder	(1)
				53	40-50-0085	Lock Button Spring	(1)
				54	10-98-5940	Caution Plate (Not Shown)	(1)

FROM FIG. NO. 48 OTHER
SIDE OF THIS BULLETIN



ADD FIG. NO. 49 & 50
REFER TO OTHER SIDE OF BULLETIN

FIG.	PART NO.	DESCRIPTION OF PART	NO. REQ.
1	—	Magnum Right Angle Drive Assembly (Includes Fig. Nos. 2 Thru 29)	(1)
2	12-15-6005	Right Angle Drive Nameplate	(1)
3	06-75-0500	3/8-16 x 1" Hex HD Screw	(2)
4	45-88-0601	Washer	(2)
5	45-22-0411	Plated Attachment Sleeve	(1)
6	42-90-0090	Female Hex Coupling	(1)
7	14-72-0110	Reversing Drive Assembly (Includes Fig. Nos. 8 thru 21)	(1)
8	38-50-2951	Reversing Spindle	(1)
9	06-42-1200	Woodruff Key	(1)
10	34-80-2300	Retaining Ring	(1)
11	02-04-1230	Ball Bearing	(1)
12	32-05-1021	Bevel Gear	(1)
13	02-50-1610	Needle Bearing	(1)
14	28-50-7551	Right Angle Housing	(1)
15	02-50-1610	Needle Bearing	(1)
16	32-05-1001	Bevel Gear	(1)
17	45-88-0525	Washer	(1)
18	02-04-1745	Ball Bearing	(1)
19	34-80-2900	Retaining Ring	(1)
20	06-42-1200	Woodruff Key	(1)
21	38-50-2801	Reversing Spindle	(1)
22	49-15-0240	Side Handle Assembly (Includes Fig. Nos. 23 Thru 26)	(1)
23	42-32-0160	5/16-18 Square HD Bolt	(1)
24	28-82-0150	Handle Ring	(1)
25	45-88-0080	Washer	(1)
26	43-62-0700	Side Handle	(1)
PARTS NOT SHOWN			
	44-60-0190	Knockout Pin	(1)
	49-96-0080	3/16" Socket Wrench	(1)
	49-96-4060	9/16" Open End Wrench	(1)