



SERVICE PARTS LIST

BULLETIN NO.
54-06-0572

SPECIFY CATALOG NO. AND SERIAL NO. WHEN ORDERING PARTS		REVISED BULLETIN	DATE
3/8" T.S.C. REV. HOLE-SHOOTER		54-06-0571	Apr. '88
CATALOG NO. 0228-1	STARTING SERIAL NO. 689-189001	WIRING INSTRUCTION	
		58-01-0018	

EXAMPLE:
Component Parts (Small #)
Are Included When Ordering
The Assembly (Large #).

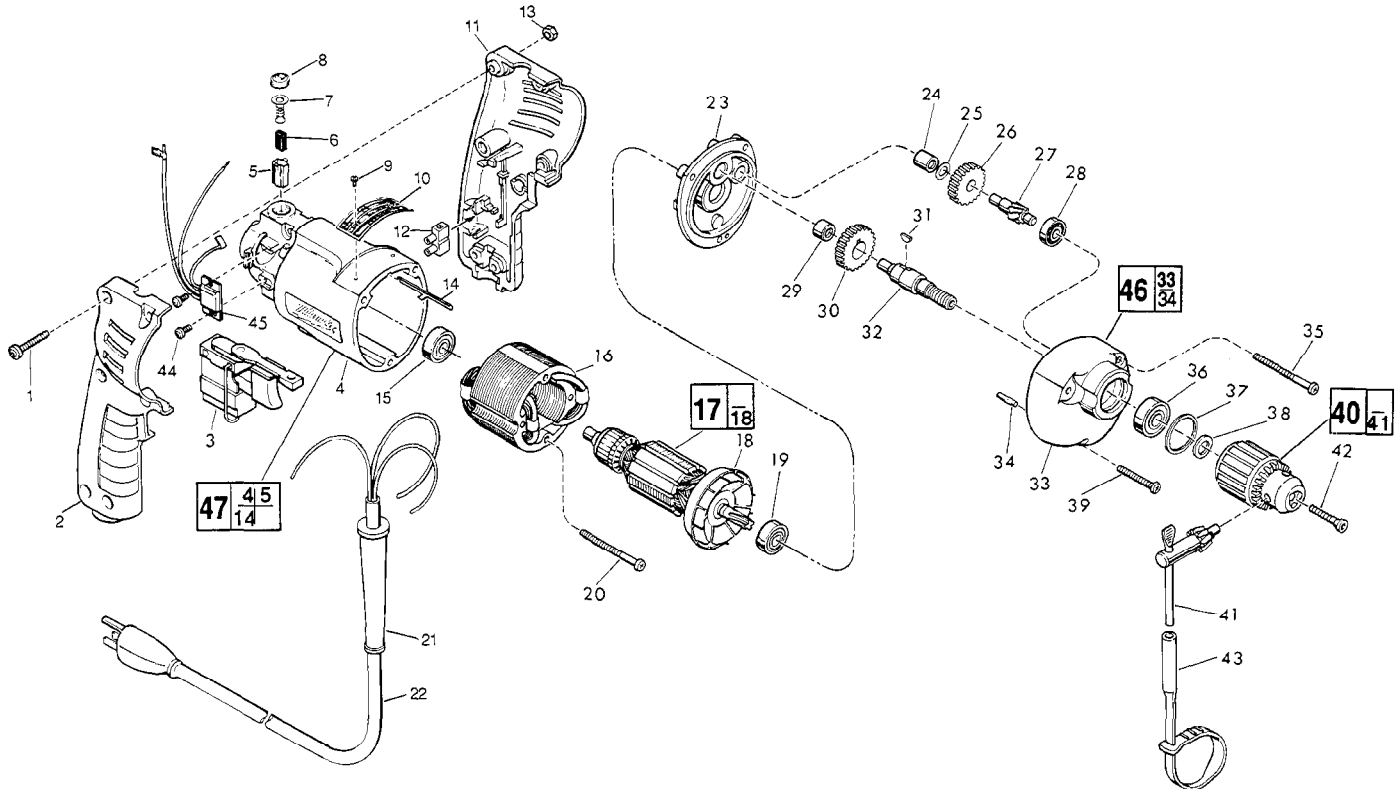


FIG.	PART NO.	DESCRIPTION	NO. REQ.	FIG.	PART NO.	DESCRIPTION	NO. REQ.
★	1	06-82-2361 8-32x15/16" Pan Hd. Slit. Torx Screw	(6)	29	02-50-1620	Needle Bearing	(1)
	2	31-44-1130 Right Handle Half	(1)	30	32-75-3230	Spindle Gear	(1)
★	3	23-66-1655 Speed Control Switch	(1)	31	06-42-0800	Woodruff Key	(1)
★	4	31-50-0346 Motor Housing	(1)	32	38-50-5660	Reversing Spindle	(1)
	5	22-20-0530 Brush Tube	(2)	33	28-14-1820	Gear Case	(1)
	6	22-16-0275 Carbon Brush	(2)	34	06-65-0825	1/8 x 1/2" Groove Pin 5	(1)
	7	23-52-0210 Brush Retaining Assembly	(2)	★	35	06-82-7368 7-18x1-3/4" Pan Hd. Slit. Plast Torx Screw	(2)
	8	23-44-0120 Brush Retaining Screw	(2)	36	02-04-1020	Ball Bearing	(1)
	9	06-85-0200 Nameplate Screw	(2)	37	34-80-1400	Retaining Ring	(1)
	10	12-99-0420 Nameplate Blank	(2)	38	45-88-7940	Chuck Washer	(1)
	11	31-44-1140 Left Handle Half	(1)	★	39	06-82-7308 7x1-1/8" Pan Hd. Slit. Plast. Torx Screw	(1)
★	12	22-56-0456 Terminal Block	(1)	40	48-66-0795	3/8" Chuck	(1)
	13	06-55-0835 8-32 Hex Nut	(1)	41	48-66-3240	Chuck Key	(1)
	14	44-60-0530 Ground Pin	(6)	42	45-04-0750	Chuck Screw - L.H. Thread	(1)
	15	02-04-0645 Ball Bearing	(1)	43	48-66-4040	Key Holder	(1)
	16	18-10-0060 120 Volt Field	(1)	★	44	06-82-7212 4-20x1/4" Pan Hd. Slit. Plast. Torx Screw	(2)
	17	16-10-0470 120 Volt D.I. Armature	(1)	★	45	14-20-0240 Remote Electronic Assembly	(1)
	18	22-84-0760 Fan Assembly	(1)	46	14-30-0620	Gear Case Assembly	(1)
	19	02-04-0847 Ball Bearing	(1)	★	47	14-38-0375 Motor Housing Assembly	(1)
★	20	06-82-7368 7-18x1-3/4" Pan Hd. Slit. Plast. Torx Screw	(2)				
	21	44-76-0130 Cord Protector	(1)				
	22	22-64-1120 Cord Set	(1)				
	23	28-28-1770 Diaphragm	(1)				
	24	02-50-1210 Needle Bearing	(1)				
	25	45-88-7301 Heat Treated Washer	(1)				
	26	32-40-1950 Intermediate Gear	(1)				
	27	36-66-4380 Intermediate Shaft	(1)				
	28	02-04-0640 Ball Bearing	(1)				

FIG LUBRICATION

33 1-1/2 Oz. Type "E" Grease, No. 49-08-4121.
Place Grease Near Intermediate Shaft
Ball Bearing In Gear Case.

MILWAUKEE ELECTRIC TOOL CORPORATION
13135 W. LISBON RD., BROOKFIELD, WI 53005