



SERVICE PARTS LIST

BULLETIN NO.
54-06-0902

SPECIFY CATALOG NO. AND SERIAL NO. WHEN ORDERING PARTS		REVISED BULLETIN 54-06-0901	DATE Apr.'98
3/8" T.S.C. REV. HOLE-SHOOTER			
CATALOG NO. 0227-1	STARTING SERIAL NO. 831C / 831D	WIRING INSTRUCTION 58-01-1591	

EXAMPLE:
Component Parts (Small #)
Are Included When Ordering
The Assembly (Large #).

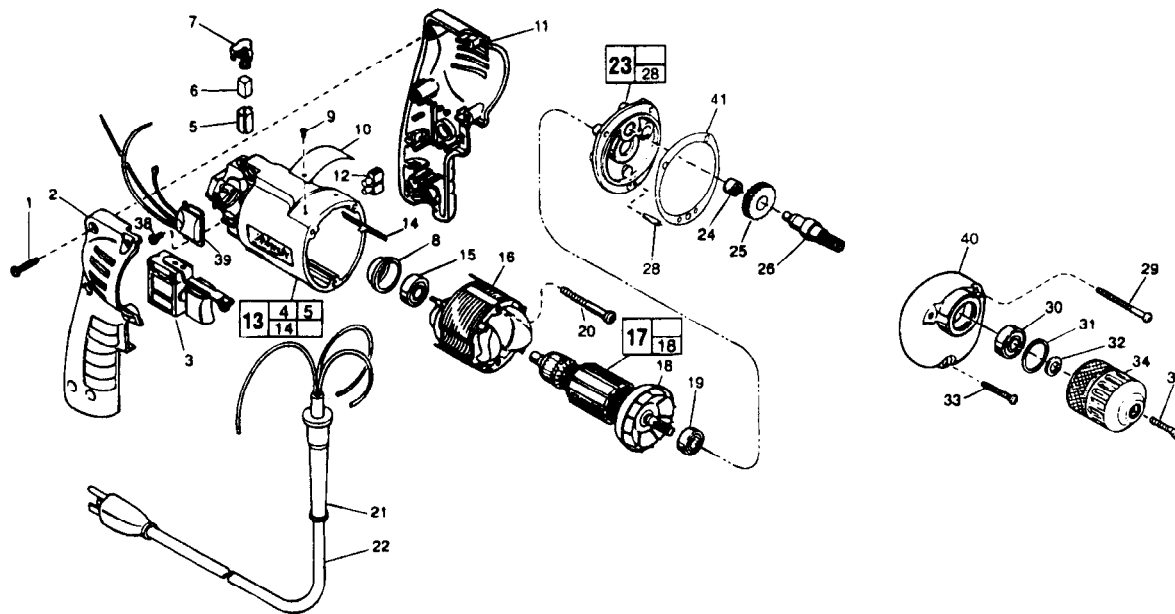


FIG.	PART NO.	DESCRIPTION OF PART	NO. REQ.	FIG.	PART NO.	DESCRIPTION OF PART	NO. REQ.
	1	06-82-7284 8-16x3/4" Pan Hd. Slit. Plast. T-20	(6)		30	02-04-1020 Ball Bearing	(1)
	2	31-44-1745 Right Handle Half	(1)		31	34-80-1400 Retaining Ring	(1)
	3	23-66-2145 Speed Control Switch	(1)		32	45-88-7940 Chuck Washer	(1)
	4	23-94-6225 Ground Wire Assembly (Not Shown)	(1)		33	06-82-7308 7-18x1-1/8" Pan Hd. Slit. Plast. T-20	(1)
	5	22-20-0830 Brush Tube	(2)		34	48-66-0390 3/8" Keyless Chuck	(1)
	6	22-16-0275 Carbon Brush	(2)		36	45-04-0750 Chuck Screw-L.H. Thread	(1)
	7	23-52-1560 Brush Spring Assembly	(2)		38	06-82-7212 4-20x1/4" Pan Hd. Plastite T-10	(1)
	8	22-72-0100 Bearing Cup	(1)		39	14-20-0750 Remote Electronic Assembly	(1)
	9	06-72-1720 Nameplate Rivet	(2)	★	40	28-14-1835 Gear Case	(1)
	10	12-99-0850 Service Nameplate	(1)	★	41	43-44-0925 Gasket	(1)
	11	31-44-1740 Left Handle Half	(1)				
	12	22-56-0456 Terminal Block	(1)	FIG. LUBRICATION			
	13	14-38-0601 Motor Housing Assembly	(1)	40	1-1/8 Oz. Type "E" Grease, No. 49-08-4122.		
	14	44-60-0530 Ground Pin	(1)		Place In Center Of Gear Case.		
	15	02-04-0645 Ball Bearing	(1)	FIG. NOTES			
	16	18-11-0060 120 Volt Field	(1)	1	Torque to 18-28 In./Lbs.		
	17	16-10-0440 120 Volt Armature	(1)	20, 29, 33	Torque to 15-20 In./Lbs.		
	18	22-84-0760 Fan Assembly	(1)	36	Torque to 30-50 In./Lbs.		
	19	02-04-0847 Ball Bearing	(1)	38	Torque to 3-5 In./Lbs.		
	20	06-82-7393 7-18x2" Pan Hd. Slit. Plast. T-20	(2)	8	Place in motor housing before inserting armature.		
	21	44-76-0210 Cord Protector	(1)	24	Press flush to casting surface.		
	22	22-64-1120 Cord Set	(1)	15, 19	Seal towards armature.		
★	23	14-13-0525 Diaphragm Assembly	(1)	30	Seal towards chuck.		
	24	02-50-1620 Needle Bearing	(1)				
	25	32-75-3260 Spindle Gear	(1)				
	26	38-50-5670 Spindle	(1)				
★	28	06-65-0880 Ground Pin	(1)				
	29	06-82-7344 7-18x1-1/2" Pan Hd. Slit. Plast. T-20	(2)				

MILWAUKEE ELECTRIC TOOL CORPORATION
13135 W. LISBON RD., BROOKFIELD, WI 53005

Drwg. 2