



SERVICE PARTS LIST

3/8" MAGNUM HOLE-SHOOTER

Catalog No. **0224-1**

Starting Serial No. **574-1001**

Specify Catalog and Serial No. when ordering parts

BUL. 54-06-0225

REVISED BUL.

DATE

Aug '78

WIRING INSTRUCTIONS -

58-01-0070

0-1200 R.P.M.
4.5 AMPS

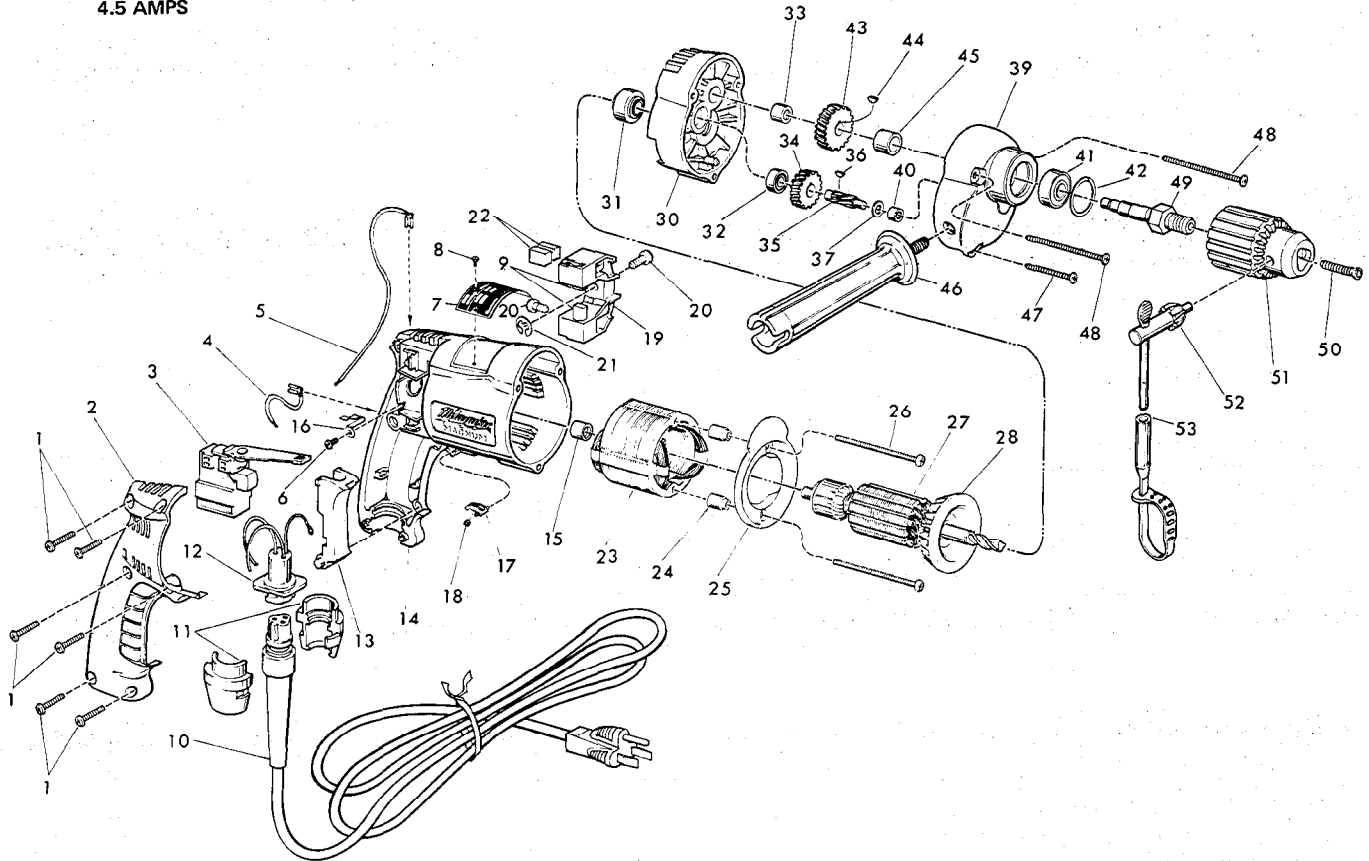


FIG.	PART NO.	DESCRIPTION OF PART	NO. REQ.	FIG.	PART NO.	DESCRIPTION OF PART	NO. REQ.
1	06-95-0220	8-18x3/4 Pan Hd. Thread Form Screw	(6)	28	22-84-0650	Fan Assembly	(1)
2	31-15-0100	Handle Cover	(1)	29	14-13-0300	Diaphragm Assy. (Includes Fig. Nos. 30 thru 33)	(1)
3	23-66-0980	Reversing Speed Control Switch	(1)	30	31-20-0025	Diaphragm	(1)
4	23-94-9625	2-1/4" Lead Assembly	(1)	31	02-04-0885	Ball Bearing	(1)
5	23-94-9630	7" Lead Assembly	(1)	32	02-08-0215	Ball Bearing	(1)
6	06-95-5100	6-32x1/4 Phillip Pan Hd. Screw	(1)	33	02-50-1620	Needle Bearing	(1)
7	12-99-0070	Nameplate Blank	(1)	34	32-40-1720	Intermediate Gear	(1)
8	06-85-0200	Nameplate Screw	(2)	35	36-66-4160	Intermediate Pinion	(1)
9	22-16-0270	Carbon Brush	(2)	36	06-42-0490	Woodruff Key	(1)
10	48-76-3008	Cord Set (Includes Fig. No. 11)	(1)	37	45-88-7300	Bronze Thrust Washer	(1)
11	44-40-0440	Cord Nut	(2)	38	14-30-0020	Gear Case Assy. (Includes Fig. Nos. 39 thru 42)	(1)
12	22-56-0300	Pin Housing Assembly	(1)	39	31-40-0025	Gear Case	(1)
13	45-72-0080	Trigger	(1)	40	02-50-1200	Needle Bearing	(1)
14	14-38-0300	Motor Housing Assy. (Includes Fig. Nos. 15 & 16)	(1)	41	02-04-1020	Ball Bearing	(1)
15	02-50-2025	Needle Thrust Bearing	(1)	42	34-80-1400	Retaining Ring	(1)
16	23-74-0530	Ground Terminal	(1)	43	32-75-2810	Spindle Gear	(1)
17	42-42-0150	Lock Button	(1)	44	06-42-0400	Woodruff Key	(1)
18	40-50-0085	Lock Button Spring	(1)	45	45-36-0815	Spacer	(1)
19	22-22-0350	Brush Holder Assy. (Includes Fig. Nos. 20 thru 22)	(1)	46	43-62-0600	Side Handle (Optional)	(1)
20	31-75-0010	Brush Holder Screw	(2)	47	06-95-0250	8-18x1-5/8 Pan Hd. Thread Form Screw	(1)
21	34-60-0500	1/4" External Retaining Ring	(1)	48	06-95-0270	8-18x2-1/8 Pan Hd. Thread Form Screw	(2)
22	22-16-0270	Carbon Brush (Spares)	(2)	49	38-50-5080	Spindle	(1)
23	18-10-0040	120 Volt Field	(1)	50	06-81-2925	1/4-20x1-1/8 L.H. Flat Socket Hd. Screw	(1)
24	45-36-0810	Baffle Spacer	(2)	51	48-66-0224	3/8" Chuck (Includes Fig. No. 52)	(1)
25	31-05-0060	Baffle	(1)	52	48-66-3280	Chuck Key	(1)
26	06-95-0280	8-18x2-3/8 Pan Hd. Thread Form Screw	(2)	53	48-66-4040	Key Holder	(1)
27	16-10-0210	120 Volt Armature (Includes Fig. No. 28)	(1)	54	12-98-7081	Caution Plate (Not Shown)	(1)