



# SERVICE PARTS LIST

BULLETIN NO.  
55-06-0030

SPECIFY CATALOG NO. AND SERIAL NO. WHEN ORDERING PARTS		REVISED BULLETIN	DATE
3/8" T.S.C. REV. HOLE-SHOOTER			May '93
CATALOG NO. 0222-4	STARTING SERIAL NO. 430A	WIRING INSTRUCTION 58-03-0023	

EXAMPLE:  
Component Parts ( Small #)  
Are Included When Ordering  
The Assembly (Large #).

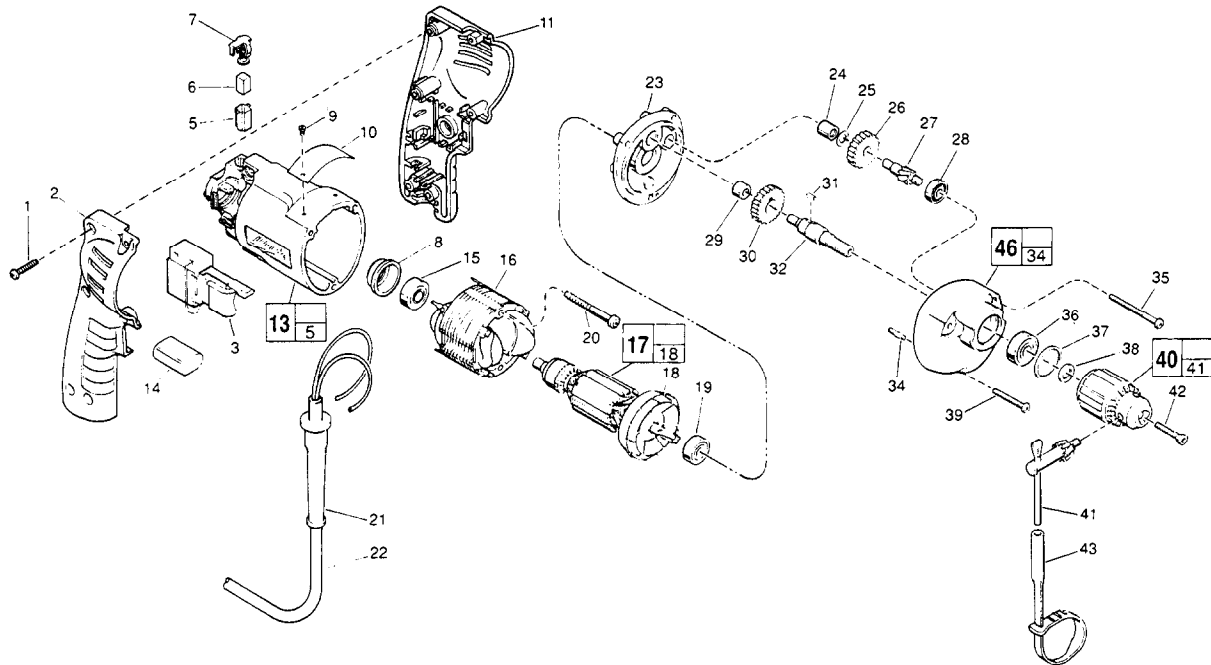


FIG. PART NO.	DESCRIPTION OF PART	NO. REQ.
1	06-82-7284 8-16 x 3/4" Pan Hd. Slit. Plast. T-20	(6)
2	31-44-1745 Right Handle Half	(1)
3	23-66-2075 Speed Control Switch	(1)
5	22-20-0830 Brush Tube	(2)
6	22-16-0375 Carbon Brush	(2)
7	23-52-1570 Brush Retaining Assembly	(2)
8	22-72-0100 Bearing Cup	(1)
9	06-85-0200 Nameplate Screw	(2)
10	12-99-0570 Service Nameplate	(1)
11	31-44-1740 Left Handle Half	(1)
13	14-38-0590 Motor Housing Assembly	(1)
14	14-20-0530 Capacitor Assembly	(1)
15	02-04-0645 Ball Bearing	(1)
16	18-12-0160 Field	(1)
17	16-16-0470 Armature	(1)
18	22-84-0760 Fan Assembly	(1)
19	02-04-0847 Ball Bearing	(1)
20	06-82-7393 7-18 x 2" Pan Hd. Slit. Plast. T-20	(2)
21	44-76-0210 Cord Protector	(1)
22	22-64-4480 Cord Set	(1)
23	28-28-1940 Diaphragm	(1)
24	02-50-1210 Needle Bearing	(1)
25	45-88-7301 Heat Treated Washer	(1)
26	32-40-1950 Intermediate Gear	(1)
27	36-66-4380 Intermediate Pinion Shaft	(1)
28	02-04-0640 Ball Bearing	(1)
29	02-50-1620 Needle Bearing	(1)
30	32-75-3230 Spindle Gear	(1)

FIG. PART NO.	DESCRIPTION OF PART	NO. REQ.
31	06-42-0800 Woodruff Key	(1)
32	38-50-5660 Reversing Spindle	(1)
34	06-65-0825 1/8 x 1/2" Groove Pin 5	(1)
35	06-82-7368 7-18 x 1-3/4" Pan Hd. Slit. Plast. T-20	(2)
36	02-04-1020 Ball Bearing	(1)
37	34-80-1400 Retaining Ring	(1)
38	45-88-7940 Chuck Washer	(1)
39	06-82-7308 7-18 x 1-1/8" Pan Hd. Slit. Plast. T-20	(1)
40	48-66-0805 3/8" Chuck	(1)
41	48-66-3080 Chuck Key	(1)
42	45-04-0750 Chuck Screw - L.H. Thread	(1)
43	48-66-4040 Key Holder	(1)
46	14-30-0620 Gear Case Assembly	(1)

FIG. LUBRICATION  
46 1-1/2 Oz. Type "E" Grease, No. 49-08-4122. Place Grease Near Intermediate Shaft Ball Bearing In Gear Case.

FIG. NOTES  
1 Torque to 18-22 In./Lbs.  
20, 35, 39 Torque to 15-20 In./Lbs.  
42 Torque to 30-35 In./Lbs.  
8 Place in motor housing before inserting armature.  
24, 29 Press flush to casting surface.  
15, 19 Seal towards armature.  
36 Seal towards chuck.