



# SERVICE PARTS LIST

**BULLETIN NO.**  
**54-06-2312**

SPECIFY CATALOG NO. AND SERIAL NO. WHEN ORDERING PARTS		REVISED BULLETIN	DATE
<b>3/8" T.S.C. REV. HOLE-SHOOTER</b>		54-06-2311	Nov. '94
CATALOG NO. <b>0222-1</b>	STARTING SERIAL NO. <b>430C</b>	WIRING INSTRUCTION <b>58-01-0032</b>	

**EXAMPLE:**  
Component Parts (Small #)  
Are Included When Ordering  
The Assembly (Large #).

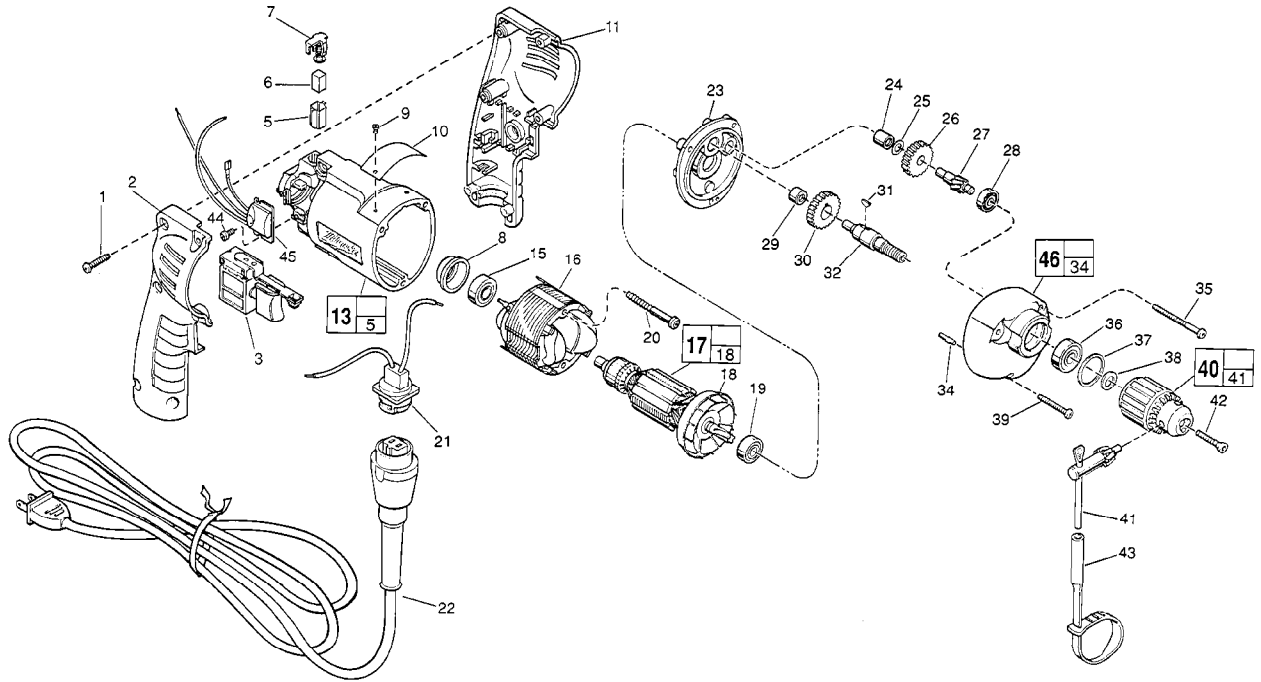


FIG.	PART NO.	DESCRIPTION OF PART	NO. REQ.
	1	8-16 x 3/4" Pan Hd. Slit. Plast. T-20	(6)
	2	Right Handle Half	(1)
	3	Speed Control Switch	(1)
	5	Brush Tube	(2)
	6	Carbon Brush	(2)
	7	Brush Spring Assembly	(2)
	8	Bearing Cup	(1)
★	9	Nameplate Rivet	(2)
	10	Service Nameplate	(1)
	11	Left Handle Half	(1)
★	13	Motor Housing Assembly	(1)
	15	Ball Bearing	(1)
	16	120 Volt Field	(1)
	17	120 Volt D.I. Armature	(1)
	18	Fan Assembly	(1)
	19	Ball Bearing	(1)
	20	7-18 x 2" Pan Hd. Slit. Plast. T-20	(2)
	21	Blade Housing Assembly	(1)
	22	Cord Set	(1)
	23	Diaphragm	(1)
	24	Needle Bearing	(1)
	25	Heat Treated Washer	(1)
	26	Intermediate Gear	(1)
	27	Intermediate Pinion Shaft	(1)
	28	Ball Bearing	(1)
	29	Needle Bearing	(1)
	30	Spindle Gear	(1)

FIG.	PART NO.	DESCRIPTION OF PART	NO. REQ.
	31	Woodruff Key	(1)
	32	Reversing Spindle	(1)
	34	1/8 x 1/2" Groove Pin 5	(1)
	35	7-18 x 1-3/4" Pan Hd. Slit. Plast. T-20	(2)
	36	Ball Bearing	(1)
	37	Retaining Ring	(1)
	38	Chuck Washer	(1)
	39	7-18 x 1-1/8" Pan Hd. Slit. Plast. T-20	(1)
	40	3/8" Chuck	(1)
	41	Chuck Key	(1)
	42	Chuck Screw - L.H. Thread	(1)
	43	Key Holder	(1)
	44	4-20 x 1/4" Pan Hd. Slit. Plast. T-10	(1)
★	45	Remote Electronic Assembly	(1)
	46	Gear Case Assembly	(1)

**FIG. LUBRICATION**  
46 1-1/2 Oz. Type "E" Grease, No. 49-08-4122. Place Near Intermediate Shaft Ball Bearing In Gear Case.

**FIG. NOTES**  
1 Torque to 18-28 In./Lbs.  
20, 35, 39 Torque to 15-20 In./Lbs.  
42 Torque to 30-50 In./Lbs.  
44 Torque to 3-5 In./Lbs.  
8 Place in motor housing before inserting armature.  
24,29 Press flush to casting surface.  
15,19 Seal towards armature.  
36 Seal towards chuck.

**MILWAUKEE ELECTRIC TOOL CORPORATION**  
13135 W. LISBON RD., BROOKFIELD, WI 53005