



# SERVICE PARTS LIST

**BUL. 54-06-2303**

**3/8" REV. SPEED CONTROL DRILL**

REVISED BUL.  
54-06-2302

DATE  
March '73

**Catalog No. 0222-1**

Starting  
Serial No. **430-59805**

WIRING INSTRUCTIONS  
**58-01-0650**

Specify Catalog and Serial No. when ordering parts

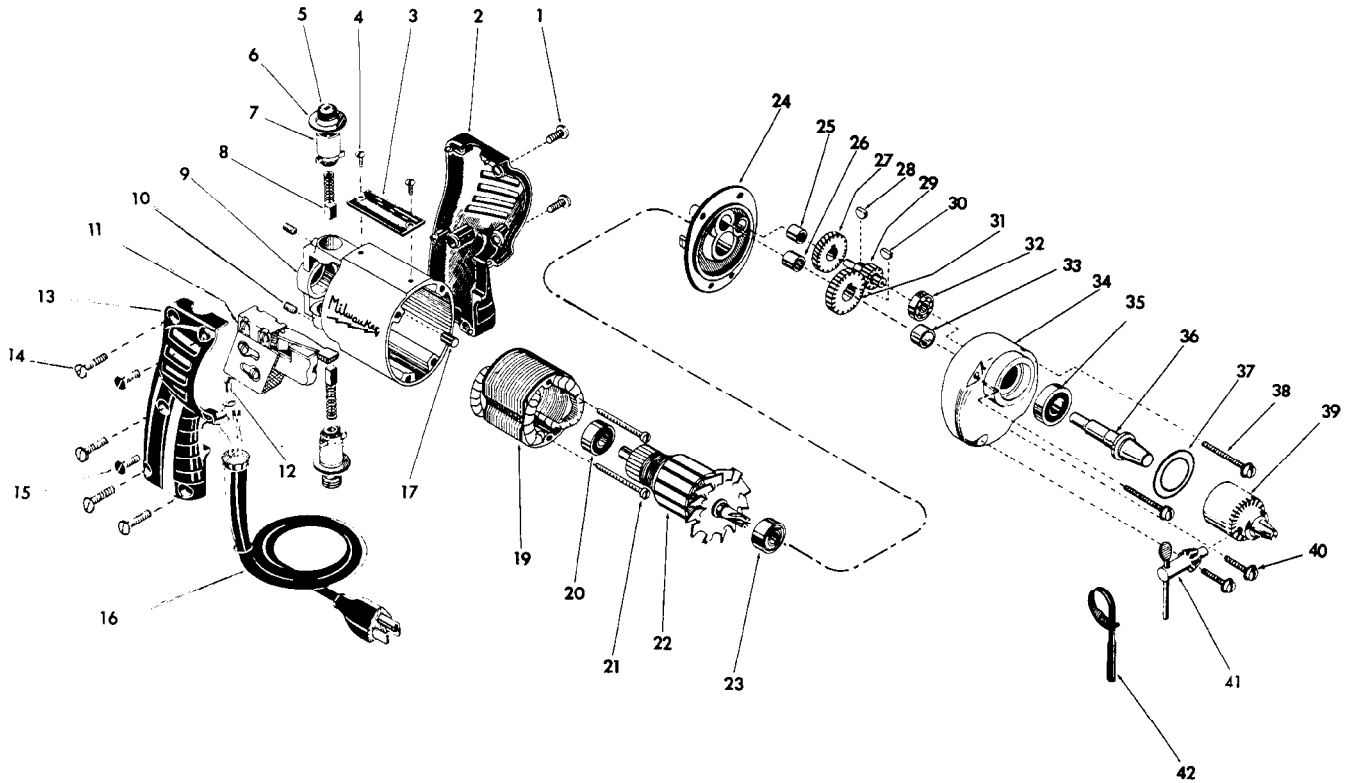


FIG.	PART NO.	DESCRIPTION OF PART	NO.REQ.	FIG.	PART NO.	DESCRIPTION OF PART	NO.REQ.
1	06-81-0450	8-32x3/8 Pan Hd. Handle Mtg.Scr.	(2)	22	16-22-1241	Armature Assy.	
2	31-44-0261	L.H. Handle Half		23	02-04-0740	Ball Bearing	
3	12-99-0020	Name Plate		24	28-28-0221	Diaphragm	
4	06-85-0200	Name Plate Screw	(2)	25	02-50-1210	Needle Bearing	
5	23-44-0020	Brush Retaining Cap	(2)	26	02-50-1640	Needle Bearing	
6	23-86-0070	Insulating Washer	(2)	27	32-40-1121	Intermediate Gear	
7	22-22-0251	Brush Holder Assy.	(2)	28	06-42-0400	Woodruff Key	
8	22-18-0360	Carbon Brush Assy.	(2)	29	36-66-1551	Intermediate Pinion Shaft	
9	28-50-6091	Motor Housing (Incl. item 17)		30	06-42-0400	Woodruff Key	
10	06-83-2430	10-32x1/4 Soc. Hd. Set Scr.	(2)	31	32-75-2721	Spindle Gear	
11	23-66-0790	Rev. Speed Control Switch		32	02-04-0640	Ball Bearing	
12	06-81-8625	Ground Screw		33	45-36-0651	Spindle Spacer	
13	31-44-0250	R.H. Handle Half		34	28-14-0363	Gear Case Assy.	
14	06-81-0400	8-32x3/4 Pan Hd. Handle Mtg.Scr.	(4)	35	02-04-1020	Ball Bearing	
15	06-81-0450	8-32x3/8 Pan Hd. Handle Mtg.Scr.	(2)	36	38-50-5051	Spindle	
16	22-64-0450	Cord Set		37	34-80-1400	Retaining Ring	
17	45-30-0120	Ball Bearing Ret. Slug		38	06-81-6550	8-32x1 1/2 Fil.Hd. Sems Gear Case Scrs. (2)	
18	06-97-1700	Switch Lock Washer (not shown)	(6)	39	48-66-0240	Chuck	
19	18-22-1121	Field		40	06-81-6300	8-32x7/8 Fil.Hd. Sems Gear Case Scrs.(2)	
20	02-04-0740	Ball Bearing		41	48-66-3080	Chuck Key	
21	06-81-5950	6-32x1-7/8 Fil.Hd. Field Screws	(2)	42	48-66-4040	Key Holder	