



# SERVICE PARTS LIST

**BUL. 54-06-2302**

**3/8" REV. SPEED CONTROL DRILL**

REVISED BUL 54-06-2301	DATE Oct. '72
---------------------------	------------------

**Catalog No. 0222-1**

Starting  
Serial No. **430-44235**

WIRING INSTR.  
**58-01-0645**

Both Model and Serial No. must be furnished to obtain correct parts.

0-1000 R.P.M.

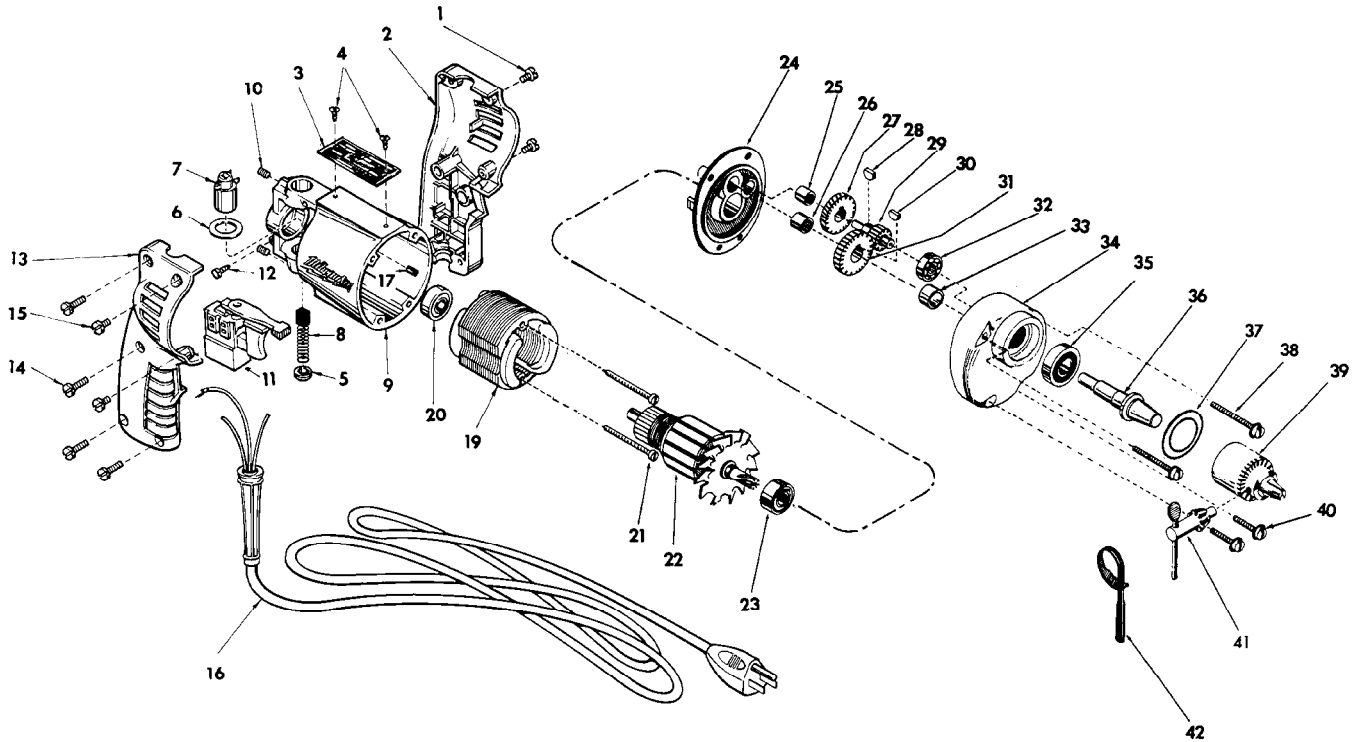


FIG.	PART NO.	DESCRIPTION OF PART	NO.REQ.
1	06-81-0450	8-32x3/8 Pan Hd. Handle Mtg.Scr.	(2)
★ 2	31-44-0290	L.H. Handle Half	
3	12-99-0020	Name Plate	
4	06-85-0200	Name Plate Screw	(2)
5	23-44-0020	Brush Retaining Cap	(2)
★ 6	23-86-0105	Insulating Washer	(2)
7	22-22-0251	Brush Holder Assy.	(2)
8	22-18-0360	Carbon Brush Assy.	(2)
9	28-50-6091	Motor Housing (Incl. item 17)	
10	06-83-2430	10-32x1/4 Soc. Hd. Set Scr.	(2)
★ 11	23-66-0792	Rev. Speed Control Switch	
12	06-81-8625	Ground Screw	
★ 13	31-44-0280	R.H. Handle Half	
14	06-81-0400	8-32x3/4 Pan Hd. Handle Mtg.Scr.	(4)
15	06-81-0450	8-32x3/8 Pan Hd. Handle Mtg.Scr.	(2)
★ 16	22-64-0665	Cord Set	
17	45-30-0120	Ball Bearing Ret. Slug	
19	18-22-1121	Field	
20	02-04-0740	Ball Bearing	
21	06-81-5950	6-32x1-7/8 Fil.Hd. Field Screws	(2)

FIG.	PART NO.	DESCRIPTION OF PART	NO.REQ.
22	16-22-1241	Armature Assy.	
23	02-04-0740	Ball Bearing	
24	28-28-0221	Diaphragm	
25	02-50-1210	Needle Bearing	
26	02-50-1640	Needle Bearing	
27	32-40-1121	Intermediate Gear	
28	06-42-0400	Woodruff Key	
29	36-66-1551	Intermediate Pinion Shaft	
30	06-42-0400	Woodruff Key	
31	32-75-2721	Spindle Gear	
32	02-04-0640	Ball Bearing	
33	45-36-0651	Spindle Spacer	
34	28-14-0363	Gear Case Assy.	
35	02-04-1020	Ball Bearing	
36	38-50-5051	Spindle	
37	34-80-1400	Retaining Ring	
★ 38	06-81-6575	8-32 x 1-5/8 Fil.Hd. Sems	(2)
39	48-66-0240	Chuck	
★ 40	06-81-6350	8-32 x 1 Fil.HD. Sems	(2)
41	48-66-3080	Chuck Key	
42	48-66-4040	Key Holder	