



# SERVICE PARTS LIST

**BULLETIN NO.  
54-06-0790**

SPECIFY CATALOG NO. AND SERIAL NO. WHEN ORDERING PARTS		REVISED BULLETIN	DATE
<b>3/8" CORDLESS VARIABLE SPEED DRIVER/DRILL</b>			Dec.'87
CATALOG NO. 0214-1	DATE CODE 85301	WIRING INSTRUCTION 58-01-0972	

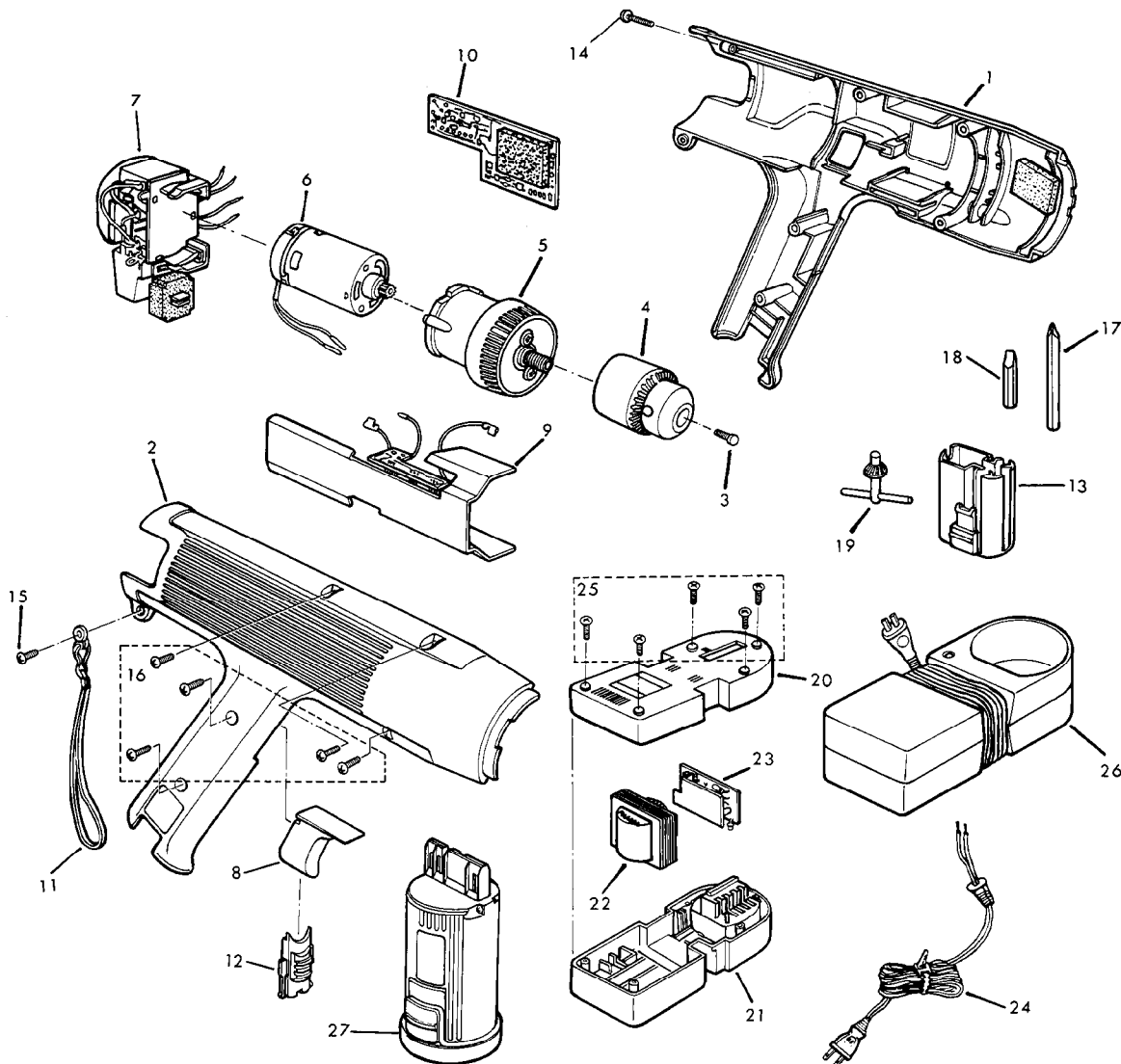


FIG.	PART NO.	DESCRIPTION OF PART	NO. REQ.
1	31-50-0550	Left Housing	(1)
2	31-50-0560	Right Housing	(1)
3	45-04-0690	Chuck Screw	(1)
4	48-66-0817	Chuck With Chuck Key	(1)
5	32-48-0050	Gear Assembly	(1)
6	14-50-0450	Motor Assembly	(1)
7	23-66-1416	Switch & Circuit Board Assy. (Incl. Fig. No. 10)	(1)
8	45-72-0150	Trigger	(1)
9	22-09-0310	Circuit Board	(1)
10		Circuit Board	(1)
11	45-56-0190	Carrying Strap	(1)
12	42-42-0280	Switch Lock	(1)
13	42-54-0150	Bit Case	(1)
14	05-81-0315	Screw 20mm x 3mm Phillips	(1)
15	05-81-0300	Screw 8mm x 3mm Phillips	(1)
16	05-81-0330	Screw 20mm x 3mm Phillips	(5)
17	48-32-1060	Phillips Bit 90mm Length	(1)
18	48-32-0420	Slot Bit 45mm Length	(1)

FIG.	PART NO.	DESCRIPTION OF PART	NO. REQ.
19	48-66-3350	Chuck Key	(1)
20	31-15-0380	Bottom Housing	(1)
21	31-15-0370	Top Housing	(1)
22		Transformer	(1)
23		Circuit Board	(1)
24	22-64-0025	Cord Set	(1)
25	45-04-0700	Screw	(5)
26	48-59-0200	Battery Charger	(1)
27	48-11-0120	7.2 Volt Battery Pack	(1)

**MILWAUKEE ELECTRIC TOOL CORPORATION**  
13135 W. LISBON RD., BROOKFIELD, WI 53005