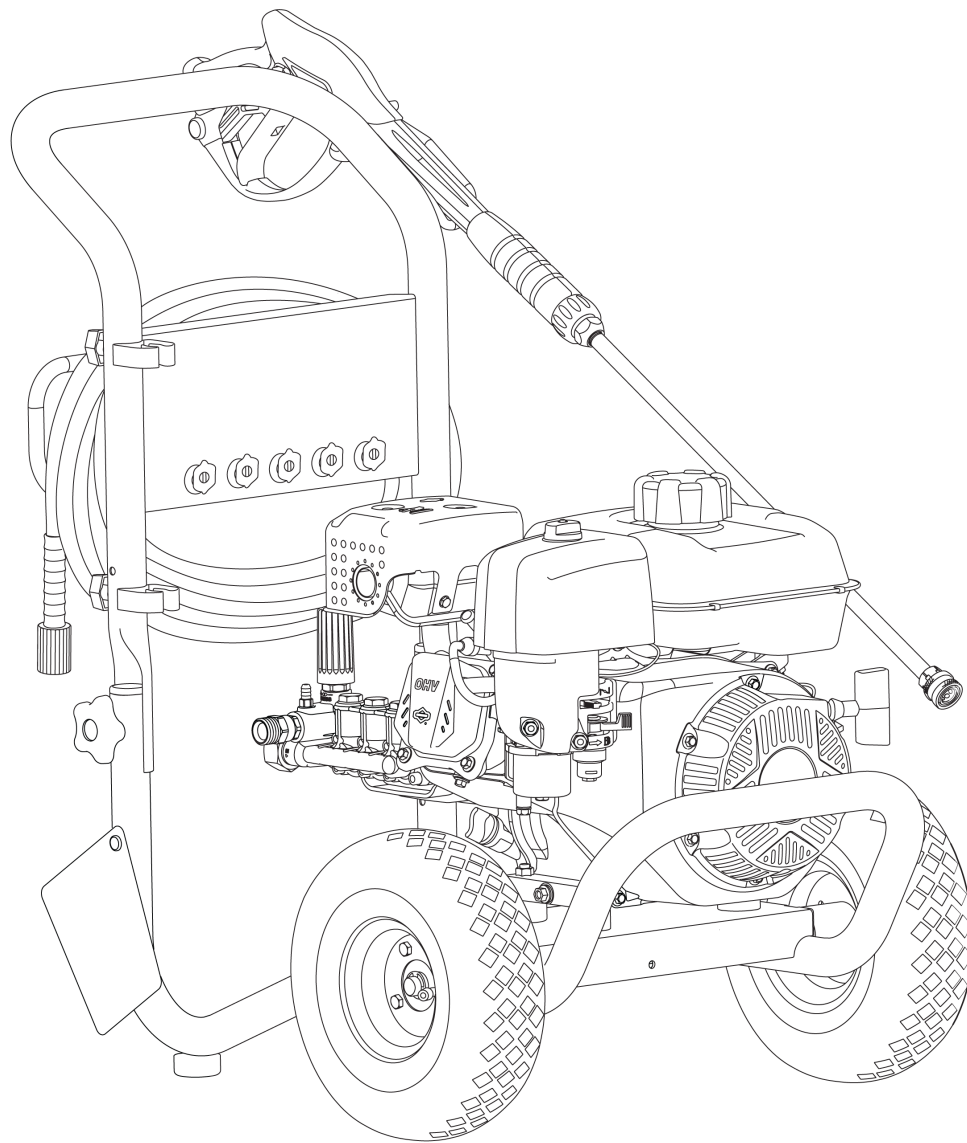




Parts Manual

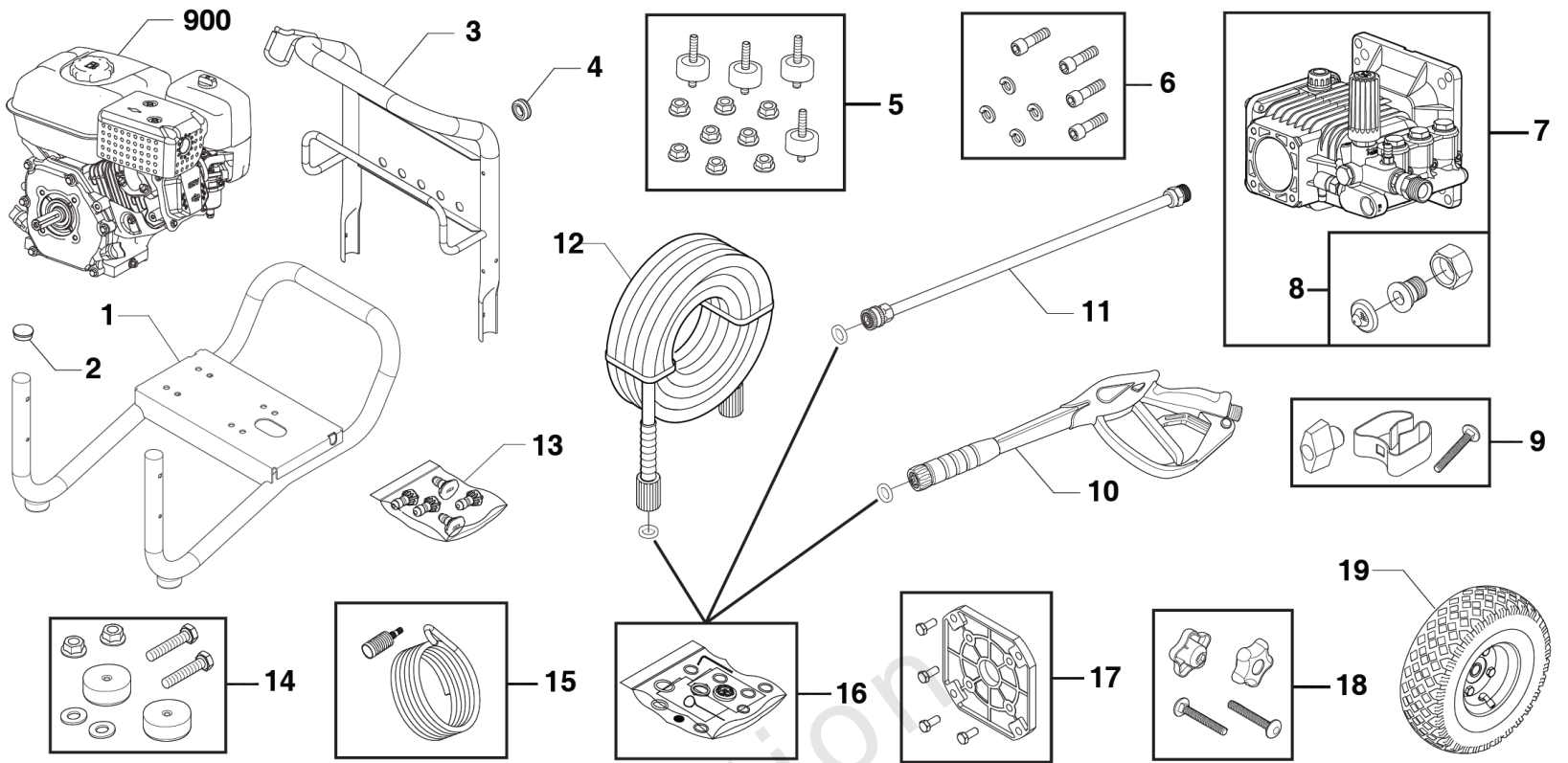
Mfg. No: 020725-00
3,300 PSI Briggs & Stratton Elite



Main Unit (80028466)

Note: Unless noted otherwise, use the standard torque specifications

Mfg. No: 020725-00



Not For
Reproduction

Main Unit (80028466)

| REF NO | PART NO | QTY | DESCRIPTION |
|--------|----------------|-----|--|
| 1 | 771923 | | BASE |
| 2 | 189332GS | | PLUG, Hole |
| 3 | 771931 | | HANDLE |
| 4 | 30809GS | | GROMMET |
| 5 | 192134GS | | KIT, Vibration Mount |
| 6 | 709492 | | KIT-HARDWARE PUMP MOUNTING |
| 7 | 771795 | | PUMP |
| 8 | 199310GS | | KIT, Connector, Hose, Garden |
| 9 | 709493 | | KIT-CLIP |
| 10 | 704312 | | GUN |
| 11 | 706595 | | EXTENSION, QC |
| 12 | 771932 | | HOSE |
| 13 | 771928 | | KIT-QC NOZZLES |
| -- | 195983AAGS | | NOZZLE, QC, Red |
| -- | 195983ABGS | | Nozzle, QC, Yellow |
| -- | 195983ACGS | | NOZZLE, QC Green |
| -- | 195983AMGS | | NOZZLE, QC, White |
| -- | 198841GS | | NOZZLE, QC, Black |
| 14 | 192310GS | | KIT, Vibration Mount |
| 15 | 192796GS | | KIT, Chem Hose & Filter |
| 16 | 705001 | | KIT-O-RING MAINTENANCE |
| 17 | 771797 | | KIT - ENGINE FLANGE |
| 18 | 771929 | | KIT-HARDWARE, HANDLE |
| 19 | 209885GS | | WHEEL |
| 900 | 13R232-0003-F1 | | *ENGINE |
| -- | 191267ABGS | | AXLE -(Not Illustrated) |
| -- | 23139DGS | | KEY -(Not Illustrated) |
| -- | 771922 | | DECAL-UNIT -(Not Illustrated) |
| -- | 100005 | | OIL-4 CYCLE 30W 18OZ. -(Not Illustrated) |
| -- | 703977 | | E-RING -(Not Illustrated) |
| -- | 705851 | | DECAL-Warning Spark -(Not Illustrated) |
| -- | 707165 | | TAG-WARNING, ENG -(Not Illustrated) |
| -- | 6039 | | PUMP Saver -(Optional Accessory) |
| -- | 6059 | | PERFECT MIX MULTI-PURPOSE WASH -(Optional Accessory) |
| -- | 6160 | | Project Pro® PerfectMix Concrete, Brick, And Tile Cleaner -(Optional Accessory) |

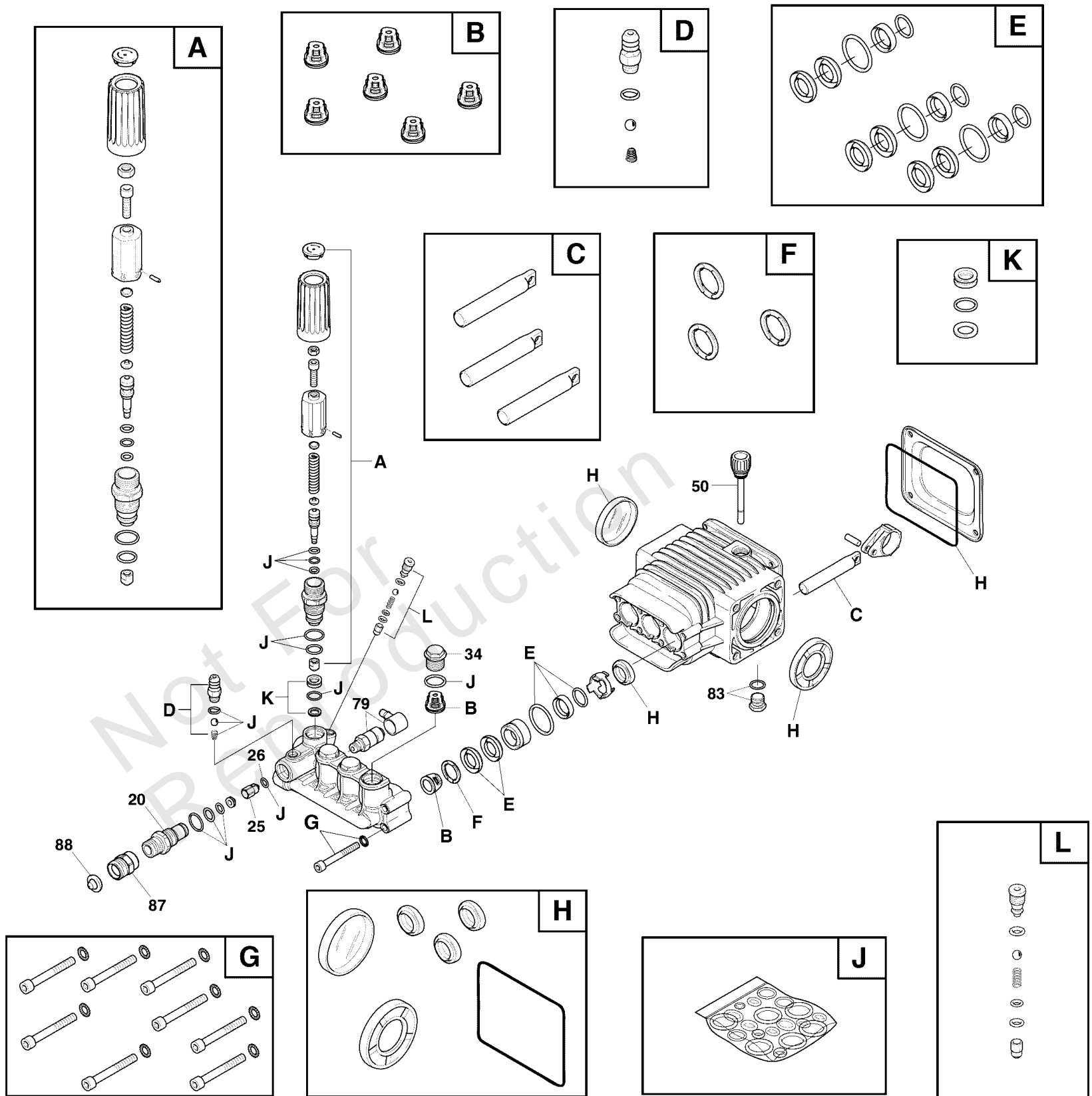
Footnotes:

(Note:* Verify your specific engine model, reference the ID Tag located on your engine.) (Refer to your local Briggs & Stratton distributor for parts and service.)
* Service Kit includes all service parts

Pump (80025170)

Note: Unless noted otherwise, use the standard torque specifications

Mfg. No: 020725-00



Pump (80025170)

| REF NO | PART NO | QTY | DESCRIPTION |
|--------|----------|-----|--|
| 20 | 198851GS | 1 | INJECTOR, Detergent 3/8NPT |
| 25 | 204860GS | 1 | JET |
| 26 | 204859GS | 1 | O-RING |
| 34 | 317334GS | 1 | PLUG |
| 50 | 198849GS | 1 | CAP, Oil Dispstick |
| 79 | 208673GS | 1 | VALVE, Thermal Relief |
| 83 | 203034GS | 1 | Kit, Drain Plug |
| 87 | 771695 | 1 | ADAPTER |
| 88 | B2384GS | 1 | FILTER, Garden Hose |
| A | 198736GS | 1 | * KIT, Unloader -(Service kit includes all parts shown within the box.) |
| B | 705928 | 1 | *KIT, Valves -(Service kit includes all parts shown within the box.) |
| C | 198844GS | 1 | * KIT, Piston -(Service kit includes all parts shown within the box.) |
| D | 192914GS | 1 | * KIT, Chemical Injection -(Service kit includes all parts shown within the box.) |
| E | 198845GS | 1 | * KIT, Water Seals -(Service kit includes all parts shown within the box.) |
| F | 198848GS | 1 | * KIT, Support Ring -(Service kit includes all parts shown within the box.) |
| G | 198852GS | 1 | KIT, Hardware, Pump Head -(Service kit includes all parts shown within the box.) |
| H | 198846GS | 1 | * KIT, Oil Seals -(Service kit includes all parts shown within the box.) |
| J | 198847GS | 1 | * KIT, O-Ring Maintenance -(Service kit includes all parts shown within the box.) |
| K | 202902GS | 1 | * KIT, Unloader Seat -(Service kit includes all parts shown within the box.) |
| L | 202800GS | 1 | * KIT, Unloader -(Service kit includes all parts shown within the box.) |
| -- | 6039 | | PUMP Saver -(Optional Accessories Not Illustrated) |
| -- | 6059 | | PERFECT MIX MULTI-PURPOSE WASH -(Optional Accessories Not Illustrated) |
| -- | 6160 | | Project Pro® PerfectMix Concrete, Brick, And Tile Cleaner -(Optional Accessories Not Illustrated) |

