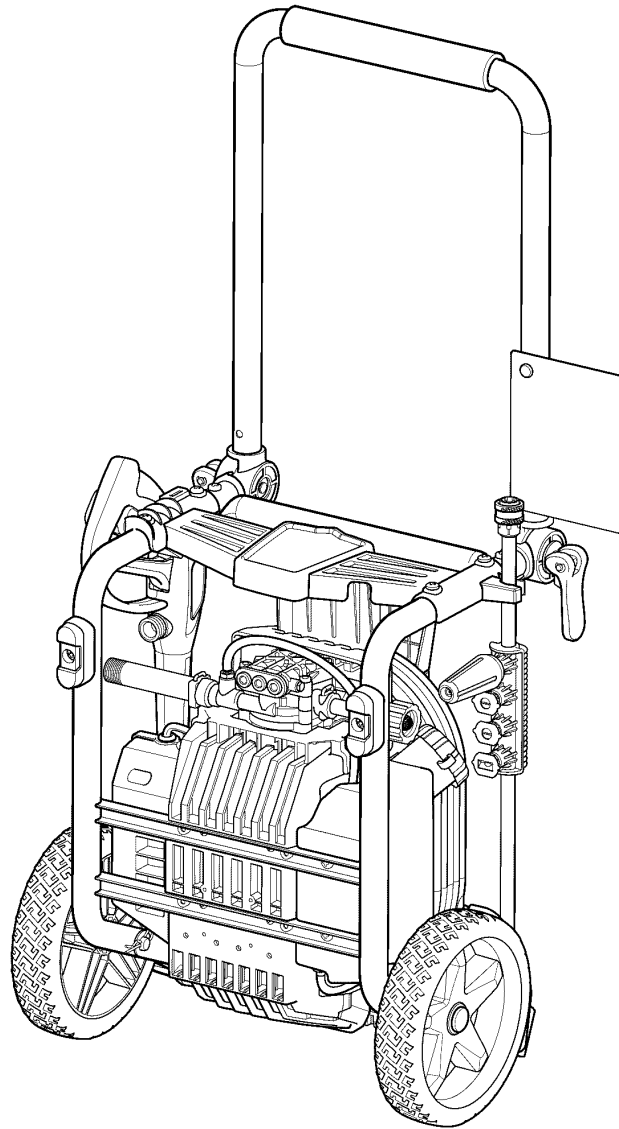




# Parts Manual

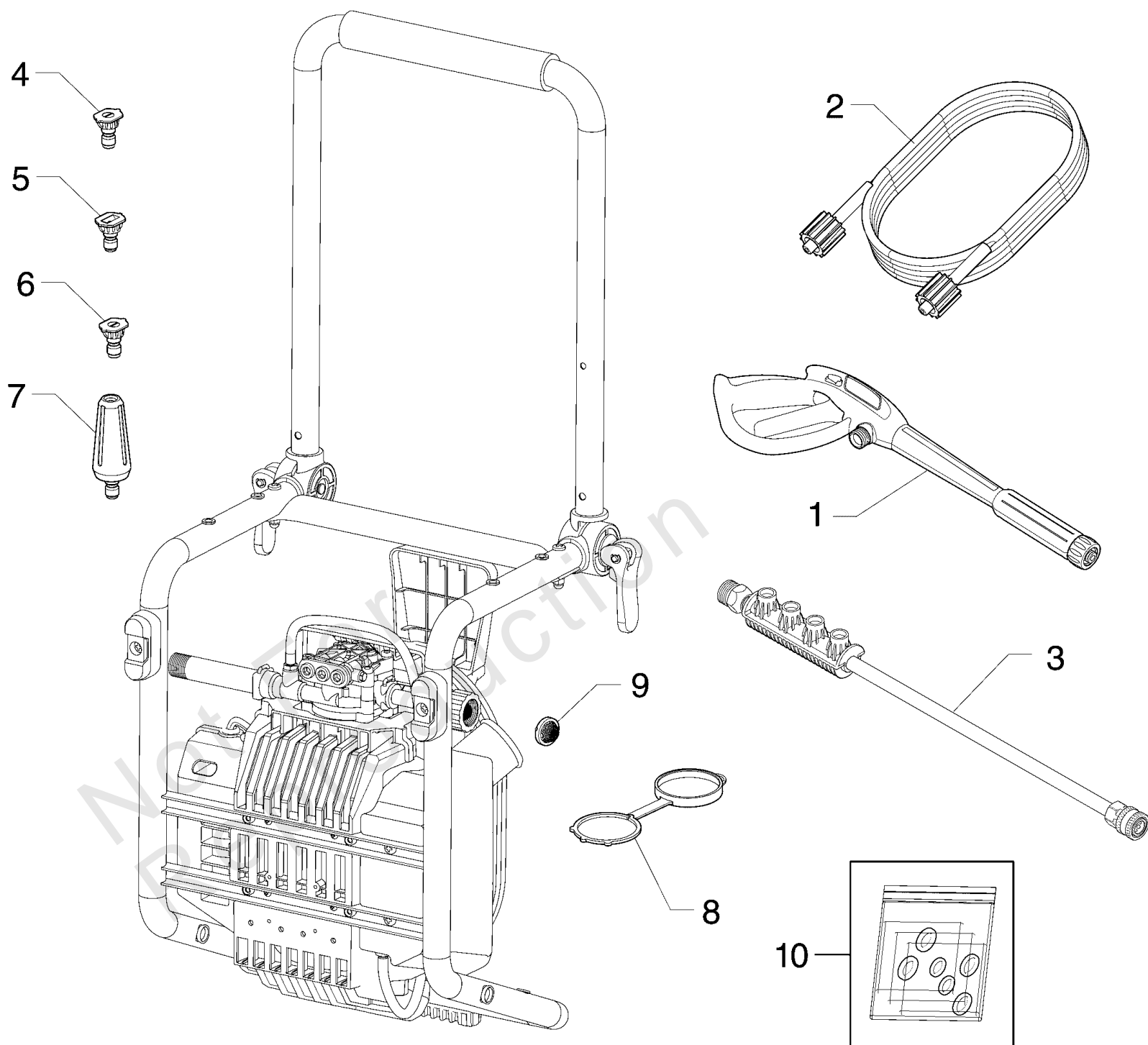
Mfg. No: 020681-00  
2,000 PSI Briggs & Stratton



# Main Unit (80023396)

Note: Unless noted otherwise, use the standard torque specifications

Mfg. No: 020681-00



## Main Unit (80023396)

| REF NO | PART NO  | QTY | DESCRIPTION  |
|--------|----------|-----|--|
| 1      | 708807   |     | GUN  |
| 2      | 706828   |     | HOSE   |
| 3      | 707008   |     | WAND   |
| 4      | 706874   |     | QUICK CONNECT-15   |
| 5      | 706823   |     | QUICK CONNECT-SOAP   |
| 6      | 700283   |     | QUICK CONNECT-25   |
| 7      | 706584   |     | NOZZLE-TURBO   |
| 8      | 706583   |     | CAP  |
| 9      | 706821   |     | FILTER-GARDEN HOSE   |
| 10     | 705001   |     | KIT-O-RING MAINTENANCE   |
| --     | 771686   |     | TAG-WARNING<br>-(Not Illustrated)  |
| --     | 316391GS |     | DECAL-TANK WARNING<br>-(Not Illustrated)   |
| --     | 707211   |     | DECAL-CORD WARNING<br>-(Not Illustrated)   |
| --     | 6039     |     | PUMP Saver<br>-(Optional Accessory)  |
| --     | 6059     |     | PERFECT MIX MULTI-PURPOSE WASH<br>-(Optional Accessory)                            |
| --     | 6160     |     | Project Pro® PerfectMix Concrete, Brick, And Tile Cleaner<br>-(Optional Accessory) |

