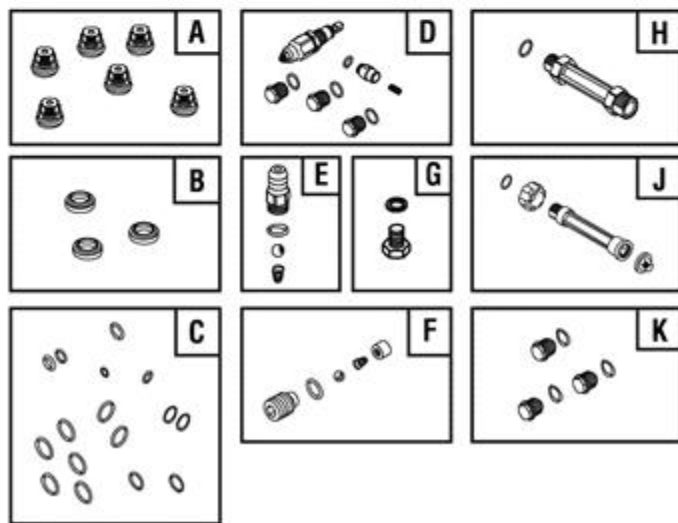
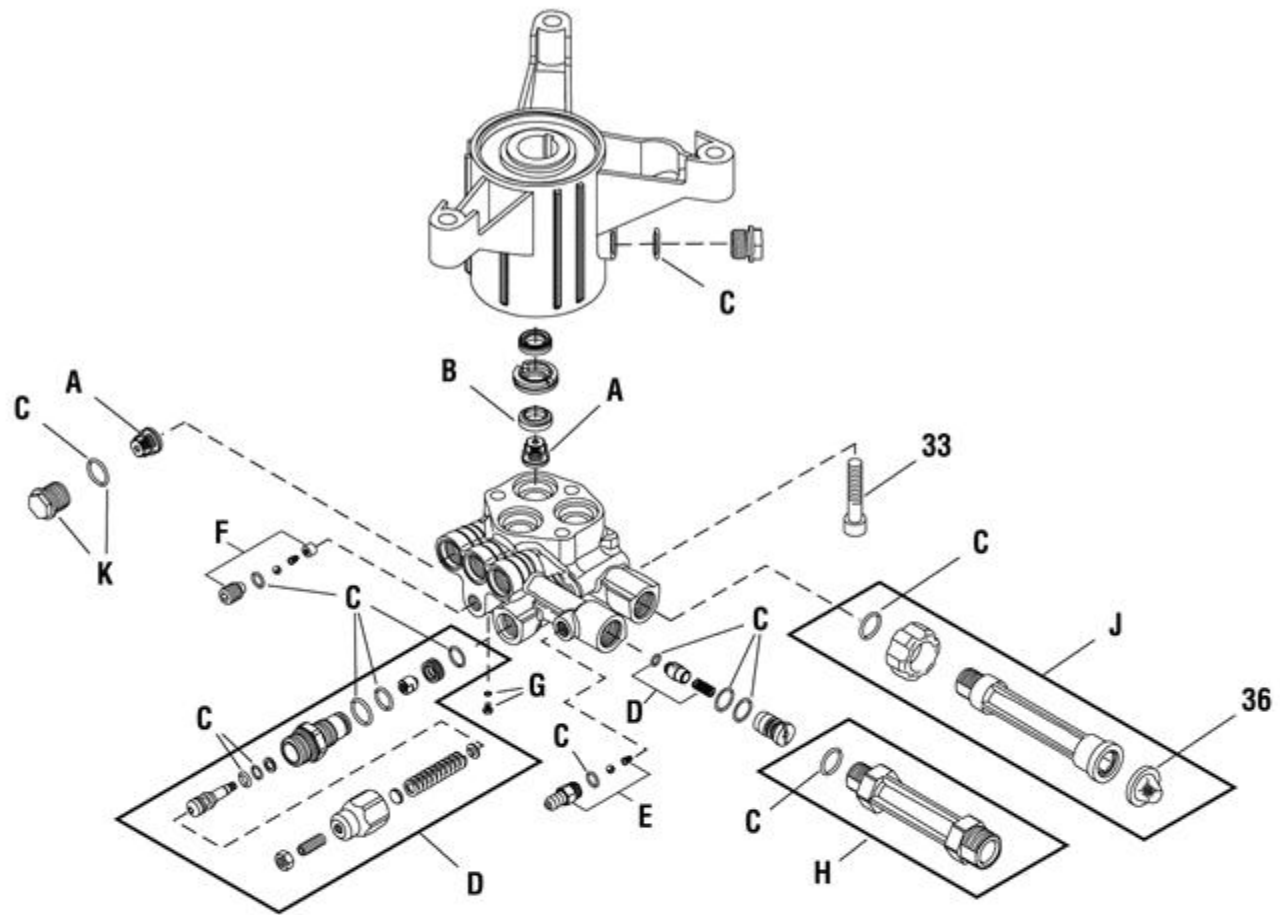


Ref #	Part #	Description	Qty	Context Note	Foot Note
1	209570GS	BASE			
2	J199110GS	HANDLE			
3	209569GS	ASSEMBLY, Billboard w/Decal & CLIPS			
--	195964GS	CLIPS, Tree			
4	203526GS	KIT, Pump Mounting Hardware			
5	202274GS	PUMP			
13	B2203GS	KIT, Handle Connector			
14	204971GS	KIT, NOZZLES			
--	198841GS	NOZZLE, Plastic, Soap			
--	195983AEGS	NOZZLE, QC, Red			
--	195983RGS	NOZZLE, QC, White			
--	195983XGS	NOZZLE, QC, Yellow			
15	192310GS	KIT, Vibration Mount			
16	204627GS	GUN			
17	200595GS	WAND, QC			
18	196138GS	HOSE			
19	209568GS	KIT, Wheel			
--	205413GS	AXLE			
--	200520GS	HUBCAP			
--	192050GS	E-RING			
900	-----	* ENGINE			* Contact Engine Manufacturer for Parts & Service.
--	209149GS	MANUAL, Operator's		(Not Illustrated)	
--	794693	DECAL, Warning		(Not Illustrated)	
--	794706	COVER, Static/Label Assy		(Not Illustrated)	
--	BB3061BGS	OIL BOTTLE		(Not Illustrated)	
--	194256GS	KIT, Tag Warning, Service		(Not Illustrated)	
--	6048	PUMP SAVER		(Optional Accessory)	
--	6039	KIT, O-Ring Maintainence		(Optional Accessory)	



Ref #	Part #	Description	Qty	Context Note	Foot Note
33	200275GS	SCREW			
36	B2384GS	FILTER-GARDEN HOSE			
A	200344GS	* KIT-CHECK VALVE			* Service Kit includes all parts shown in box.
B	200345GS	* KIT-WATER SEAL			* Service Kit includes all parts shown in box.
C	200346GS	* KIT-O-RING			* Service Kit includes all parts shown in box.
D	315747GS	* KIT-UNLOADER			* Service Kit includes all parts shown in box.
E	192914GS	* KIT-CHEMICAL INJECTION			* Service Kit includes all parts shown in box.
F	200349GS	* KIT-EASY START			* Service Kit includes all parts shown in box.
G	200350GS	* SCREW-GRUB			* Service Kit includes all parts shown in box.
H	201497GS	* FITTING			* Service Kit includes all parts shown in box.
J	201496GS	* KIT-WATER INLET			* Service Kit includes all parts shown in box.
K	317056GS	* KIT-PLUG			* Service Kit includes all parts shown in box.
--	208673GS	VALVE-THERMO RELIEF		(Not Illustrated)	
--	6039	PUMP SAVER		(Optional Accessory)	
--	6033	OIL BOTTLE		(Optional Accessory)	