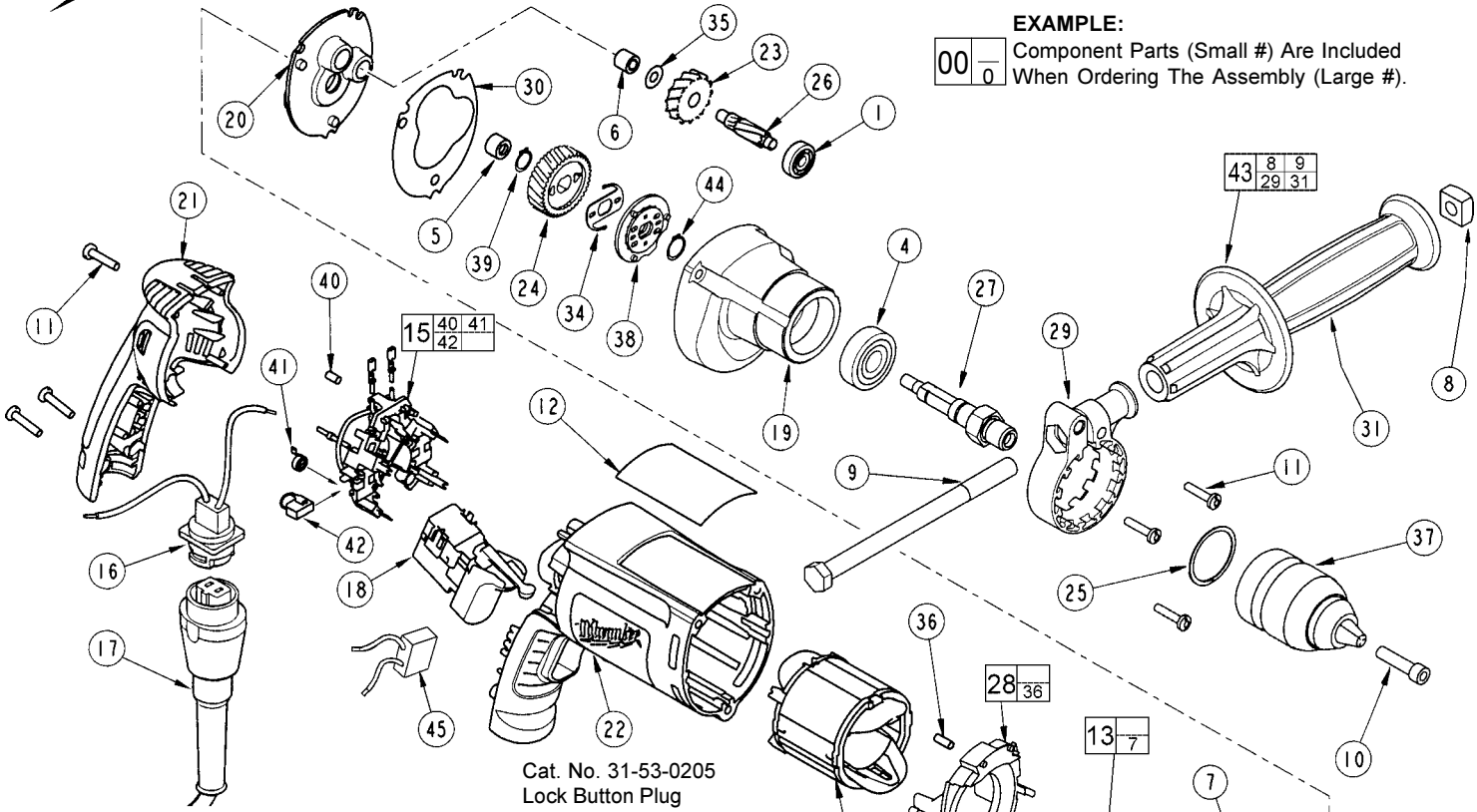




# SERVICE PARTS LIST

**BULLETIN NO.**  
**55-06-2900**

SPECIFY CATALOG NO. AND SERIAL NO. WHEN ORDERING PARTS		REVISED BULLETIN	DATE
<b>10mm DRILL with SPINDLE LOCK</b>			Mar. 2002
CATALOG NO. <b>0202-50</b>	STARTING SERIAL NO. <b>069A</b>	WIRING INSTRUCTION <b>58-03-1805</b>	



**EXAMPLE:**  

00	0
----	---

 Component Parts (Small #) Are Included When Ordering The Assembly (Large #).

Cat. No. 31-53-0205  
Lock Button Plug

FIG.	PART NO.	DESCRIPTION OF PART	NO. REQ.
1	02-04-0640	Ball Bearing	(1)
2	02-04-0645	Ball Bearing	(1)
3	02-04-0852	Ball Bearing	(1)
4	02-04-1229	Ball Bearing	(1)
5	02-50-1611	Needle Bearing	(1)
6	02-50-2400	Needle Bearing	(1)
7	22-84-0845	Fan	(1)
8	06-54-0325	3/8-16 Square Nut	(1)
9	06-75-2850	3/8-16 x 5-1/2 Hex Cap Screw	(1)
10	06-81-2925	1/4-20 x 1-1/8 L.H. Flat Hd. Screw	(1)
11	06-82-7275	7-18 x 3/4 Slotted Plastite T-20	(6)
12	12-99-2685	Service Nameplate	(1)
13	16-14-2215	Armature	(1)
14	18-04-2200	Field	(1)
15	22-18-1220	Brush Card Assembly	(1)
16	22-56-1015	Blade Housing Assembly	(1)
17	48-76-5012	Quik-Lok Cord Set	(1)
17	22-64-0684	Quik-Lok Cord Set (Australia)	(1)
18	23-66-2135	Switch	(1)
19	28-14-2390	Gearcase	(1)
20	28-28-2320	Diaphragm	(1)
21	31-15-2030	Handle Halve	(1)
22	31-50-2030	Motor Housing	(1)
23	32-40-0100	Intermediate Gear	(1)
24	32-75-0106	Spindle Gear	(1)
25	34-80-2300	Retaining Ring	(1)
26	36-66-0110	Intermediate Shaft	(1)
27	38-50-5752	Spindle	(1)
28	42-14-0460	Baffle Assembly	(1)
29	42-68-0800	Side Handle Clamp	(1)
30	43-44-0985	Gasket	(1)
31	43-62-0845	Side Handle	(1)
34	40-50-8525	Click Spring	(1)
35	45-88-7990	Thrust Washer	(1)
36	45-30-0030	Slug	(2)
37	48-66-1520	3/8 Single Sleeve Keyless Chuck	(1)

FIG.	PART NO.	DESCRIPTION OF PART	NO. REQ.
38	14-29-0040	Spindle Lock Assembly	(1)
39	34-60-0810	External Retaining Ring	(1)
40	45-30-0035	Slug	(1)
41	23-52-1610	Brush Spring	(2)
42	22-18-1320	Brush Assembly	(2)
43	49-15-0265	Side Handle Assembly	(1)
44	34-60-0900	External Retaining Ring	(1)
45	22-33-0550	Suppressor	(1)

**FIG. LUBRICATION:**  
 19 Place .11 oz. (3.1 grams) of type "Y" grease, No. 49-08-5270, on top of the inserted intermediate ball bearing. After inserting pinion assembly, place .52 oz. (14.7 grams) of grease at the armature pinion location in the gearcase pocket and push down .20".

Before assembly, lightly coat all press fit areas with type "Y" grease.

**FIG. NOTES:**  
 4,24 Support the output ball bearing inside the gearcase before pressing off the spindle gear.

5,6 Needle bearings to be pressed flush to .010 under flush from the end which has the vendors identification.