



# SERVICE PARTS LIST

**BUL. 54-06-1601**

**5/16" PISTOL DRILL**

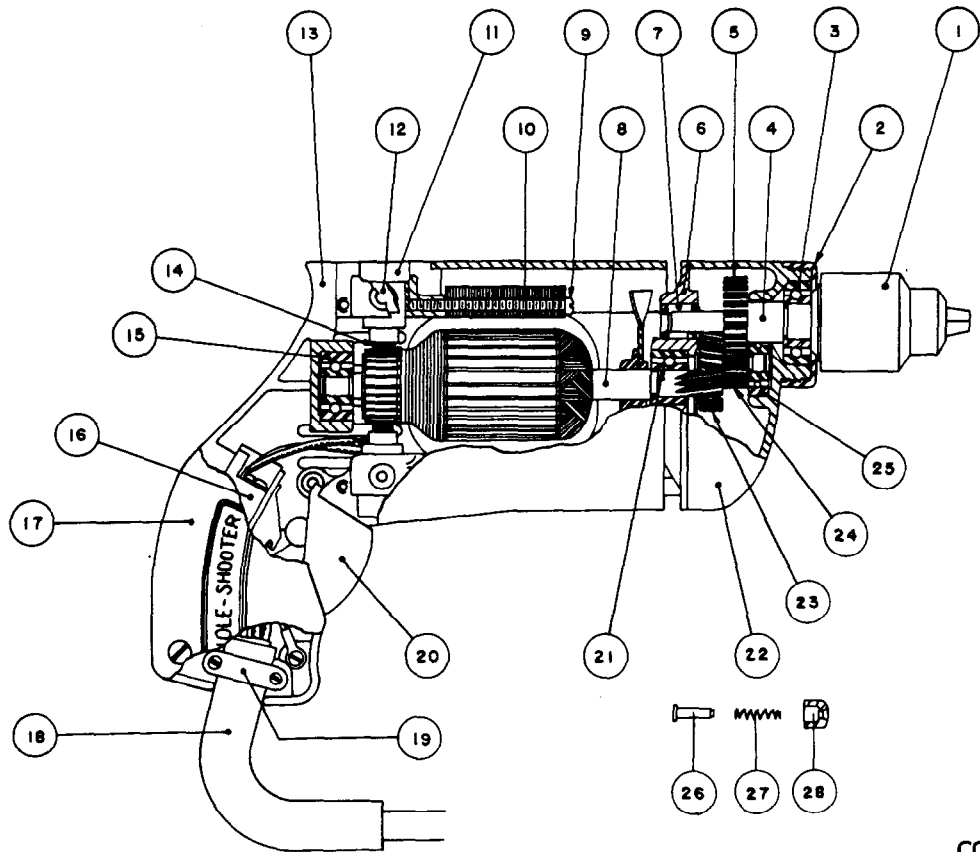
REVISED BUL 689-2      DATE FEB. '68

**Catalog No. 0200**

Starting Serial No. **89-1180**

WIRING INSTR.

Both Model and Serial No. must be furnished to obtain correct parts



**CORRECTS AND SUPERCEDES:**  
SERVICE BULLETIN 689-2  
DATED 10-8-58

FIG. PART NO. DESCRIPTION OF PART		ILLUSTRATED PARTS		MISCELLANEOUS PARTS NOT SHOWN		
1	48-66-0500	Chuck	15	02-04-0740	Ball Bearing	
2	42-52-0060	Bearing Cap	16	23-66-0280	Switch	
3	02-04-1020	Ball Bearing	17	28-20-3001	Handle Cover	
4	38-50-1051	Spindle	18	22-64-0170	Cord Set	
5	32-75-1361	Spindle Gear	19	28-17-0400	Cord Clamp	
6	28-28-0221	Diaphragm	20	28-92-0101	Switch Trigger	
7	02-50-1640	Needle Bearing	21	02-04-0740	Ball Bearing (Pinion End)	
8	16-22-1110	Armature Assembly	22	28-14-0361	Gear Case	
9	06-81-5950	6-32x1-7/8" Fil. Hd. Field Screws	(2)	23	32-40-1121	Intermediate Gear
10	18-22-1040	Field Assembly	24	36-66-1551	Intermediate Pinion Shaft	
11	22-22-0050	Brush Holder Assembly	25	02-04-0640	Ball Bearing	
12	23-44-0020	Brush Retaining Cap	(2)	26	44-70-0071	Trigger Lock Shaft
13	28-50-4441	Motor Housing	(2)	27	40-50-1200	Trigger Lock Spring
14	22-18-0090	Carbon Brush Assemblies	(2)	28	42-42-0061	Trigger Lock Button
15	02-04-0740	Ball Bearing		06-81-6150	8-32x1/2" Fil.Hd.Cord Clamp Scs. Sems	(2)
16	23-66-0280	Switch		06-81-8625	6-32x1/4" (Brass) Rd.Hd.Ground Screw Sems	(1)
17	28-20-3001	Handle Cover		06-81-6550	8-32x1-1/2" Fil.Hd.Gear Case Scs. Sem	(2)
18	22-64-0170	Cord Set		06-81-6300	8-32x7/8" Fil.Hd.Gear Case Screws Sem	(2)
19	28-17-0400	Cord Clamp		12-98-0600	Name Plate	
20	28-92-0101	Switch Trigger		48-66-3240	Chuck Key	(1)
21	02-04-0740	Ball Bearing (Pinion End)		06-42-0800	Woodruff Key	(1)
22	28-14-0361	Gear Case				
23	32-40-1121	Intermediate Gear				
24	36-66-1551	Intermediate Pinion Shaft				
25	02-04-0640	Ball Bearing				
26	44-70-0071	Trigger Lock Shaft				
27	40-50-1200	Trigger Lock Spring				
28	42-42-0061	Trigger Lock Button				

Numbers in brackets indicate number required.