



SERVICE PARTS LIST

BUL. 54-06-1501

1/4" PISTOL DRILL

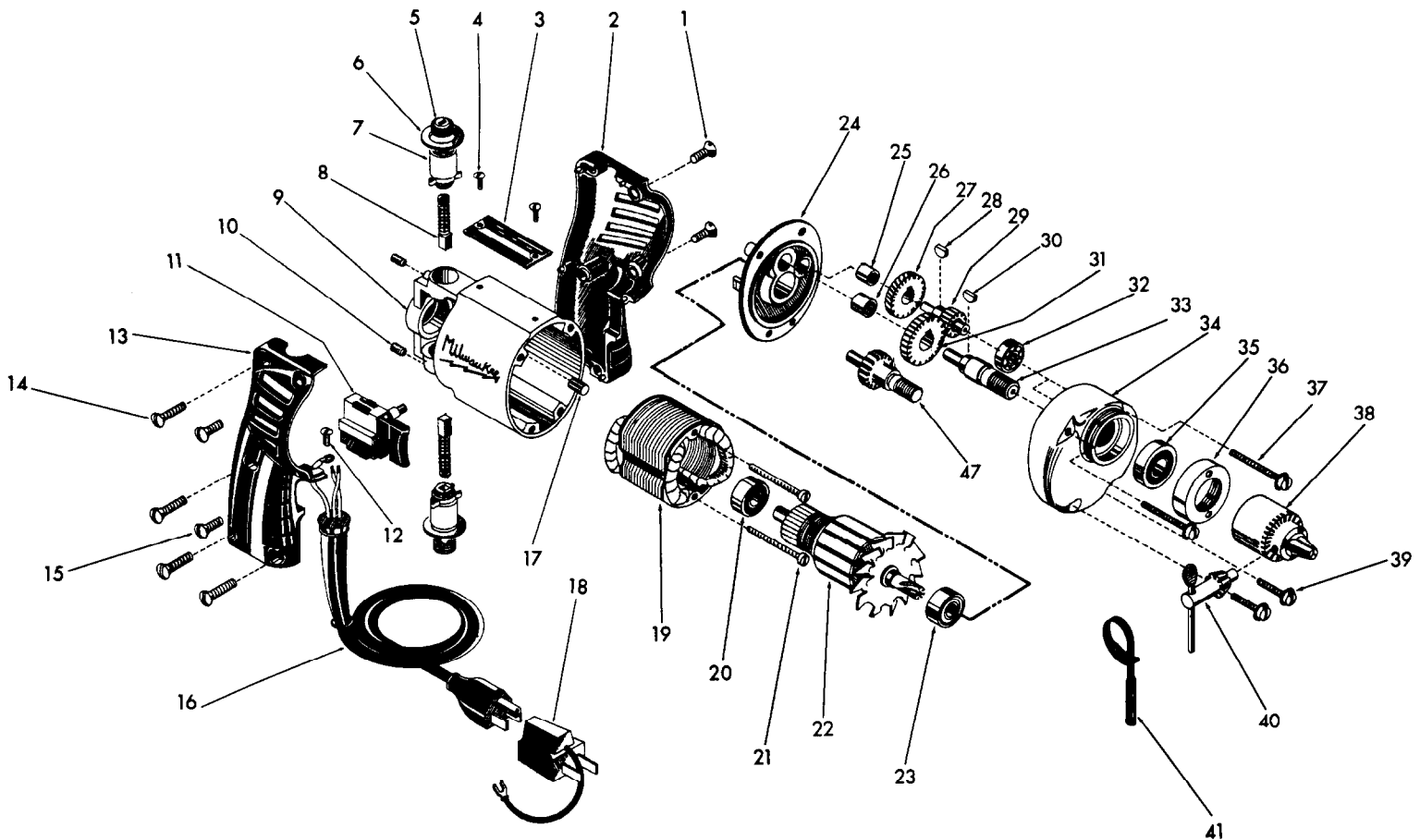
REVISED BUL 6394-2 DATE Feb. '68

Catalog No. 0191

Starting Serial No. **394-1126**

WIRING INSTR. **58-01-0050**

Both Model and Serial No. must be furnished to obtain correct parts.



ILLUSTRATED PARTS

FIG.	PART NO.	DESCRIPTION OF PART	NO. REQ.	FIG.	PART NO.	DESCRIPTION OF PART	NO. REQ.
1	06-81-3600	8-32x3/8 Oval Hd. Handle Mtg. Scr. (2)	(2)	22	16-22-1231	Armature Assy.	
2	31-44-0111	L.H. Handle Half		23	02-04-0880	Ball Bearing	
3	12-98-0600	Name Plate		24	28-28-0221	Diaphragm	
4	06-81-4300	3-48x3/16 Rd.Hd. Name Plate Scr. (2)	(2)	25	02-50-1210	Needle Bearing	
5	23-44-0020	Brush Retaining Cap	(2)	26	02-50-1640	Needle Bearing	
6	23-86-0070	Insulating Washer	(2)	27	32-40-1041	Intermediate Gear	
7	22-22-0251	Brush Holder Assy.	(2)	28	06-42-0400	Woodruff Key	
8	22-18-0360	Carbon Brush Assy.	(2)	29	36-66-3701	Intermediate Pinion Shaft	
★ 9	28-50-6091	Motor Housing (Incl. item 17)		30	06-42-0800	Woodruff Key	
10	06-83-0100	10-32x1/4 Hd'less Slotted Br.Hd. Scr. (2)	(2)	31	32-75-2381	Spindle Gear	
11	23-66-0510	Switch		32	02-04-0640	Ball Bearing	
12	06-81-8625	6-32x1/4 (Bronze) Rd. Hd. Ground Screw		33	38-50-1051	Spindle	
13	31-44-0100	R. H. Handle Half		34	28-14-0361	Gear Case	
14	06-81-3650	8-32x3/4 Oval Hd. Handle Mtg. Scr. (4)	(4)	35	02-04-1020	Ball Bearing	
15	06-81-3600	8-32x3/8 Oval Hd. Handle Mtg. Scr. (2)	(2)	36	42-52-0060	Bearing Cap	
16	22-64-0450	Cord Set		37	06-81-6550	8-32x1 1/2 Fil.Hd. Sems Gear Case Scr. (2)	(2)
17	45-30-0120	Ball Bearing Ret. Slug		38	48-66-0260	Chuck	
18	48-03-0010	Attachment Plug Adaptor		39	06-81-6300	8-32x7/8 Fil.Hd. Sems Gear Case Scr. (2)	(2)
★ 19	18-22-1121	Field		40	48-66-3200	Chuck Key	
20	02-04-0740	Ball Bearing		41	48-66-4080	Key Holder	
21	06-81-5950	6-32x1-7/8 Fil. Hd. Field Screws (2)	(2)				