



SERVICE PARTS LIST

BUL. 54-06-1500

1/4" PISTOL DRILL

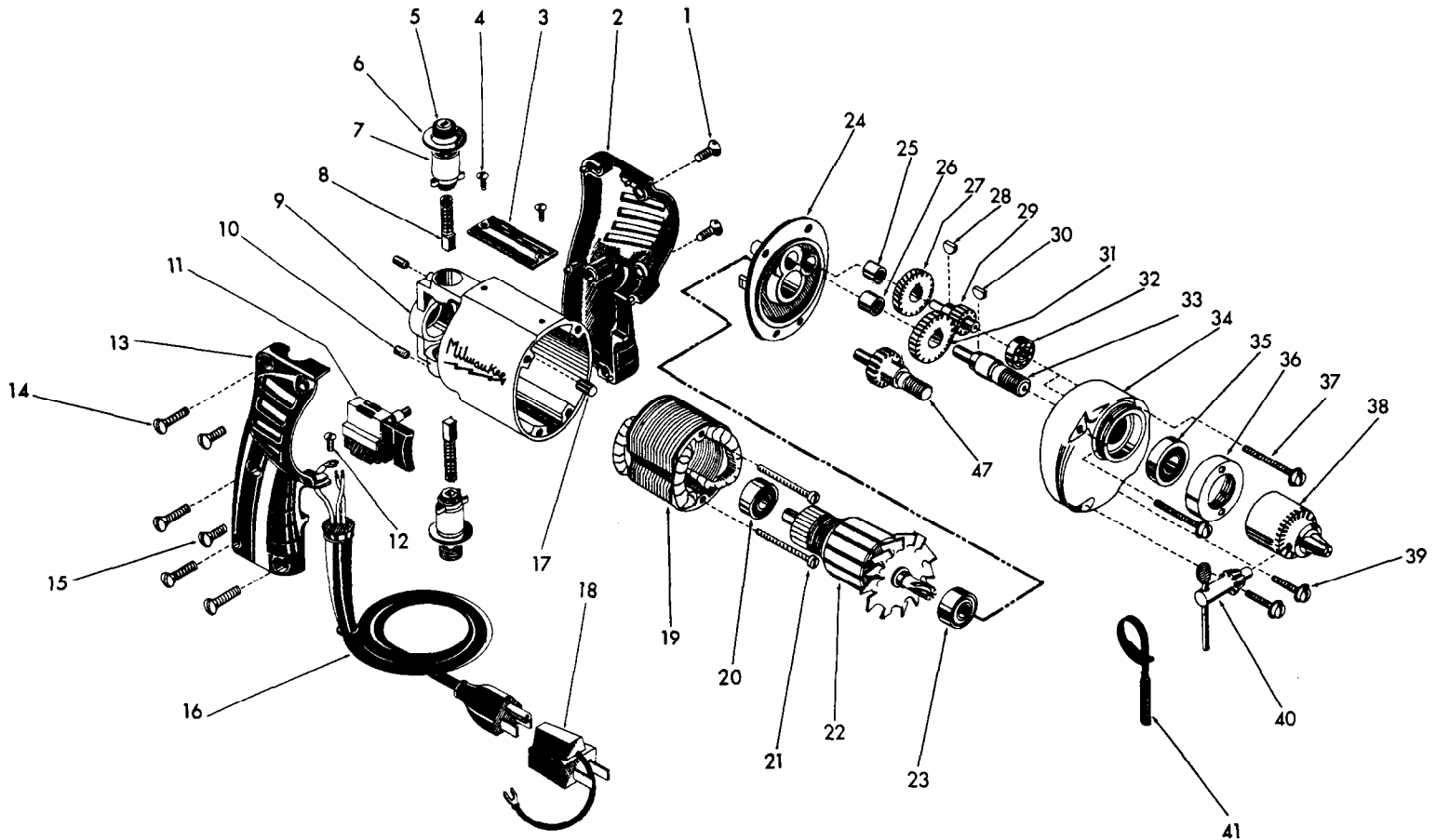
REVISED BUL 6394-1 DATE FEB. '68

Catalog No. 0191

Starting Serial No. 394-1001

WIRING INSTR.

Both Model and Serial No. must be furnished to obtain correct parts.



ILLUSTRATED PARTS

FIG.	PART NO.	DESCRIPTION OF PART	NO.REQ.	FIG.	PART NO.	DESCRIPTION OF PART	NO.REQ.
1	06-81-3600	8-32x3/8 Oval Hd. Handle Mtg. Scrs. (2)		22	16-22-1120	Armature Assy.	
2	31-44-0111	L.H. Handle Half		23	02-04-0880	Ball Bearing	
3	12-98-0600	Name Plate		24	28-28-0221	Diaphragm	
4	06-81-4300	3-48x3/16 Rd.Hd. Name Plate Scrs. (2)		25	02-50-1210	Needle Bearing	
5	23-44-0020	Brush Retaining Cap	(2)	26	02-50-1640	Needle Bearing	
6	23-86-0070	Insulating Washer	(2)	27	32-40-1041	Intermediate Gear	
7	22-22-0251	Brush Holder Assy.	(2)	28	06-42-0400	Woodruff Key	
8	22-18-0360	Carbon Brush Assy.	(2)	29	36-66-3701	Intermediate Pinion Shaft	
9	28-50-6091	Motor Housing		30	06-42-0800	Woodruff Key	
10	06-83-0100	10-32x1/4 Hd'less Slotted Br.Hd.Scrcs. (2)		31	32-75-2381	Spindle Gear	
11	23-66-0510	Switch		32	02-04-0640	Ball Bearing	
12	06-81-8625	6-32x1/4 (Bronze) Rd. Hd. Ground Screw		33	38-50-1051	Spindle	
13	31-44-0100	R. H. Handle Half		34	28-14-0361	Gear Case	
14	06-81-3650	8-32x1/4 Oval Hd. Handle Mtg. Scrs. (4)		35	02-04-1020	Ball Bearing	
15	06-81-3600	8-32x3/8 Oval Hd. Handle Mtg. Scrs. (2)		36	42-52-0060	Bearing Cap	
16	22-64-0450	Cord Set		37	06-81-6550	8-32x1 1/2 Fil.Hd. Sems Gear Case Scrs. (2)	
17	45-30-0120	Ball Bearing Ret. Slug		38	48-66-0260	Chuck	
18	48-03-0010	Attachment Plug Adaptor		39	06-81-6300	8-32x7/8 Fil.Hd. Sems Gear Case Scrs. (2)	
19	18-22-1030	Field		40	48-66-3200	Chuck Key	
20	02-04-0740	Ball Bearing		41	48-66-4080	Key Holder	
21	06-81-5950	6-32x1-7/8 Fil. Hd. Field Screws (2)					