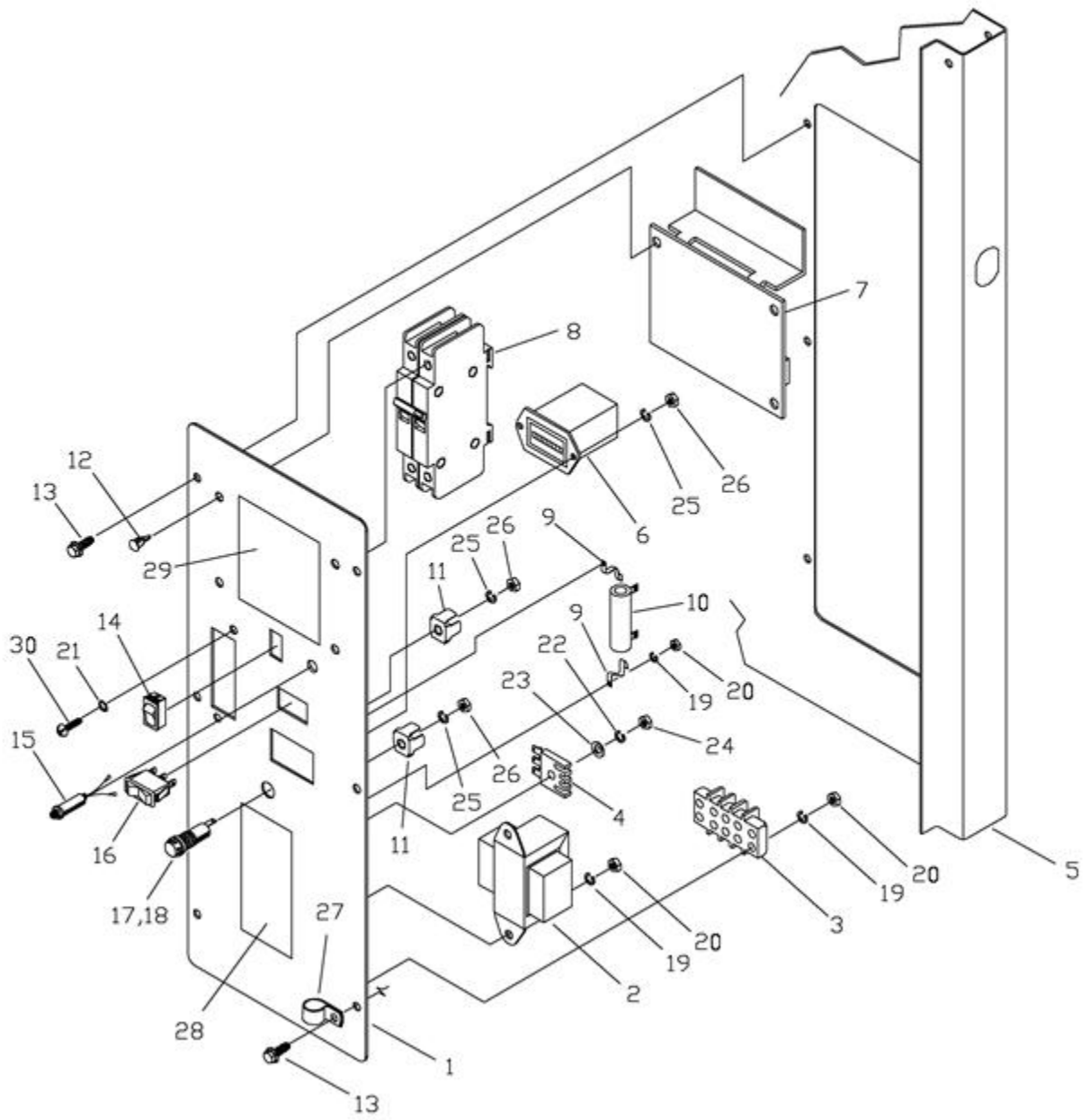
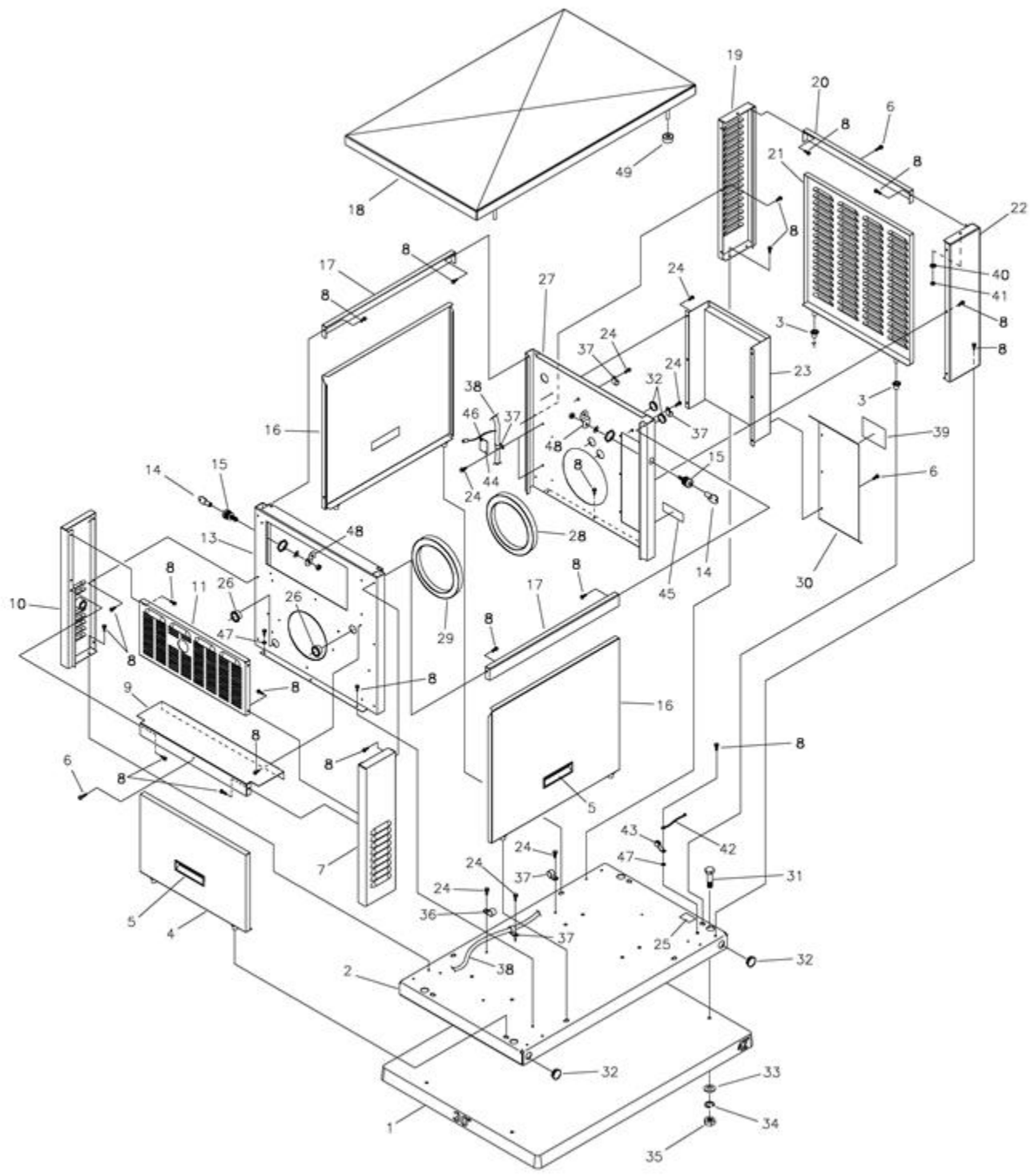


Ref #	Part #	Description	Qty	Context Note	Foot Note
1	192970GS	ADAPTER, Engine			
2	192973GS	GRID			
3	209142GS	BOLT			
4	31183GS	SCREW			
5	192969GS	STATOR			
6	192962GS	PLUG			
7	192966GS	COVER, Rear Bearing			
9	192967GS	COVER, Capacitor			
10	192968GS	BLOCK, Terminal			
11	-----	* WASHER, Flat, #10-M5			* Items without part numbers are common fasteners and are available at your local hardware store.
12	-----	* NUT, 10-32			* Items without part numbers are common fasteners and are available at your local hardware store.
13	312699GS	CAPACITOR			
14	-----	* SCREW, Phillips Head, 10-32 x 3/4			* Items without part numbers are common fasteners and are available at your local hardware store.
15	192972GS	DIODE			
16	192971GS	ROTOR			
17	-----	* SCREW, M8 x 1.25 x 35mm			* Items without part numbers are common fasteners and are available at your local hardware store.
18	-----	* WASHER, Shakeproof, EXT. M6-1/4			* Items without part numbers are common fasteners and are available at your local hardware store.
19	-----	* NUT, 1/4-20			* Items without part numbers are common fasteners and are available at your local hardware store.
20	206897GS	FAN			
21	206927GS	RING, Fixing			
22	206594GS	BEARING			

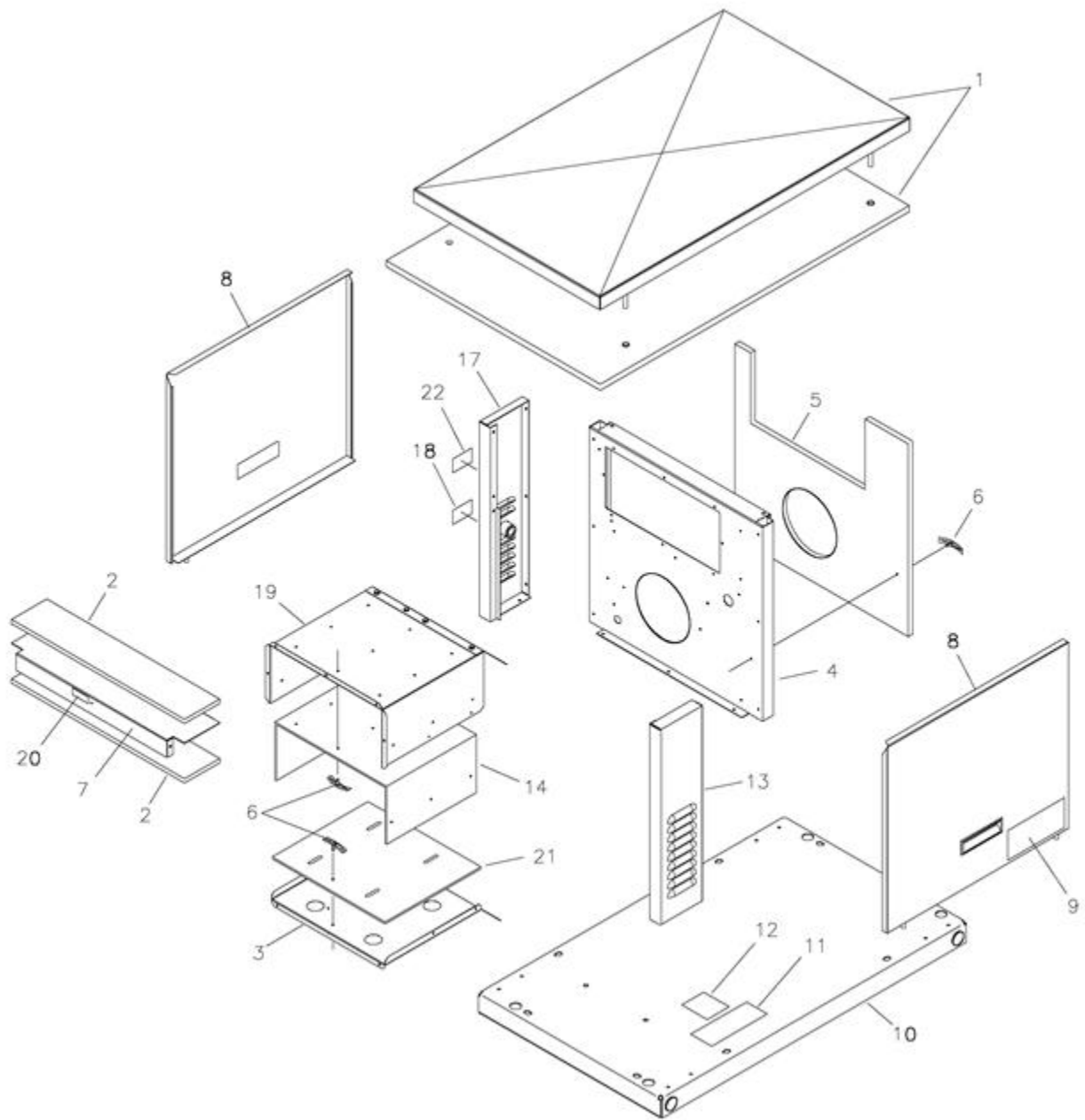


Ref #	Part #	Description	Qty	Context Note	Foot Note
1	190902GS	Control Panel, with Silk Screen			
2	192366GS	Transformer			
3	192320GS	Strip, Terminal			
4	65795GS	Rectifier, Battery Charge			
5	H185967GS	Bulkhead, Engine Side			
6	77604GS	Hour Meter			
7	191652GS	Control Board			
8	190818LGS	Circuit Breaker, 60 Amp			
9	B4893GS	Bracket, Resistor			
10	B4867GS	Resistor, 25W, .5 Ohm			
11	57345GS	Neutral, 4 Prong			
12	186413GS	Standoff, Control Board			
13	B4300GS	Bolt, Swage, 1/4"- 20			
14	87799GS	Switch, Set Exercise			
15	B5133GS	Diode, Light			
16	186443GS	Switch, Auto/Off/Manual			
17	191302GS	Holder, Fuse			
18	22676GS	Fuse, 15 Amp AGC			
19	-----	Lock Washer, M4		(Purchase locally)	
20	-----	Nut, M4 - 0.7		(Purchase locally)	
21	-----	Washer, Int. Shakeproof, #6		(Purchase locally)	
22	-----	Lock Washer, M5		(Purchase locally)	
23	-----	Flat Washer, M5		(Purchase locally)	
24	-----	Nut, M5 - 0.8		(Purchase locally)	
25	-----	Lock Washer, M3		(Purchase locally)	
26	-----	Nut, M3 - 0.5		(Purchase locally)	
27	187060GS	Clamp, Cable 3/4" I.D.			
28	186645GS	Decal, Caution Electrical Shock			
29	186648GS	Decal, Control Panel Fault Description			
30	36902	PPHMS, #6 - 32 x 1/2"		(Purchase locally)	
--	201057GS	Assy, Connector Service		Parts not Illustrated	

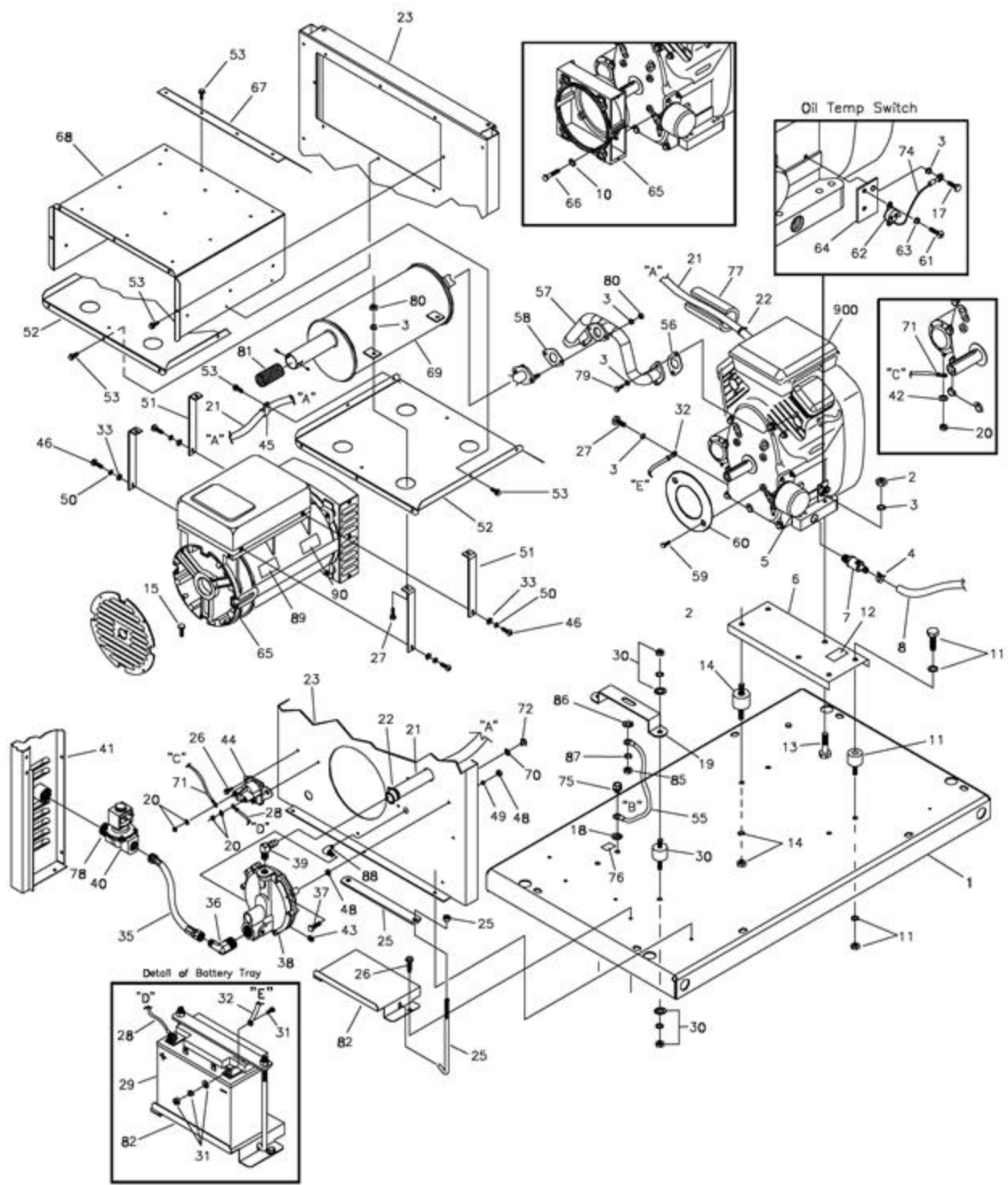


Ref #	Part #	Description	Qty	Context Note	Foot Note
1	186564GS	Pad, Foundation Base w/ Holes			
2	H185972GS	Base, Mounting			
3	186061GS	Bushing, Stem			
4	191410GS	Assy, Door, Alt., SRV		(Includes 2 of Item 3, 1 of Item 5)	
5	186049GS	Handle, Door, Recessed Pull			
6	189792GS	Pphms, #10-32 x 5/8"			
7	191408GS	Assy, Corner, RH, SRV		(Includes Insulation)	
8	B4300GS	Swag Bolt, 1/4" - 20			
9	H185968GS	Baffle, Horizontal, Alt. Side			
10	191409GS	Assy, Corner, LH, SRV		(Includes Insulation)	
11	H185965GS	Panel, Muffler Air Out			
13	H191972GS	Bulkhead, Alternator Side			
14	B5053GS	Key, Lock			
15	186172GS	Assy, Lock/Doors			
16	191406GS	Assy, Door, SRV		(Includes Insulation, 2 of Item 3, 1 of Item 5)	
17	H186046GS	Rail, Support Upper Front/Back			
18	H187234GS	Roof, with Insulation			
19	H185963GS	Corner, Engine Air Inlet Right			
20	H186047GS	Rail, Support Upper Engine Side			
21	H185969GS	Door, Engine Air Inlet			
22	H185964GS	Corner, Engine, Left Side			
23	H187235GS	Baffle, with Insulation			
24	74908GS	Taptite, M5			
25	B4986AGS	Decal, Ground			
26	186173GS	Bushing, Snap, 1" I.D.			
27	H185967GS	Bulkhead, Engine Side			
28	186065GS	Seal, Foam Engine Air Inlet			
29	191994GS	Seal, Foam Alternator Air Inlet			
30	H186760GS	Cover, Control Panel			
31	-----	HHCS, 3/8" - 16 x 1"		(Purchase locally)	
32	185976GS	Plug, Hole 1-1/8"			
33	-----	Flatwasher, 3/8"		(Purchase locally)	
34	-----	Lockwasher, 3/8"		(Purchase locally)	

Ref #	Part #	Description	Qty	Context Note	Foot Note
35	-----	Nut, 3/8"		(Purchase locally)	
36	187060GS	Clamp, 3/4" Nylon			
37	192767GS	Clamp, 1/4" Nylon			
38	192344GS	Wire Harness, Engine			
39	B5082AGS	Decal, Danger High Voltage			
40	-----	Flatwasher, M6		(Purchase locally)	
41	67885GS	Nut, Nylock M6 x 1.0			
42	186790AGS	Wire, Ground, To Control Panel			
43	186345GS	Lug, Ground			
44	186642GS	Decal, LP/Natural Gas			
45	192467GS	Decal, Terminal Strip			
46	-----	Tie Wrap, 4" Black			
47	-----	Washer, Ext. M6 - 1/4" Shakeproof		(Purchase locally)	
48	186174GS	Cambar, Lock			
49	194415GS	Rubber Washer			
	187008GS	Kit, Door Seal		Parts Not Shown	



Ref #	Part #	Description	Qty	Context Note	Foot Note
1	H187234GS	Roof, with Insulation			
2	186188GS	Insulation, Baffle Alt. Side			
3	H186030GS	Base, Muffler Box			
4	H191972GS	Bulkhead, Alternator Side			
5	191984GS	Insulation, Bulk Head Alt. End			
6	B4772GS	Clips, Dart			
7	H185968GS	Baffle, Horizontal, Alt. Side			
8	191406GS	Assy, Door, SRV		(Includes Insulation)	
9	190849GS	Decal, Unit			
10	H185972GS	Base, Mounting			
11	186641GS	Decal, Operation Instructions			
12	186646GS	Decal, Warning Engine Can Start			
13	191408GS	Assy, Corner, RH, SRV		(Includes Insulation)	
14	186351GS	Insulation, Muffler Box			
17	191409GS	Assy, Corner, LH, SRV		(Includes Insulation)	
18	186643GS	Decal, Fuel Inlet			
19	H186038GS	Box, Muffler			
20	77816AGS	Decal, Hot Muffler			
21	186352GS	Insulation, Muffler Base			
22	195642GS	Decal, Rainproof			



Ref #	Part #	Description	Qty	Context Note	Foot Note
1	H185972GS	Base, Mount			
2	-----	Nut, 5/16" - 18		(Purchase locally)	
3	-----	Lockwasher, 5/16" - M8		(Purchase locally)	
4	48031JGS	Clip, Hoseband			
5	492932S	Filter, Oil			
6	H186285GS	Pan, Engine Mounting			
7	186071GS	Valve, Oil Drain			
8	186430GS	Hose, Oil Drain			
10	-----	Lockwasher, 3/8"		(Purchase locally)	
11	194254GS	Kit, Vibration Mount			
12	186649GS	Decal, Oil Drain			
13	-----	HHCS, 5/16" - 18 x 1-3/4"		(Purchase locally)	
14	194259GS	Kit, Vibration Mount			
15	-----	HHCS, M10 - 1.5 x 30 Lg		(Purchase locally)	
17	-----	HHCS, M8 - 1.25 x 12		(Purchase locally)	
18	-----	Washer, 3/8 Ext., Shakeproof		(Purchase locally)	
19	H188046GS	Support, Alt.			
20	194251GS	Kit, Starter Contact Hardware			
21	186152GS	Hose, Gas Regulator to Engine			
22	57822GS	Clamp, Hose			
23	H191972GS	Bulkhead, Alternator Side			
25	194250GS	Kit, J-Bolt & Battery Strap			
26	B4300GS	Swage Bolt, 1/4" - 20 x 1/2"			
27	-----	HHCS, M8 1.25 x 16		(Purchase locally)	
28	188574GS	Cable, Battery Positive			
29	188443GS	Battery, 33AH, w/Hardware			
30	194253GS	Kit, Vibration Mount			
31	194252GS	Kit, Battery Hardware			
32	188573GS	Cable, Battery Negative			
33	-----	Washer, Flat, #10		(Purchase locally)	
35	186148GS	Hose, Gas - Regulator			
36	186151GS	Elbow, Brass, 3/4" NPT x 1/2" Gas			
37	-----	HHCS, M6 - 1.0 x 30		(Purchase locally)	
38	193291GS	Regulator, Gas Fuel			
39	186150GS	Elbow, Brass 3/8 NPT			
40	B4773GS	Solenoid, Gas Fuel			
41	191409GS	Assy, Corner, LH, SRV			
43	96137GS	Plug, 1/8" - 27			

Ref #	Part #	Description	Qty	Context Note	Foot Note
44	691656	Solenoid, Bracket			
45	192669GS	Clamp, Hose, "J"			
46	-----	HHCS, #10 - 32 x 3/4" Lg.		(Purchase locally)	
47	187049GS	Plug, Dome			
48	-----	Nut, M6 - 1.0		(Purchase locally)	
49	-----	Lockwasher, M6 - 1/4"		(Purchase locally)	
50	-----	Lock Washer, #10		(Purchase locally)	
51	H186125GS	Bracket, Muffler			
52	H186030GS	Base, Muffler Box			
53	56893GS	Crimptite, 10 - 24 x 1/2"			
54	A6344GS	Fitting, Barbed, 90°, 1/8" NPT			
55	186790DGS	Wire, Ground			
56	806425	Gasket, Manifold			
57	195143GS	Kit, Manifold With Gaskets			
58	186062GS	Gasket, Manifold, Muffler			
59	-----	HHCS, 5/16" x 3/4" Sems		(Purchase locally)	
60	B4260GS	Disk, Air Blocker			
61	-----	PPHMS, #4 - 40 x .019"		(Purchase locally)	
62	186205GS	Switch, Thermodisk Oil Temp.			
63	-----	Lockwasher, #4 Int. Tooth		(Purchase locally)	
64	186206GS	Plate, Oil Temp Switch			
65	NSP	Assy, Alternator		See Control Panel	
66	-----	HHCS, 3/8 - 16 x 1-1/4"		(Purchase locally)	
67	H186320GS	Deflector, 45° Muffler Box			
68	H186038GS	Box, Muffler			
69	192676GS	Muffler			
70	189295GS	Washer, .432 x 1 x .064			
71	185939CGS	Cable, Starter			
72	189294GS	E-Ring			
74	186790CGS	Wire, Ground			
75	59637GS	Taptite, 3/8" - 16 x 3/4"			
76	B4986AGS	Decal, Ground, Green			
77	186551GS	Insulation, Fuel Hose			
78	26915GS	Nipple, 3/4" NPT			
79	-----	SHCS, M8 - 1.25 x 20		(Purchase locally)	
80	-----	Nut, M8 - 1.25		(Purchase locally)	
81	187277GS	Screen, Spark Arrestor w/Screws			
82	H189951GS	Tray, Battery Support			
85	-----	Nut, M10 - 1.5		(Purchase locally)	

Ref #	Part #	Description	Qty	Context Note	Foot Note
86	-----	Washer, Shakeproof, M10		(Purchase locally)	
87	-----	Lockwasher, M10		(Purchase locally)	
88	A6344GS	Fitting, Barb, 90°			
89	186647GS	Decal, Warning Outdoor Use Only			
90	193506GS	Decal, Hot Surface			
900	-----	Engine		Contact Engine Manufacturer	
	275368	Manual, Engine		Parts Not Illustrated	
	191041GS	Kit, Led Remote		Parts Not Illustrated	
	B3518GS	Cap, Funnel, Oil Bottle		Parts Not Illustrated	
	192385GS	Manual, Install		Parts Not Illustrated	
	192384GS	Manual, Owners		Parts Not Illustrated	
	B5053GS	Assy, Key		Parts Not Illustrated	
	B5478GS	Paint, Touch-Up		Parts Not Illustrated	
	190824GS	Hose, Flex		Parts Not Illustrated	
	193873GS	Kit, Sound Shield		Parts Not Illustrated	
	195200GS	Decal, Attn Standby Equipment		Parts Not Illustrated	
	01915	Warmer, Battery, 240 Volt		Optional Accessories	
	01916	Warmer, Oil, 240 Volt		Optional Accessories	