



# SERVICE PARTS LIST

**BUL. 54-06-1302**

**1/4" PISTOL DRILL**

REVISED BUL  
54-06-1302

DATE  
Aug. '70

**Catalog No. 0181**

Starting  
Serial No. **393-1331**

WIRING INSTR.  
**58-01-0050**

**Both Model and Serial No. must be furnished to obtain correct parts.**

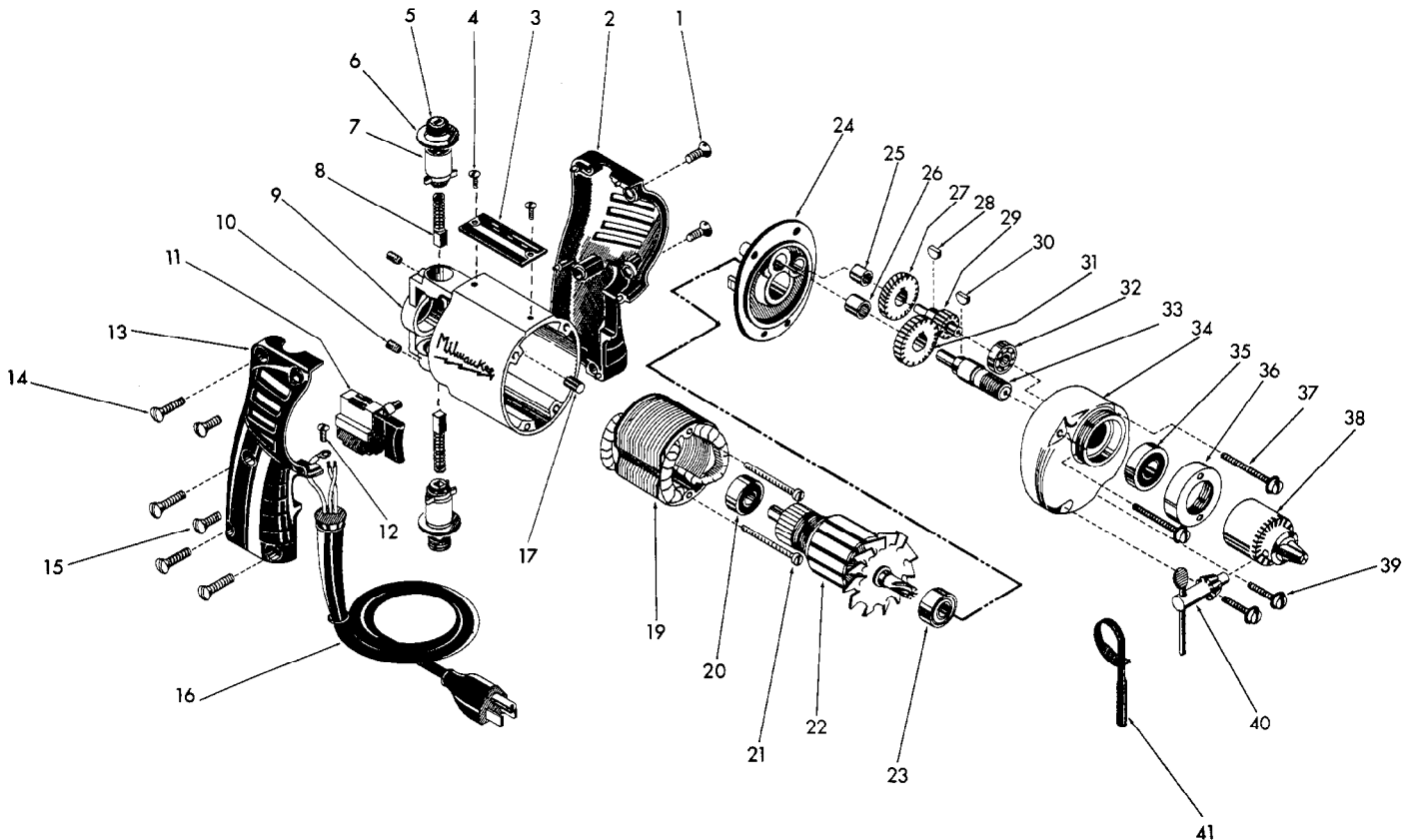


FIG.	PART NO.	DESCRIPTION OF PART	NO REQ	FIG.	PART NO.	DESCRIPTION OF PART	NO.REQ.
★ 1	06-81-0450	8-32x3/8 Pan Hd. Handle Mtg. Scr.	(2)	22	16-22-1231	Armature Assy.	
★ 2	31-44-0211	L.H. Handle Half		23	02-04-0880	Ball Bearing	
3	12-98-0600	Name Plate		24	28-28-0221	Diaphragm	
★ 4	06-85-0200	Name Plate Screw	(2)	25	02-50-1210	Needle Bearing	
5	23-44-0020	Brush Retaining Cap	(2)	26	02-50-1640	Needle Bearing	
6	23-86-0070	Insulating Washer	(2)	27	32-40-1041	Intermediate Gear	
7	22-22-0251	Brush Holder Assy. (Incl. item 6)	(2)	28	06-42-0400	Woodruff Key	
8	22-18-0360	Carbon Brush Assy.	(2)	29	36-66-1601	Intermediate Pinion Shaft	
9	28-50-6091	Motor Housing (Incl. item 17)		30	06-42-0800	Woodruff Key	
★ 10	06-83-2430	10-32x1/4 Skt. Hd. Set Screw	(2)	31	32-75-1461	Spindle Gear	
11	23-66-0510	Switch		32	02-04-0640	Ball Bearing	
12	06-81-8625	Ground Screw		33	38-50-1051	Spindle	
★ 13	31-44-0200	R. H. Handle Half		34	28-14-0361	Gear Case	
★ 14	06-81-0400	8-32x3/4 Pan Hd. Handle Mtg. Scr.	(4)	35	02-04-1020	Ball Bearing	
★ 15	06-81-0450	8-32x3/8 Pan Hd. Handle Mtg. Scr.	(2)	36	42-52-0060	Bearing Cap	
16	22-64-0450	Cord Set		37	06-81-6550	8-32x1 1/2 Fil. Hd. Sems Gear Case Scrs. (2)	
17	45-30-0120	Ball Bearing Ret. Slug		38	48-66-0260	Chuck	
19	18-22-1121	Field		39	06-81-6300	8-32x7/8 Fil. Hd. Sems Gear Case Scrs. (2)	
20	02-04-0740	Ball Bearing		40	48-66-3200	Chuck Key	
21	06-81-5950	6-32x1-7/8 Fil. Hd. Field Screws	(2)	41	48-66-4080	Key Holder	