



SERVICE PARTS LIST

BUL.54-06-1004

1/4" PISTOL DRILL

REVISED BUL 54-06-1003 DATE July '72

Catalog No. 0160

Starting Serial No. **92-3024**

WIRING INSTR. **58-01-0010**

Both Model and Serial No. must be furnished to obtain correct parts.

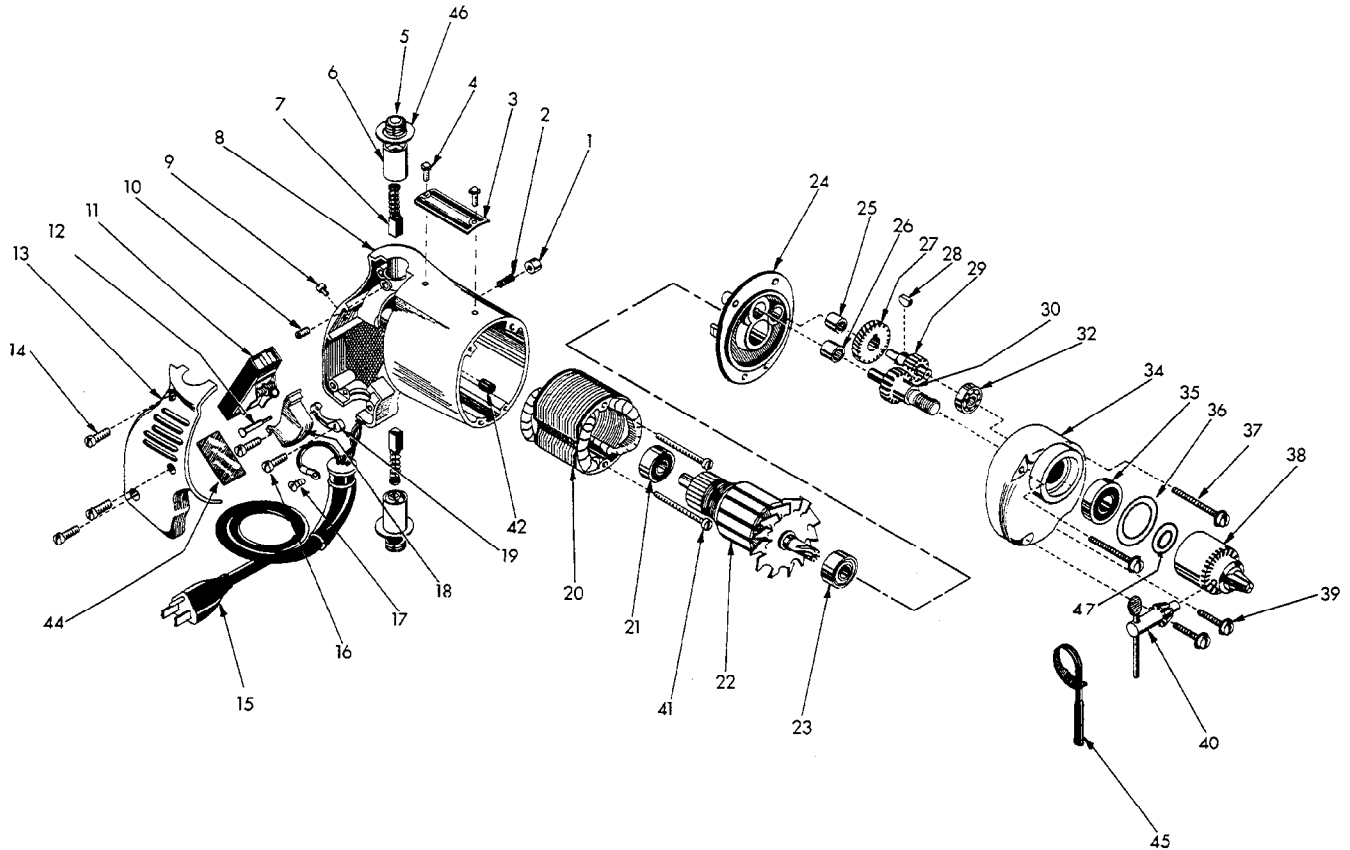


FIG.	PART NO.	DESCRIPTION OF PART	NO.REQ.	FIG.	PART NO.	DESCRIPTION OF PART	NO.REQ.
1	42-42-0061	Trigger Lock Button		23	02-04-0880	Armature Ball Bearing	
2	40-50-1200	Trigger Lock Spring		24	28-28-0221	Diaphragm	
★ 3	12-99-0020	Name Plate		25	02-50-1210	Needle Bearing	
4	06-85-0200	Name Plate Screw	(2)	26	02-50-1640	Needle Bearing	
5	23-44-0020	Brush Retaining Cap	(2)	27	32-40-1041	Intermediate Gear	
6	22-22-0050	Brush Holder Assy.	(2)	28	06-42-0400	Woodruff Key	
7	22-18-0090	Carbon Brush Assy.	(2)	29	36-66-1451	Intermediate Shaft	
8	28-50-4447	Motor Housing (Incl. item 1,2,12, 13,14 & 42)		30	32-75-1341	Spindle With Gear	
9	06-81-5800	6-32x5/16 Fil.Hd.Sems		32	02-04-0640	Intermediate Shaft Ball Bearing	
10	06-83-2430	10-32x¼ Skt. Hd. Set Screw	(2)	★ 34	28-14-0363	Gear Case	
11	23-66-0280	Switch		35	02-04-1020	Ball Bearing	
	06-97-1800	Switch Lock Washers	(4)	★ 36	34-80-1400	Retaining Ring	
12	44-70-0071	Trigger Lock Shaft		★ 37	06-81-6575	8-32x1-5/8 Fil.Hd. Sems	(2)
13	28-20-3002	Handle Cover		38	48-66-0260	Chuck	
14	06-81-6150	8-32x½ Fil.Hd.Sems Handle Cover Srs.	(3)	★ 39	06-81-6350	8-32 x 1 Fil.Hd. Sems	(2)
15	22-64-0170	Cord Set		40	48-66-3200	Chuck Key	
16	06-81-6150	8-32x½ Fil. Hd. Sems Cord Clamp Scrs.	(2)	41	06-81-5950	6-32x1-7/8 Fil. Hd. Field Screws	(2)
17	06-81-8625	Ground Screw		42	45-30-0060	Ball Bearing Ret. Slug	
18	31-92-0102	Switch Trigger		44	23-16-0265	Switch Insulator	
19	28-17-0400	Cord Clamp		45	48-66-4080	Key Holder	
20	18-22-1030	Field Assy.		★ 46	23-86-0105	Insulating Washer	(2)
21	02-04-0740	Armature Ball Bearing (Comm. End)		★ 47	45-88-0080	Chuck Washer	
22	16-22-1120	Armature Assy.					