



SERVICE PARTS LIST

BUL. 54-06-1003

1/4" PISTOL DRILL

REVISED BUL. 54-06-1003 DATE Aug. '70

Catalog No. 0160

Starting Serial No. **92-2177**

WIRING INSTR. **58-01-0010**

Both Model and Serial No. must be furnished to obtain correct parts.

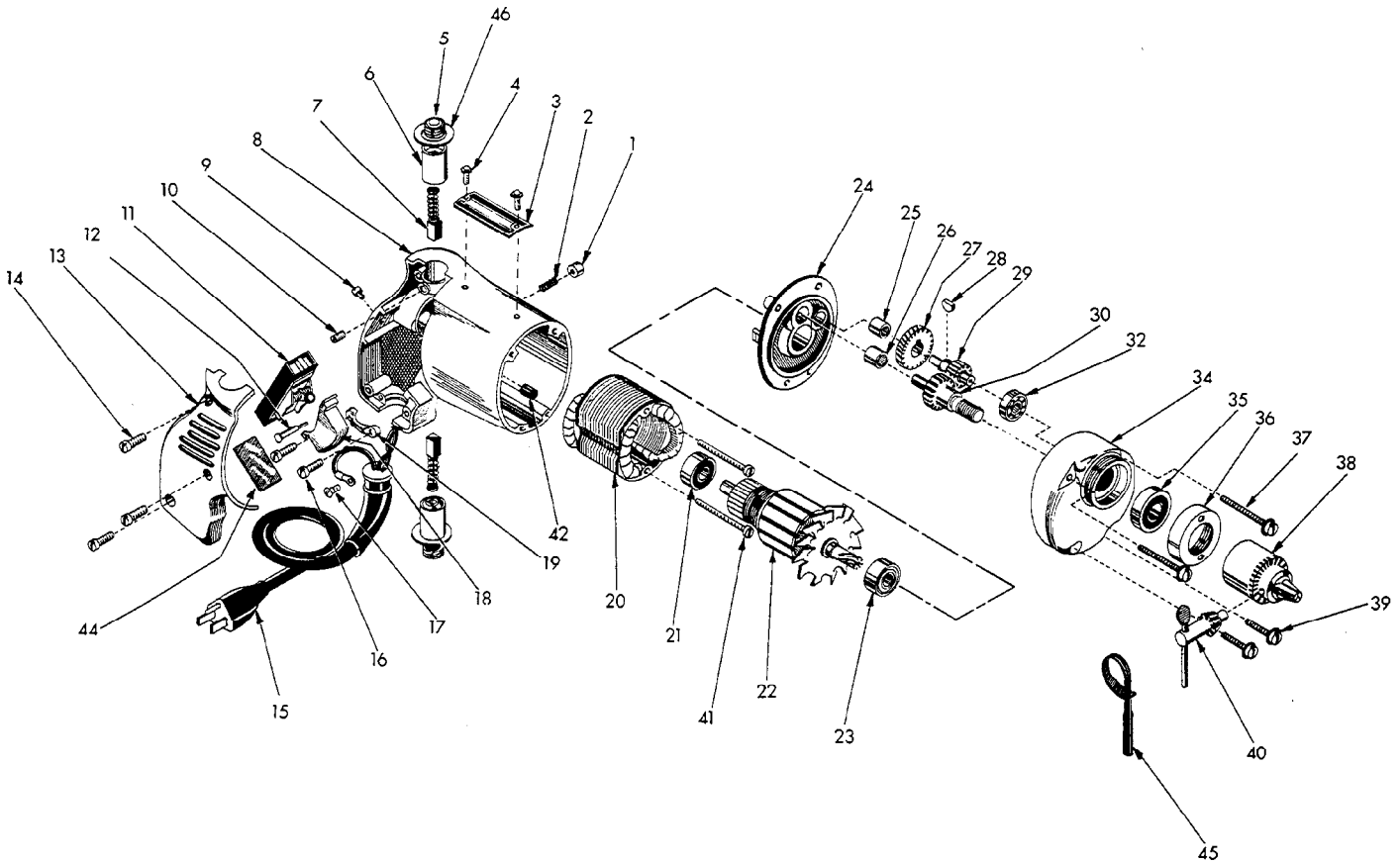


FIG.	PART NO.	DESCRIPTION OF PART	NO.REQ.
1	42-42-0061	Trigger Lock Button	
2	40-50-1200	Trigger Lock Spring	
3	12-98-0600	Name Plate	
★4	06-85-0200	Name Plate Screw	(2)
5	23-44-0020	Brush Retaining Cap	(2)
6	22-22-0050	Brush Holder Assy.	(2)
7	22-18-0090	Carbon Brush Assy.	(2)
★8	28-50-4447	Motor Housing (Incl. item 1,2,12,13,14 & 42)	
9	06-81-5800	6-32x5/16 Fil.Hd.Sems Switch Mtg.Scr.	
★10	06-83-2430	10-32x1/4 Skt. Hd. Set Screw	(2)
11	23-66-0280	Switch	
★	06-97-1800	Switch Lock Washers	(4)
12	44-70-0071	Trigger Lock Shaft	
13	28-20-3002	Handle Cover	
14	06-81-6150	8-32x1/2 Fil.Hd.Sems Handle Cover Srs. (3)	
15	22-64-0170	Cord Set	
16	06-81-6150	8-32x1/2 Fil. Hd. Sems Cord Clamp Srs. (2)	
17	06-81-8625	Ground Screw	
★18	31-92-0102	Switch Trigger	
19	28-17-0400	Cord Clamp	
20	18-22-1030	Field Assy.	
21	02-04-0740	Armature Ball Bearing (Comm. End)	
22	16-22-1120	Armature Assy.	

FIG.	PART NO.	DESCRIPTION OF PART	NO.REQ.
23	02-04-0880	Armature Ball Bearing (Pinion End)	
24	28-28-0221	Diaphragm	
25	02-50-1210	Needle Bearing	
26	02-50-1640	Needle Bearing	
27	32-40-1041	Intermediate Gear	
28	06-42-0400	Woodruff Key	
29	36-66-1451	Intermediate Shaft	
30	32-75-1341	Spindle With Gear	
32	02-04-0640	Intermediate Shaft Ball Bearing	
34	28-14-0361	Gear Case	
35	02-04-1020	Ball Bearing	
36	42-52-0060	Bearing Cap	
37	06-81-6550	8-32x1 1/2 Fil. Hd. Sems Gear Case Srs. (2)	
38	48-66-0260	Chuck	
39	06-81-6300	8-32x7/8 Fil.Hd.Sems Gear Case Screws(2)	
40	48-66-3200	Chuck Key	
41	06-81-5950	6-32 x 1-7/8 Fil. Hd. Field Screws	(2)
42	45-30-0060	Ball Bearing Ret. Slug	
44	23-16-0265	Switch Insulator	
45	48-66-4080	Key Holder	
46	23-86-0070	Insulating Washer	(2)
47	32-75-1341	Spindle With Gear	