



SERVICE PARTS LIST

BUL. 54-06-1001

1/4" PISTOL DRILL

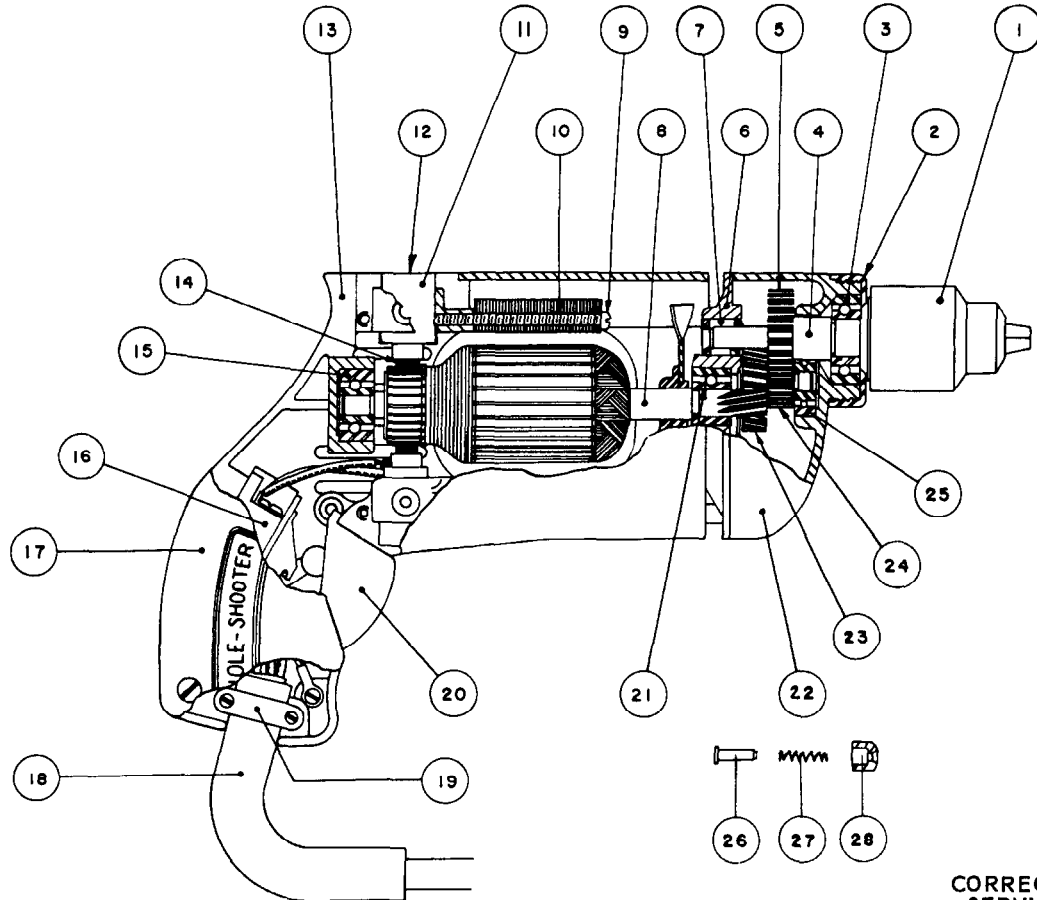
REVISED BUL. 692-2 DATE FEB. '68

Catalog No. 0160

Starting Serial No. 92-1076

WIRING INSTR.

Both Model and Serial No. must be furnished to obtain correct parts.



CORRECTS AND SUPERCEDES SERVICE BULLETIN 692-2 DATED 7-21-55

FIG. PART NO. DESCRIPTION OF PART		ILLUSTRATED PARTS		DESCRIPTION OF PART	
1	48-66-0260	Chuck	15	02-04-0740	Ball Bearing
2	42-52-0060	Bearing Cap	16	23-66-0280	Switch
3	02-04-1020	Spindle Ball Bearing	17	28-20-3001	Handle Cover
4	38-50-1051	See Item 5	18	22-64-0170	Cord Set
5	32-75-1341	Spindle with Gear	19	28-17-0400	Cord Clamp
6	28-28-0221	Diaphragm	20	28-92-0101	Switch Trigger
7	02-50-1640	Needle Bearing	21	02-04-0880	Ball Bearing (Pinion End)
8	16-22-11 20	Armature Assembly	22	28-14-0361	Gear Case
9	06-81-5950	6-32x1-7/8" Fil. Hd. Field Screws (2)	23	32-40-1041	Intermediate Gear
10	18-22-1030	Field Assembly	24	36-66-1351	Intermediate Pinion Shaft
11	22-22-0050	Brush Holder Assembly	25	02-04-0640	Ball Bearing
12	23-44-0020	Brush Retaining Cap (2)	26	44-70-0071	Trigger Lock Shaft
13	28-50-4441	Motor Housing (2)	27	40-50-1200	Trigger Lock Spring
14	22-18-0090	Carbon Brush Assemblies (2)	28	42-42-0061	Trigger Lock Button
MISCELLANEOUS PARTS NOT SHOWN					
PART NO.	DESCRIPTION OF PART	PART NO.	DESCRIPTION OF PART		
06-83-0100	10-32x1/4" Hd'less Slotted Brush Holder Scs (2)	06-81-6150	8-32x1/2" Fil. Hd. Sem Cord Clamp Screws (2)		
02-50-1210	Ball Bearing (1)	06-81-8625	6-32x1/4" (Brass) Rd. Hd. Sem Ground Screw (1)		
06-81-6250	8-32x3/4" Fil. Hd. Sem Handle Cover Screws (2)	06-81-6550	8-32x1-1/2" Fil. Hd. Sem Gear Case Screws (2)		
06-81-5800	6-32x5/16" Fil. Hd. Sem Switch Mtg. Screw (1)	06-81-6300	8-32x7/8" Fil. Hd. Sem Gear Case Screws (2)		
06-42-0400	Woodruff Key (1)	12-98-0600	Name Plate (1)		
48-03-0010	Attachment Plug Adaptor	48-66-3200	Chuck Key (1)		
06-81-6200	8-32x5/8" Fil. Hd. Sem Handle Cover Screw	06-42-0800	Woodruff Key (1)		
06-81-4300	3-48x3/16" Rd. Hd. Name Plate Screws (2)				

Numbers in brackets indicate number required.