



# SERVICE PARTS LIST

**BULLETIN NO.**  
**54-06-0673**

<b>SPECIFY CATALOG NO. AND SERIAL NO. WHEN ORDERING PARTS</b>		REVISED BULLETIN 54-06-0672	DATE Aug. '99
<b>1/4" T.S.C. REV. HOLE-SHOOTER</b>			
<b>CATALOG NO.</b> 0141-1	<b>STARTING SERIAL NO.</b> 708-15500 or 708A	<b>WIRING INSTRUCTION</b> <b>58-01-1361</b>	

**EXAMPLE:**



Component Parts (Small #)  
Are Included When Ordering  
The Assembly (Large #).

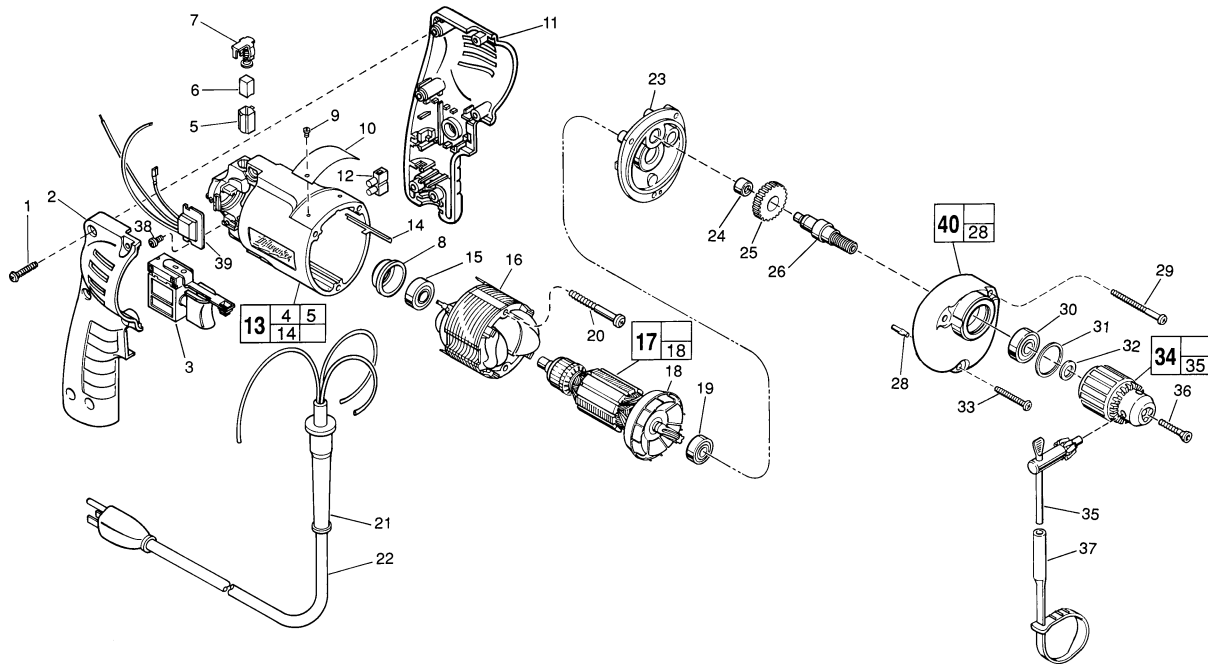


FIG. PART NO.	DESCRIPTION OF PART	NO. REQ.
1	06-82-7284 8-16 x 3/4" Pan Hd. Slit. Plast. T-20	(6)
★ 2	31-44-1745 Right Handle Half	(1)
★ 3	23-66-2145 Speed Control Switch	(1)
4	23-94-6225 Ground Wire Assembly (Not Shown)	(1)
★ 5	22-20-0830 Brush Tube	(2)
6	22-16-0275 Carbon Brush	(2)
7	23-52-1560 Brush Spring Assembly	(2)
8	22-72-0100 Bearing Cup	(1)
9	06-85-0200 Nameplate Screw	(2)
10	12-99-0850 Service Nameplate	(1)
★ 11	31-44-1740 Left Handle Half	(1)
12	22-56-0456 Terminal Block	(1)
★ 13	14-38-0600 Motor Housing Assembly	(1)
14	44-60-0530 Ground Pin	(1)
15	02-04-0645 Ball Bearing	(1)
16	18-11-0060 120 Volt Field	(1)
17	16-10-0460 120 Volt Armature	(1)
18	22-84-0760 Fan Assembly	(1)
19	02-04-0847 Ball Bearing	(1)
20	06-82-7393 7-18 x 2" Pan Hd. Slit. Plast. T-20	(2)
21	44-76-0210 Cord Protector	(1)
★ 22	22-64-1120 Cord Set	(1)
23	28-28-1950 Diaphragm	(1)
24	02-50-1620 Needle Bearing	(1)
25	32-75-3250 Spindle Gear	(1)
26	38-50-5670 Spindle	(1)
28	06-65-0825 1/8 x 1/2" Groove Pin 5	(1)
29	06-82-7344 7-18 x 1-1/2" Pan Hd. Slit. Plast. T-20	(2)

FIG. PART NO.	DESCRIPTION OF PART	NO. REQ.
30	02-04-1020 Ball Bearing	(1)
31	34-80-1400 Retaining Ring	(1)
32	45-88-7940 Chuck Washer	(1)
33	06-82-7308 7-18 x 1-1/8" Pan Hd. Slit. Plast. T-20	(1)
34	48-66-0070 1/4" Chuck	(1)
35	48-66-3200 Chuck Key	(1)
36	45-04-0750 Chuck Screw-L.H. Thread	(1)
37	48-66-4080 Key Holder	(1)
38	06-82-7212 4-20 x 1/4" Pan Hd. Plast. T-10	(1)
★ 39	14-20-0650 Remote Electronic Assembly	(1)
40	14-30-0610 Gear Case Assembly	(1)

**FIG. LUBRICATION**

40 1-1/8 Oz. Type "E" Grease, No. 49-08-4122.  
Place In Center Of Gear Case.

**FIG. NOTES**

- 1 Torque to 18- 28 In./Lbs.
- 20, 29, 33 Torque to 15-20 In./Lbs.
- 36 Torque to 30-50 In./Lbs.
- 38 Torque to 3-5 In./Lbs.
- 8 Place in motor housing before inserting armature.
- 24 Press flush to casting surface.
- 15,19 Seal towards armature.
- 30 Seal towards chuck.

**MILWAUKEE ELECTRIC TOOL CORPORATION**  
13135 W. LISBON RD., BROOKFIELD, WI 53005  
Drwg. 1