



SERVICE PARTS LIST

BUL. 54-06-0802

1/4" PISTOL DRILL

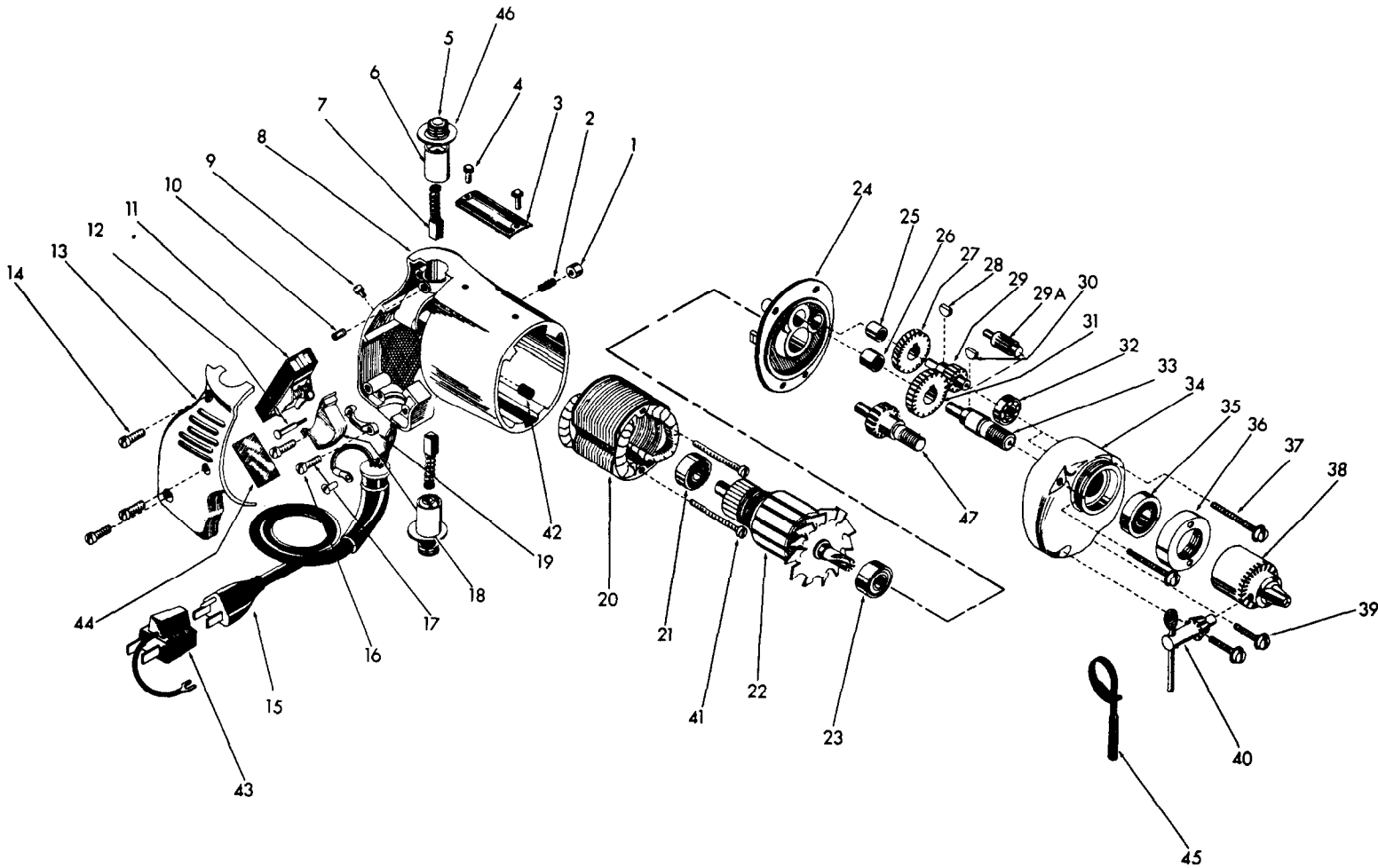
REVISED BUL 691-3 DATE FEB. '68

Catalog No. 0140

Starting Serial No. **91-2922**

WIRING INSTR.

Both Model and Serial No. must be furnished to obtain correct parts.



ILLUSTRATED PARTS

FIG.	PART NO.	DESCRIPTION OF PART	NO.REQ.	FIG.	PART NO.	DESCRIPTION OF PART	NO.REQ.
1	42-42-0061	Trigger Lock Button		24	28-28-0221	Diaphragm	
2	40-50-1200	Trigger Lock Spring		25	02-50-1210	Needle Bearing	
3	12-98-0600	Name Plate		26	02-50-1640	Needle Bearing	
4	06-81-4300	3-48x3/16 Rd.Hd. Name Plate Scr. (2)	(2)	27	32-40-1041	Intermediate Gear	
5	23-44-0020	Brush Retaining Cap	(2)	28	06-42-0400	Woodruff Key	
6	22-22-0050	Brush Holder Assy.	(2)	29	36-66-1351	Intermediate Shaft	
7	22-18-0090	Carbon Brush Assy.	(2)	29A		NOT USED ON THIS TOOL	
8	28-50-4447	Motor Housing		30	06-42-0800	Woodruff Key	
9	06-81-5800	6-32x5/16 Fil.Hd. Sems Switch Mtg. Screw		31	32-75-1281	Spindle Gear	
10	06-83-0100	10-32x1/4 Hd'less Slotted Br. Holder Sr. (2)	(2)	32	02-04-0640	Intermediate Shaft Ball Bearing	
11	23-66-0280	Switch		33	38-50-1051	Spindle	
12	44-70-0071	Trigger Lock Shaft		34	28-14-0361	Gear Case	
13	28-20-3002	Handle Cover		35	02-04-1020	Ball Bearing	
14	06-81-6150	8-32x1/2 Fil.Hd.Sems Handle Cover Srs. (3)	(3)	36	42-52-0060	Bearing Cap	
15	22-64-0170	Cord Set		37	06-81-6550	8-32x1 1/2 Fil.Hd.Sems Gear Case Scr. (2)	(2)
16	06-81-6150	8-32x1/2 Fil.Hd.Sems Cord Clamp Srs. (2)	(2)	38	48-66-0260	Chuck	
17	06-81-8625	6-32x1/4 Rd. Hd. (Brass) Ground Scr.		39	06-81-6300	8-32x7/8 Fil.Hd.Sems Gear Case Scr. (2)	(2)
*18	31-92-0101	Switch Trigger		40	48-66-3200	Chuck Key	
19	28-17-0400	Cord Clamp		41	06-81-5950	6-32 x 1-7/8 Fil. Hd. Field Screws (2)	(2)
*20	18-22-1040	Field Assy.		42	45-30-0060	Ball Bearing Ret. Slug	
21	02-04-0740	Armature Ball Bearing (Comm. End)		43	48-03-0010	Attachment Plug Adaptor	
22	16-22-1120	Armature Assy.		44	23-16-0265	Switch Insulator	
23	02-04-0880	Armature Ball Bearing (Pinion End)		45	48-66-4080	Key Holder	
				46	23-86-0070	Insulating Washer (2)	(2)
				47		NOT USED ON THIS TOOL	