



SERVICE PARTS LIST

BULLETIN NO.
54-06-0074

SPECIFY CATALOG NO. AND SERIAL NO. WHEN ORDERING PARTS		REVISED BULLETIN	DATE
1/4" MAGNUM HOLE-SHOOTER		54-06-0073	Dec.'90
CATALOG NO. 0124-1	STARTING SERIAL NO. 603-18400	WIRING INSTRUCTION 58-01-0074	

00 0

EXAMPLE:
Component Parts (Small #)
Are Included When
Ordering

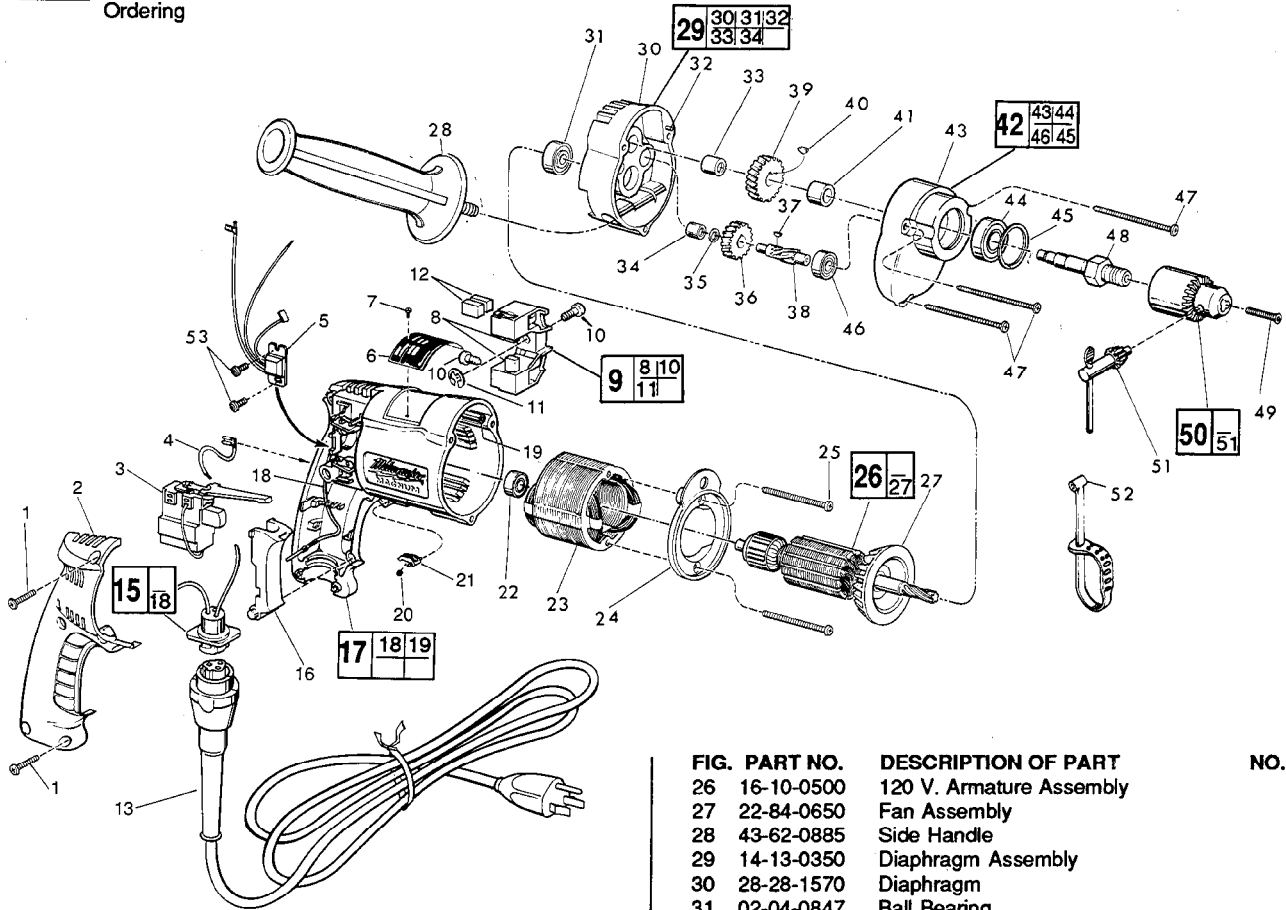


FIG. PART NO.	DESCRIPTION OF PART	NO. REQ.
1	06-95-0185 7-1/8 x 11/16 Pan Hd. Plastite Screw	(5)
2	31-15-0101 Handle Cover	(1)
3	23-66-1665 Trigger Speed Control Reversing Switch	(1)
4	23-94-9635 2-1/4 Lead Assembly	(1)
5	14-20-0245 Remote Electronic Assembly	(1)
6	12-99-0071 Nameplate Blank	(1)
7	06-85-0200 Nameplate Screw	(2)
8	22-16-0275 Carbon Brush	(2)
9	22-22-0350 Brush Holder Assembly	(1)
10	31-75-0011 Brush Holder Screw	(2)
11	34-60-0500 1/4" Ext. Retaining Ring	(1)
12	22-16-0275 Carbon Brush (Spares)	(2)
★ 13	48-76-4008 Cord Set	(1)
15	22-56-0302 Pin Housing Assembly	(1)
16	45-72-0080 Trigger	(1)
17	14-38-0356 Motor Housing Assembly	(1)
18	23-94-9686 Ground Wire Assembly	(1)
19	44-60-0570 Grounding Pin	(1)
20	40-50-0085 Lock Button Spring	(1)
21	42-42-0150 Lock Button	(1)
22	02-04-0645 Ball Bearing	(1)
23	18-10-0045 120 Volt Field	(1)
24	31-05-0065 Baffle	(1)
25	06-95-0140 No. 7 x 1-7/8" Pan Hd. Screw	(2)

FIG. PART NO.	DESCRIPTION OF PART	NO. REQ.
26	16-10-0500 120 V. Armature Assembly	(1)
27	22-84-0650 Fan Assembly	(1)
28	43-62-0885 Side Handle	(1)
29	14-13-0350 Diaphragm Assembly	(1)
30	28-28-1570 Diaphragm	(1)
31	02-04-0847 Ball Bearing	(1)
32	06-65-0825 1/8 x 1/2 Groove Pin No. 5	(1)
33	02-50-2020 Needle Bearing	(1)
34	02-50-1620 Needle Bearing	(1)
35	45-88-7721 Heat Treated Washer	(1)
36	32-40-1815 Intermediate Gear	(1)
37	06-42-0400 Woodruff Key	(1)
38	36-66-4280 Intermediate Pinion	(1)
39	32-75-2960 Spindle Gear	(1)
40	06-42-1200 Woodruff Key	(1)
41	45-36-1100 Spacer	(1)
42	14-30-0335 Gear Case Assembly	(1)
43	28-14-1800 Gear Case	(1)
44	02-04-1230 Ball Bearing	(1)
45	34-80-2300 Retaining Ring	(1)
46	02-04-0640 Ball Bearing	(1)
47	06-95-0150 No. 7 x 2-3/16" Pan Hd. Screw	(3)
★ 48	38-50-5266 Spindle - Double Reduction	(1)
49	45-04-0750 Chuck Retaining Screw	(1)
★ 50	48-66-0070 1/4" Chuck	(1)
51	48-66-3200 Chuck Key	(1)
52	48-66-4080 Key Holder	(1)
53	06-82-7212 4-20x1/4" Pan Hd. Plastite Torx Warning Label	(2)
	10-98-5986	(1)

FIG. LUBRICATION

43 1-1/2 Oz. Type "E" Grease, NO. 49-08-4121.

MILWAUKEE ELECTRIC TOOL CORPORATION
13135 W. LISBON RD., BROOKFIELD, WI 53005