



# SERVICE PARTS LIST

BUL. 54-06-0602

## 1/4" SPEED CONTROL DRILL

REVISED BUL  
54-06-0601

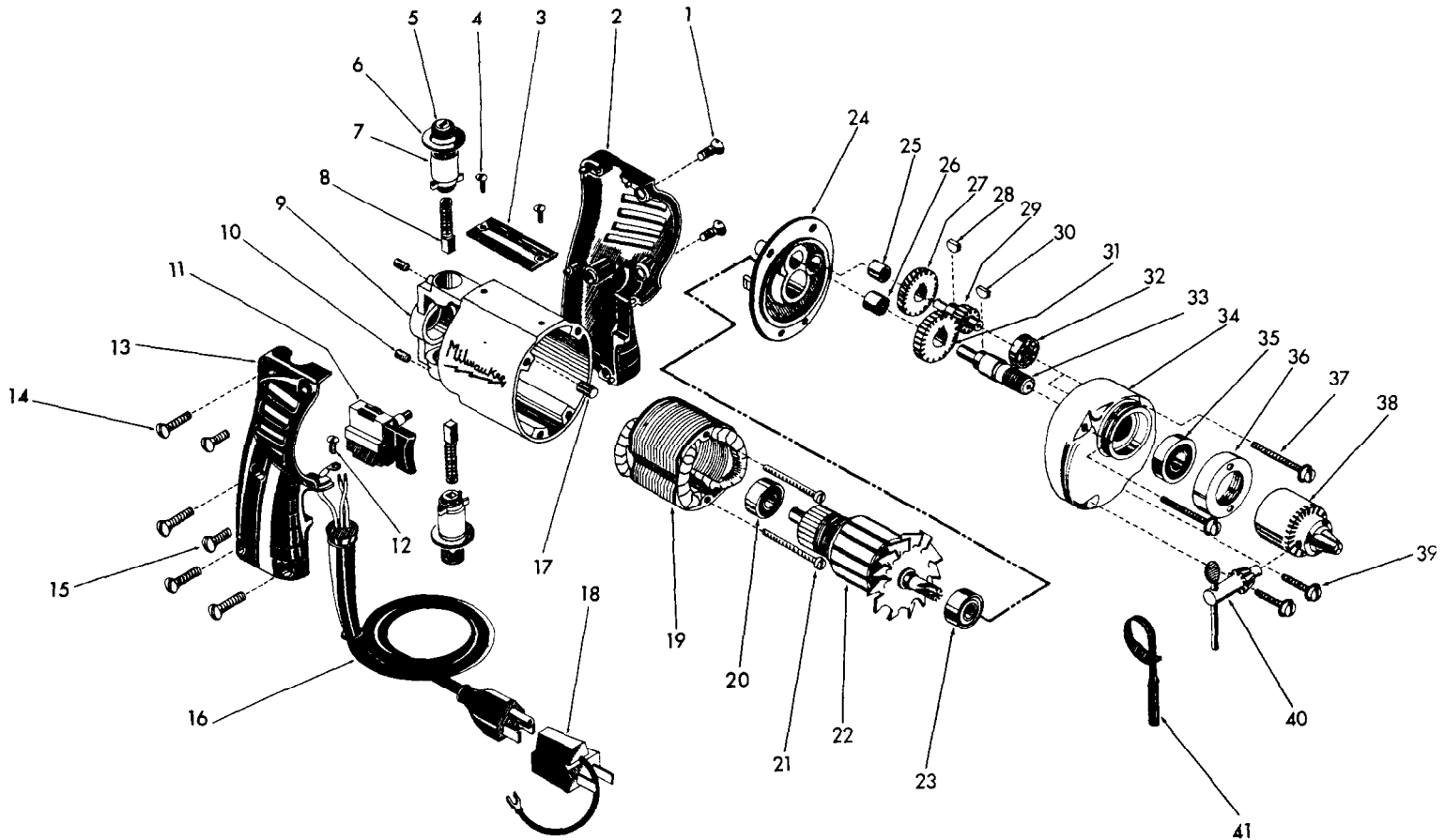
DATE  
Aug. '68

Catalog No. 0122

Starting Serial No. 403-3751

WIRING INSTR.  
58-01-0040

Both Model and Serial No. must be furnished to obtain correct parts.



### ILLUSTRATED PARTS

| FIG. | PART NO.   | DESCRIPTION OF PART                        | NO.REQ. | FIG. | PART NO.   | DESCRIPTION OF PART                       | NO.REQ. |
|------|------------|--|---------|------|------------|---|---------|
| ★1   | 06-81-0450 | 8-32x3/8 Pan Hd. Handle Mtg. Scr.          | (2)     | 22   | 16-22-1231 | Armature Assy.                            |         |
| ★2   | 31-44-0211 | L.H. Handle Half                           |         | 23   | 02-04-0880 | Ball Bearing                              |         |
| 3    | 12-98-0600 | Name Plate                                 |         | 24   | 28-28-0221 | Diaphragm                                 |         |
| 4    | 06-81-4300 | 3-48x3/16 Rd.Hd. Name Plate Screws         | (2)     | 25   | 02-50-1210 | Needle Bearing                            |         |
| 5    | 23-44-0020 | Brush Retaining Cap                        | (2)     | 26   | 02-50-1640 | Needle Bearing                            |         |
| 6    | 23-86-0070 | Insulating Washer                          | (2)     | 27   | 32-40-1041 | Intermediate Gear                         |         |
| 7    | 22-22-0251 | Brush Holder Assy.                         | (2)     | 28   | 06-42-0400 | Woodruff Key                              |         |
| 8    | 22-18-0360 | Carbon Brush Assy.                         | (2)     | 29   | 36-66-1151 | Intermediate Pinion Shaft                 |         |
| 9    | 28-50-6091 | Motor Housing (Incl. item 17)              |         | 30   | 06-42-0800 | Woodruff Key                              |         |
| 10   | 06-83-0100 | 10-32x1/4 Hd'less Slotted Br.Hd. Scrs.     | (2)     | 31   | 32-75-1181 | Spindle Gear                              |         |
| 11   | 23-66-0600 | Speed Control Switch                       |         | 32   | 02-04-0640 | Ball Bearing                              |         |
| 12   | 06-81-8625 | 6-32x1/2 (Bronze) Rd. Hd. Ground Scr.      |         | 33   | 38-50-1051 | Spindle                                   |         |
| ★13  | 31-44-0200 | R. H. Handle Half                          |         | 34   | 28-14-0361 | Gear Case Assy.                           |         |
| ★14  | 06-81-0400 | 8-32x3/4 Pan Hd. Handle Mtg. Scr.          | (4)     | 35   | 02-04-1020 | Ball Bearing                              |         |
| ★15  | 06-81-0450 | 8-32x3/8 Pan Hd. Handle Mtg. Scr.          | (2)     | 36   | 42-52-0060 | Bearing Cap                               |         |
| 16   | 22-64-0450 | Cord Set                                   |         | 37   | 06-81-6550 | 8-32 x 1 1/2 Fil.Hd. Sems Gear Case Scrs. | (2)     |
| 17   | 45-30-0120 | Ball Bearing Ret. Slug                     |         | 38   | 48-66-0260 | Chuck                                     |         |
| 18   | 48-03-0010 | Attachment Plug Adaptor (Except in Canada) |         | 39   | 06-81-6300 | 8-32 x 7/8 Fil.Hd. Sems Gear Case Scrs.   | (2)     |
| 19   | 18-22-1121 | Field                                      |         | 40   | 48-66-3200 | Chuck Key                                 |         |
| 20   | 02-04-0740 | Ball Bearing                               |         | 41   | 48-66-4080 | Key Holder                                |         |
| 21   | 06-81-5950 | 6-32 x 1-7/8 Fil.Hd. Field Screws          | (2)     |      |            |   |         |