



# SERVICE PARTS LIST

## 1/4" PISTOL DRILL

**Catalog No. 0121**

Starting Serial No. **377-4618**

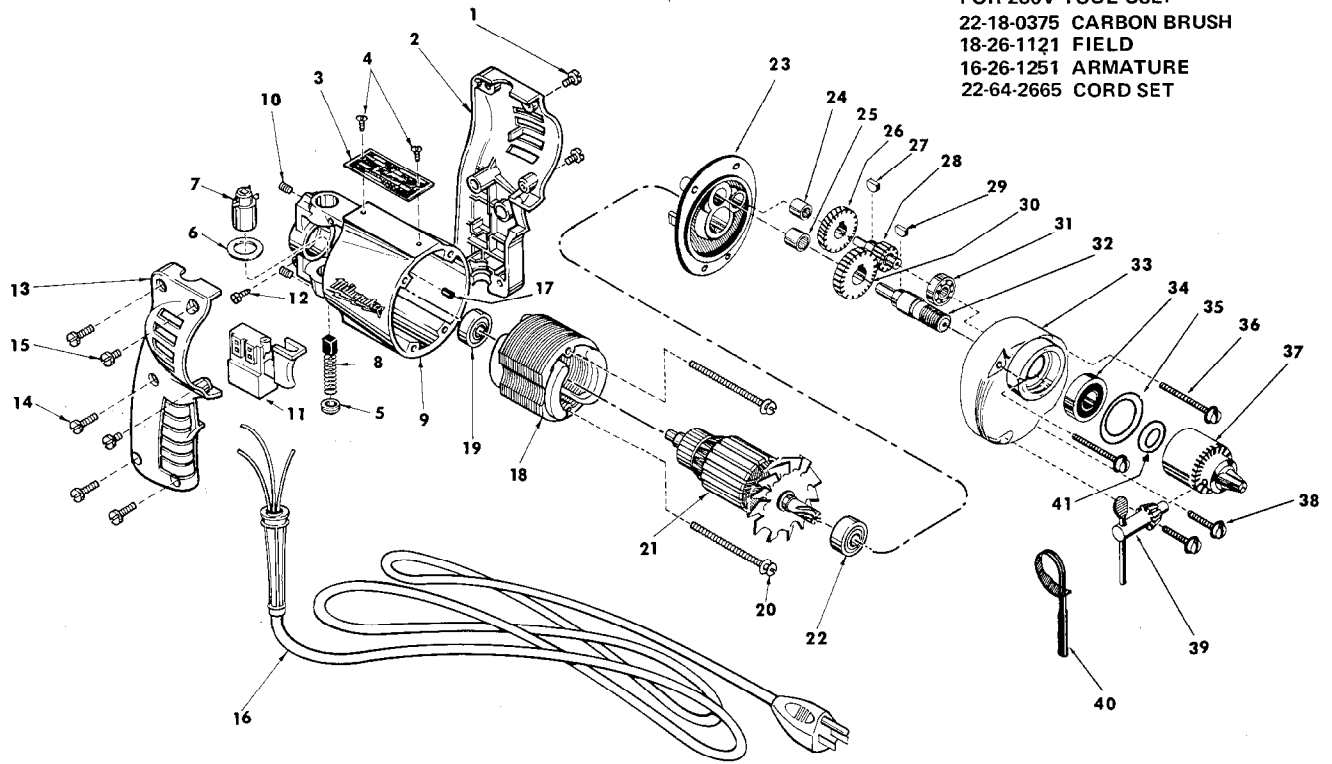
Specify Catalog and Serial No. when ordering parts

**BUL. 54-06-0504**

REVISED BUL. 54-06-0503      DATE Sept. '74

WIRING INSTRUCTIONS  
**58-01-0646**

2000 R.P.M.



FOR 230V TOOL USE:  
22-18-0375 CARBON BRUSH  
18-26-1121 FIELD  
16-26-1251 ARMATURE  
22-64-2665 CORD SET

FIG.	PART NO.	DESCRIPTION OF PART	NO.REQ.	FIG.	PART NO.	DESCRIPTION OF PART	NO.REQ.
	1	06-81-0450 8-32x3/8 Pan Hd. Screw	(2)	22	02-04-0880	Ball Bearing	(1)
★	2	31-44-0290 L.H. Handle Half	(1)	23	28-28-0221	Diaphragm	(1)
	3	12-99-0020 Nameplate Blank	(1)	24	02-50-1210	Needle Bearing	(1)
	4	06-85-0200 Nameplate Screw	(2)	25	02-50-1640	Needle Bearing	(1)
	5	23-44-0020 Brush Retaining Cap	(2)	26	32-40-1041	Intermediate Gear	(1)
	6	23-86-0105 Insulating Washer	(2)	27	06-42-0400	Woodruff Key	(1)
	7	22-22-0251 Brush Holder Assy.	(2)	28	36-66-1151	Intermediate Pinion Shaft	(1)
★	8	22-18-0155 Carbon Brush Assy.	(2)	29	06-42-0800	Woodruff Key	(1)
	9	28-50-6091 Motor Housing (Incl. Fig. No. 17)	(1)	30	32-75-1181	Spindle Gear	(1)
	10	06-83-2430 10-32x1/4 Soc. Hd. Set Screw	(2)	31	02-04-0640	Ball Bearing	(1)
★	11	23-66-0515 Switch	(1)	32	38-50-1051	Spindle	(1)
	12	06-81-8625 Ground Screw	(1)	33	28-14-0363	Gear Case	(1)
★	13	31-44-0280 R.H. Handle Half	(1)	34	02-04-1020	Ball Bearing	(1)
	14	06-81-0400 8-32x3/4 Pan Hd. Screw	(4)	35	34-80-1400	Retaining Ring	(1)
	15	06-81-0450 8-32x3/8 Pan Hd. Screw	(2)	36	06-81-6575	8-32x1-5/8 Fil. Hd. Sems Screw	(2)
★	16	22-64-0665 Cord Set	(1)	37	48-66-0260	Chuck	(1)
	17	45-30-0120 Ball Bearing Ret. Slug	(1)	38	06-81-6350	8-32x1 Fil. Hd. Sems Screw	(2)
	18	18-22-1121 Field	(1)	39	48-66-3200	Chuck Key	(1)
	19	02-04-0740 Ball Bearing	(1)	40	48-66-4080	Key Holder	(1)
	20	06-81-5950 6-32x1-7/8 Fil. Hd. Screw	(2)	41	45-88-0080	Chuck Washer	(1)
	21	16-22-1251 Armature Assy.	(1)	★ 42	12-98-7081	Caution Plate (Not Shown)	(1)