



SERVICE PARTS LIST

BUL. 54-06-0502

1/4" PISTOL DRILL

REVISED BUL 54-06-0502 DATE March '70

Catalog No. 0121

Starting Serial No. **377-2546**

WIRING INSTR. **58-01-0050**

Both Model and Serial No. must be furnished to obtain correct parts.

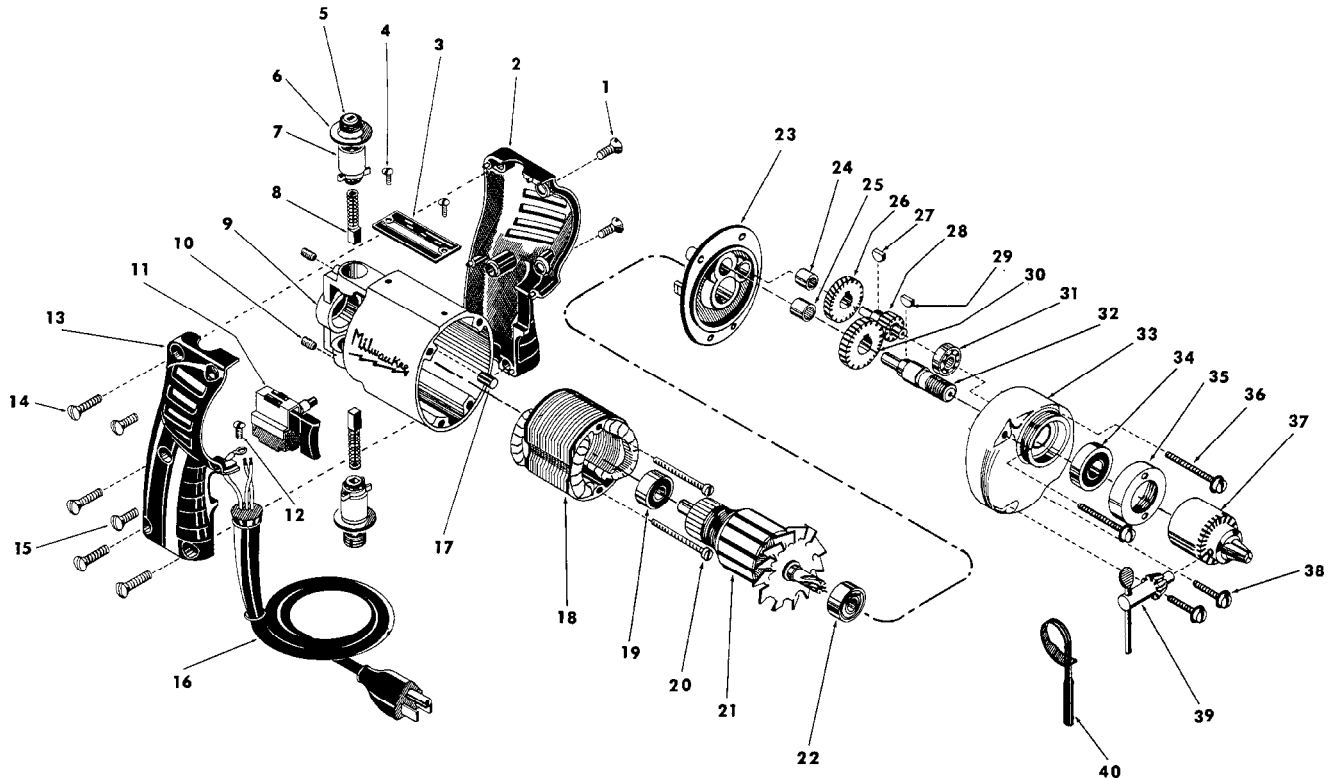


FIG.	PART NO.	DESCRIPTION OF PART	NO.REQ.	FIG.	PART NO.	DESCRIPTION OF PART	NO.REQ.
1	06-81-0450	8-32x3/8 Pan Hd. Handle Mtg. Scr.	(2)	21	16-22-1231	Armature Assy.	
2	31-44-0211	L.H. Handle Half		22	02-04-0880	Ball Bearing	
3	12-98-0600	Name Plate		23	28-28-0221	Diaphragm	
★ 4	06-77-0625	6X1/4 Drive-in Screw	(2)	24	02-50-1210	Needle Bearing	
5	23-44-0020	Brush Retaining Cap	(2)	25	02-50-1640	Needle Bearing	
6	23-86-0070	Insulating Washer	(2)	26	32-40-1041	Intermediate Gear	
7	22-22-0251	Brush Holder Assy. (inc. fig. 6)	(2)	27	06-42-0400	No. 201 Woodruff Key	
8	22-18-0360	Carbon Brush Assy.	(2)	28	36-66-1151	Intermediate Pinion Shaft	
9	28-50-6091	Motor Housing Assy. (Incl. Item 17)		29	06-42-0800	Woodruff Key	
★ 10	06-83-2430	10-32x1/4 Hd. less Brush Holder Scr.	(2)	30	32-75-1181	Spindle Gear	
11	23-66-0510	Switch		31	02-04-0640	Intermediate Shaft Ball Bearing	
12	06-81-8625	6-32x1/4 (Brass) Rd. Hd. Ground Scr.		32	38-50-1051	Spindle	
13	31-44-0200	R.H. Handle Half		33	28-14-0361	Gear Case	
14	06-81-0400	8-32x3/4 Pan Hd. Handle Mtg. Scr.	(4)	34	02-04-1020	Ball Bearing	
15	06-81-0450	8-32x3/8 Pan Hd. Handle Mtg. Scr.	(2)	35	45-52-0060	Bearing Cap	
16	22-64-0450	Cord Set		36	06-81-6550	8-32x1 1/2 Fil. Hd. Sems Gear Case Scr.	(2)
17	45-30-0120	Ball Bearing Ret. Slug		37	48-66-0260	Chuck	
18	18-22-1121	Field Assy.		38	06-81-6300	8-32x7/8 Fil. Hd. Sems Gear Case Scr.	(2)
19	02-04-0740	Ball Bearing		39	48-66-3200	Chuck Key	
20	06-81-5950	6-32x1-7/8 Fil. Hd. Field Scr.	(2)	40	48-66-4080	Key Holder	