



SERVICE PARTS LIST

BUL. 54-06-0403

1/4" PISTOL DRILL

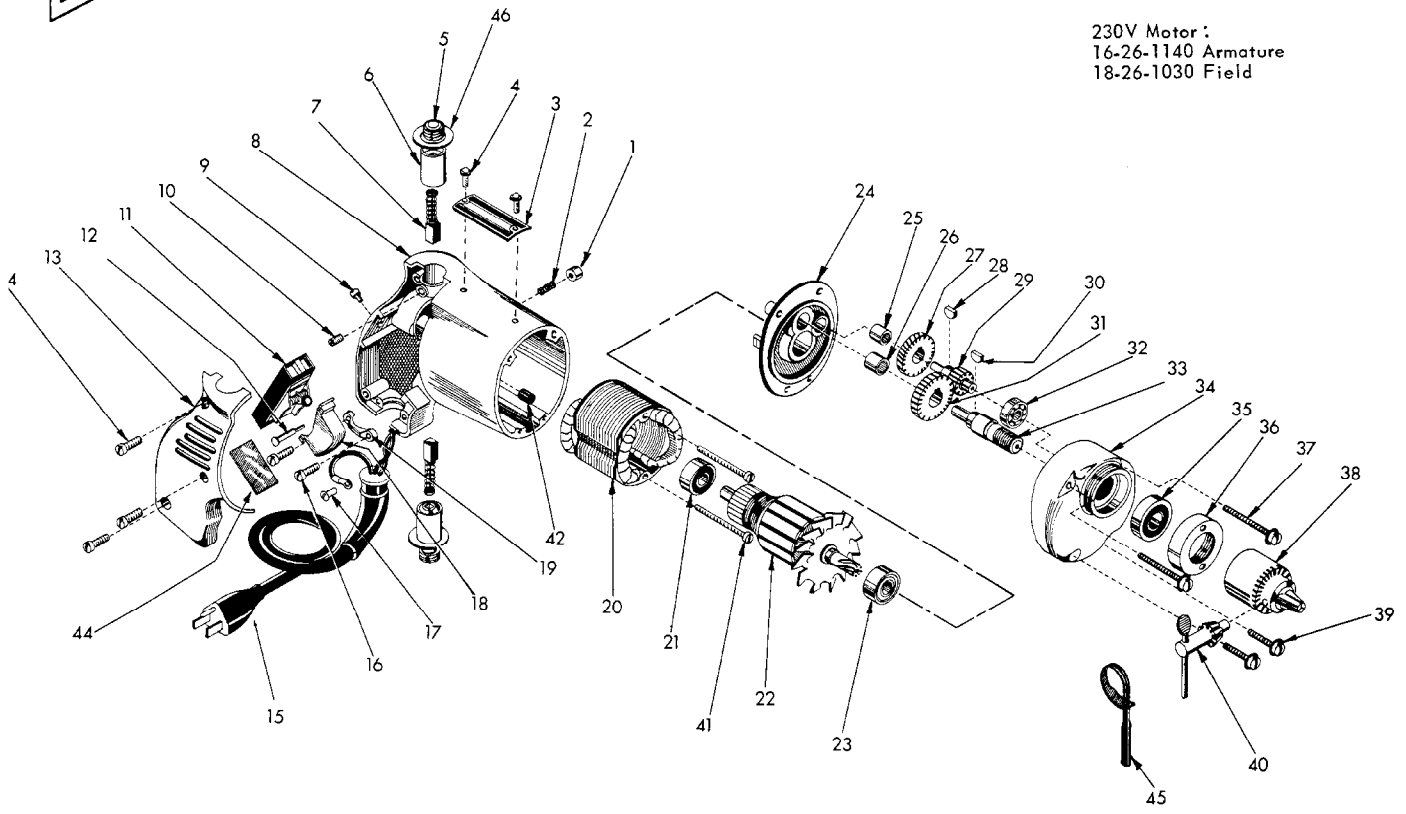
REVISED BUL 54-06-0403 DATE Aug, '70

Catalog No. 0120

Starting Serial No. **90-42986**

WIRING INSTR. **58-01-0010**

Both Model and Serial No. must be furnished to obtain correct parts.



230V Motor :
16-26-1140 Armature
18-26-1030 Field

FIG.	PART NO.	DESCRIPTION OF PART	NO.REQ.
1	42-42-0061	Trigger Lock Button	
2	40-50-1200	Trigger Lock Spring	
3	12-98-0600	Name Plate	
★4	06-85-0200	Name Plate Screw	(2)
5	23-44-0020	Brush Retaining Cap	(2)
6	22-22-0050	Brush Holder Assembly	(2)
7	22-18-0090	Carbon Brush Assembly	(2)
★8	28-50-4447	Motor Housing (Inc. items 1,2,12,13,14 &42)	
9	06-81-5800	6-32x5/16 Fil.Hd. Sems Switch Mtg. Screw	
★10	06-83-2430	10-32x1/4 Skt. Hd. Set Screw	(2)
11	23-66-0280	Switch	
★12	06-97-1800	Switch Lock Washers	(4)
12	44-70-0071	Trigger Lock Shaft	
13	28-20-3002	Handle Cover	
★14	06-81-6150	8-32x1/2 Fil.Hd.Sems Handle Cover Sc.(3)	
15	22-64-0170	Cord Set	
★16	06-81-6150	8-32x1/2 Fil.Hd.Sems Cord Clamp Scr. (2)	
17	06-81-8625	Ground Screw	
18	31-92-0102	Switch Trigger	
19	28-17-0400	Cord Clamp	
20	18-22-1030	Field	
21	02-04-0740	Armature Ball Bearing (Comm. End)	
22	16-22-1120	Armature Assembly	
23	02-04-0880	Armature Ball Bearing (Pinion End)	

FIG.	PART NO.	DESCRIPTION OF PART	NO.REQ.
24	28-28-0221	Diaphragm	
25	02-50-1210	Needle Bearing	
26	02-50-1640	Needle Bearing	
27	32-40-1041	Intermediate Gear	
28	06-42-0400	No. 201 Woodruff Key	
29	36-66-1151	Intermediate Pinion Shaft	
30	06-42-0800	Woodruff Key	
31	32-75-1181	Spindle Gear	
32	02-04-0640	Intermediate Shaft Ball Bearing	
33	38-50-1051	Spindle	
34	28-14-0361	Gear Case	
35	02-04-1020	Ball Bearing	
36	42-52-0060	Bearing Cap	
37	06-81-6550	8-32x1 1/2 Fil.Hd.Sems Gear Case Scrs. (2)	
38	48-66-0260	Chuck	
39	06-81-6300	8-32x7/8 Fil.Hd.Sems Gear Case Scrs. (2)	
40	48-66-3200	Chuck Key	
41	06-81-5950	6-32x1-7/8 Fil.Hd. Field Screws (2)	
42	45-30-0060	Ball Bearing Ret. Slug	
44	23-16-0265	Switch Insulator	
45	48-66-4080	Key Holder	
★46	23-86-0070	Insulating Washer (2)	