



# SERVICE PARTS LIST

BUL.54-06-0401

1/4" PISTOL DRILL

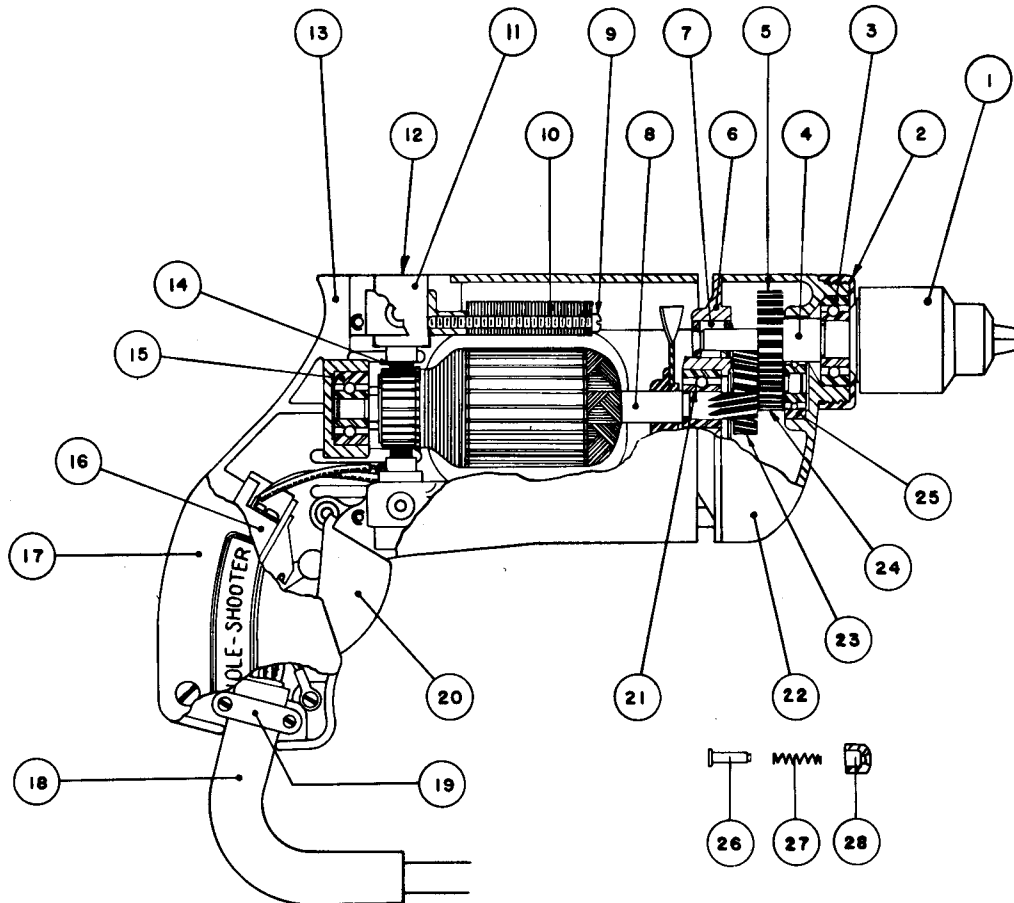
REVISED BUL 690-2 DATE FEB. '68

Catalog No. 0120

Starting Serial No. 90-3410

WIRING INSTR.

Both Model and Serial No. must be furnished to obtain correct parts.



CORRECTS AND SUPERCEDES SERVICE BULLETIN 690-2 DATED 9/15/58

FIG. PART NO. DESCRIPTION OF PART

1	48-66-0260	Chuck
2	42-52-0060	Bearing Cap
3	02-04-1020	Ball Bearing
4	38-50-1051	Spindle
5	32-75-1181	Spindle Gear
6	28-28-0221	Diaphragm
7	02-50-1640	Needle Bearing
8	16-22-1120	Armature Assembly
9	06-81-5950	6-32x1-7/8" Fil.Hd. Field Screws
10	18-22-1040	Field Assembly
11	22-22-0050	Brush Holder Assembly
12	23-44-0020	Brush Retaining Cap
13	28-50-4441	Motor Housing
14	22-18-0090	Carbon Brush Assemblies

ILLUSTRATED PARTS

15	02-04-0740	Ball Bearing	
16	23-66-0280	Switch	
17	28-20-3001	Handle Cover	
18	22-64-0170	Cord Set	
19	28-17-0400	Cord Clamp	
20	28-92-0101	Switch Trigger	
21	02-04-0880	Ball Bearing (Pinion End)	
22	28-14-0361	Gear Case	
23	32-40-1041	Intermediate Gear	
24	36-66-1151	Intermediate Pinion Shaft	
25	02-04-0640	Ball Bearing	
(2)	26	44-70-0071	Trigger Lock Shaft
27	40-50-1200	Trigger Lock Spring	
(2)	28	42-42-0061	Trigger Lock Button

MISCELLANEOUS PARTS NOT SHOWN

PART NO.	DESCRIPTION OF PART	PART NO.	DESCRIPTION OF PART		
06-83-0100	10-32x1/4" Hd'less Slotted Brush Holder Scs.	(2)	06-81-6150	8-32x1/2" Fil.Hd. Sem Cord Clamp Screws	(2)
02-50-1210	Needle Bearing	(1)	06-81-8625	6-32x1/4" (Brass) Rd.Hd. Ground Screw Sem	(1)
06-81-6250	8-32x3/4" Fil.Hd. Sem Handle Cover Screws	(2)	06-81-6550	8-32x1-1/2" Fil.Hd. Gear Case Screws	(2)
06-81-5800	6-32x5/16" Fil.Hd. Sem Switch Mounting Sc.	(1)	06-81-6300	8-32x7/8" Fil.Hd. Sem Gear Case Screws	(2)
06-42-0400	Woodruff Key	(1)	12-98-0600	Name Plate	
48-03-0010	Attachment Plug Adaptor		48-66-3200	Chuck Key	(1)
06-81-6200	8-32x5/8" Fil.Hd. Sem Handle Cover Screw		06-42-0800	Woodruff Key	(1)
06-81-4300	3-48x3/16" Rd.Hd. Name Plate Screws	(2)			